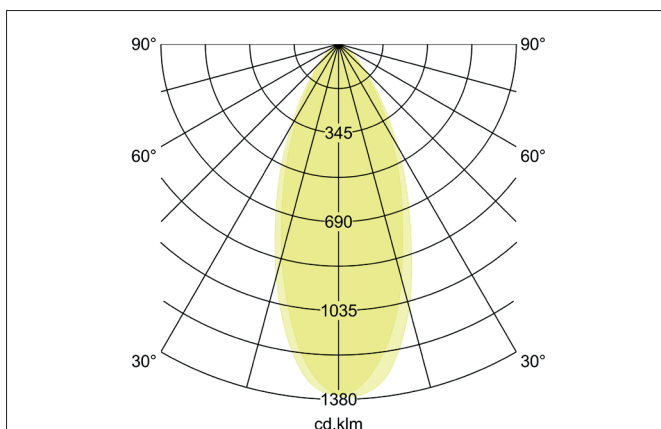
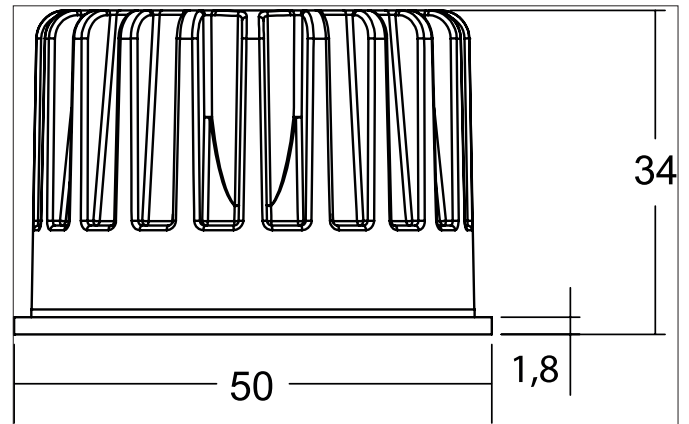


ROTI Set bestehend aus LED-Einsatz 3CCT und Konverter, Phasenabschnitt dimmbar

Article no. 12982503

Light.
For Generations.**Tender**

Set bestehend aus LED-Einsatz 3CCT und Konverter, Phasenabschnitt dimmbar, black / alu matt. Lamp holder: Plug&Play, Material: Aluminium / PMMA / Plastic, Degree of protection: according to DIN EN 60529 IP20, Protection class: (EN 61140) II, Power: 7.5 W, Amount of light sources / fittings: 1 Qty, Colour temperature: from 2.700 K up to 4.000 K, Beam angle: 50°, With control gear: Yes, Dimmable: Yes, Control: Trailing-edge phase.

Farbtemperatur	Lichtstrom	Systemeffizienz
2.700 K	899 lm	124 lm/W
3.000 K	925 lm	123 lm/W
4.000 K	976 lm	131 lm/W

Article data	
Article no.	12982503
GTIN	4255752509752
Series name	ROTI
Short description	Set bestehend aus LED-Einsatz 3CCT und Konverter, Phasenabschnitt dimmbar
Material	Aluminium / PMMA / Plastic
Colour	Black / Alu
Outer diameter	50 mm
Weight	0.140 kg

ROTI Set bestehend aus LED-Einsatz 3CCT und Konverter, Phasenabschnitt dimmbar

Article no. 12982503

Light.
For Generations.

Lighting technology	
Colour temperature	2.700 K / 3.000 K / 4.000 K
Light colour	White
Color Temperature 1	2,700 K
Color Temperature 2	3,000 K
Color Temperature 3	4,000 K
Luminous flux 1	899 lm
Luminous flux 2	925 lm
Luminous flux 3	976 lm
McAdam-Step	McAdam-Step 3
Colour rendering	CRI > 80
Reflector	High-gloss
Beam angle	50°
Light sharing	Symmetric
Adjustable color temperature	Stages

Operating technology of the luminaire	
Article No. of used light source	12929503
Hight	34 mm
Diameter	50 mm
Lamp holder	Plug&Play
Power	6.3 W
Voltage type	DC
Current	350 mA
Lamp	LED
Protection class	III
Degree of protection	IP20
Bulb change possible	The light source of this luminaire may only be replaced by the manufacturer or a service technician commissioned by him or a similarly qualified person.

Operating technology of driver	
Article No. of used driver	17663000
Length	110 mm
Width	50 mm
Hight	19 mm
AC nominal voltage min	198 V
AC nominal voltage max	264 V
Frequency max	60 Hz
Dimmable	Yes
Control	Trailing-edge phase
Starting current	1A (15,2 µs)
Power min	2.8 W
Power	7 W
Output current	350 mA
Degree of protection	IP20
Protection class	II
Flicker-free	Yes

Packing data	
Gross weight	0.19 kg
Length of packaging	100 mm
Packaging width	100 mm
Packaging hight	100 mm
Disposal at end of life	This product must not be disposed of with household waste. You are obliged, to dispose of such electrical waste separately. By disposing of electrical waste and other old or defective electronics separately, you support recycling or other forms of re-use. In that way you help to take care and to avoid that harmful substances get into the environment.

**ROTI Set bestehend aus LED-Einsatz 3CCT und Konverter, Phasen-
abschnitt dimmbar**

Article no. 12982503

Light.
For Generations.