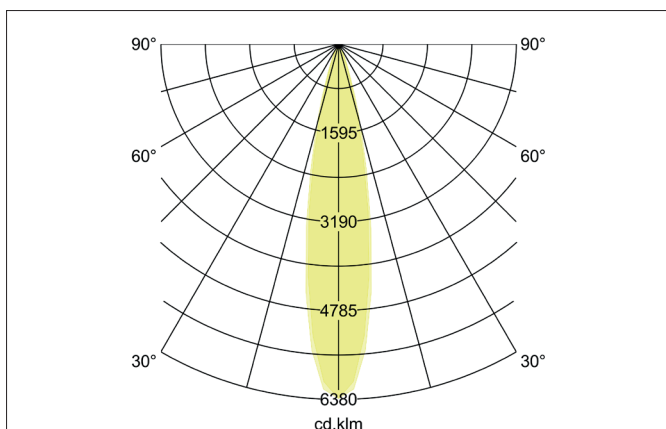
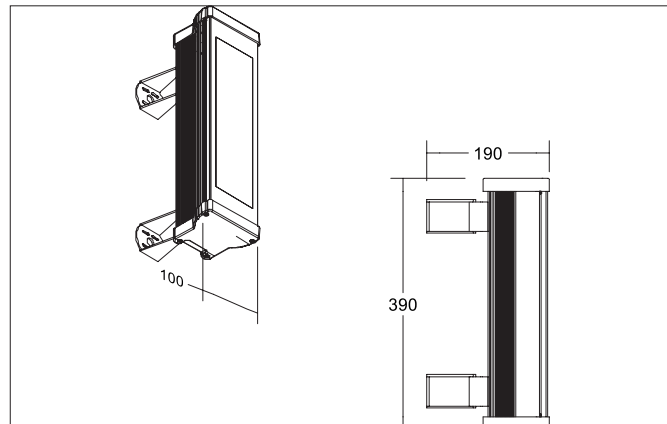


**LAVILO II LED Wallwasher, IP66**

Article no. 60872647

Light.  
For Generations.**Tender**

LED Wallwasher, IP66, Rectangular. Luminaire length 390.0 mm, Luminaire width 114.0 mm, Hight 97.0 mm Weight 4.0 kg, with rotattions-symmetrical, deep, wide distributed light intensity. optimal light distribution due to a glass transparent cover. Luminous flux 2.620 lm, Power 21 W, Light colour warm white, Correlated color temperature (CCT) 2.700 K, Colour rendering index CRI > 80, Housing material: Aluminium / Glass, Colour: Titanium, Permissible ambient temperature (ta): -25 to +50°, Protection class (EN 61140): I, Degree of protection (DIN EN 60529): IP66, shock resistance according to IEC62262: IK08 .With electronic driver, DALI dimmable.

| Article data      |  |
|-------------------|--|
| Article no.       | 60872647   |
| GTIN              | 4251433992820  |
| Series name       | LAVILO II  |
| Short description | LED Wallwasher, IP66   |
| Material          | Aluminium / Glass  |
| Colour            | Titanium   |
| Type of surface   | Matt   |
| Shape             | Rectangular  |
| Length            | 390 mm   |
| Width             | 114 mm   |
| Hight             | 97 mm  |
| Scope of delivery | incl. converter for connection to 230 V mains voltage, DALI. |
| Weight            | 4.000 kg   |

**LAVILO II LED Wallwasher, IP66**

Article no. 60872647

Light.  
For Generations.

| Lighting technology |               |
|---------------------|---------------|
| Colour temperature  | 2.700 K       |
| Light colour        | White         |
| Light output        | Direct        |
| Luminous flux       | 2,620 lm      |
| System efficiency   | 125 lm/W      |
| McAdam-Step         | McAdam-Step 5 |
| Colour rendering    | CRI > 80      |
| Luminaire optics    | Lens          |
| Beam angle          | 20°           |
| Light sharing       | Symmetric     |

| Operating technology of the luminaire |  |
|---------------------------------------|--|
| System output                         | 21 W   |
| Voltage type                          | AC   |
| AC nominal voltage max                | 230 V  |
| Frequenz max.                         | 50 Hz  |
| Frequenz min.                         | 50 Hz  |
| Lamp                                  | LED  |
| Lamp holder                           | Without fitting  |
| Protection class                      | I  |
| Degree of protection                  | IP66   |
| Ambient temperature                   | -25 bis +50°   |
| Control                               | DALI   |
| Bulb change possible                  | The light source of this luminaire may only be replaced by the manufacturer or a service technician commissioned by him or a similarly qualified person. |
| Rated life time L90/B10 at 25 °C      | 50.000 h   |

| Mounting technology         |                   |
|-----------------------------|-------------------|
| Mounting method             | Surface mounting  |
| Place of installation       | Wall-mounted      |
| Adjustability               | Pivoted           |
| Impact resistance           | IK08              |
| stamp                       | UKCA              |
| Material cover              | Glass transparent |
| Suitable for through-wiring | No                |

| Packing data            |   |
|-------------------------|---|
| Gross weight            | 4.5 kg  |
| Length of packaging     | 440 mm  |
| Packaging width         | 160 mm  |
| Packaging height        | 140 mm  |
| Disposal at end of life | This product must not be disposed of with household waste. You are obliged, to dispose of such electrical waste separately.<br>By disposing of electrical waste and other old or defective electronics separately, you support recycling or other forms of re-use. In that way you help to take care and to avoid that harmful substances get into the environment. |