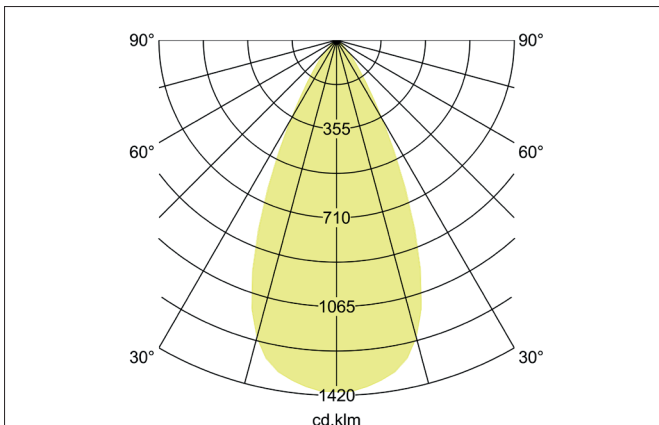
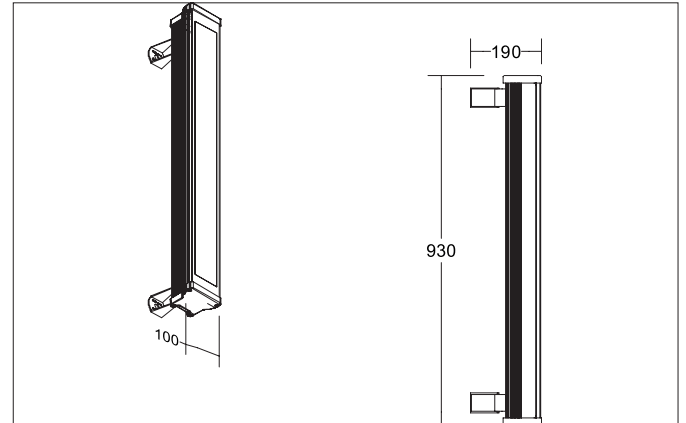


LAVILO II LED Wallwasher, IP66

Article no. 60895643

Light.
For Generations.



Tender

LED Wallwasher, IP66, Rectangular. Luminaire length 930.0 mm, Luminaire width 114.0 mm, Hight 97.0 mm Weight 6.6 kg, with rotattions-symmetrical, deep, wide distributed light intensity. optimal light distribution due to a glass transparent cover. Luminous flux 7.830 lm, Power 63 W, System Efficiency 124 lm/W, Light colour warm white, Correlated color temperature (CCT) 3.000 K, Colour rendering index CRI > 80, Housing material: Aluminium / Glass, Colour: Titanium, Permissible ambient temperature (ta): -25 to +50°, Protection class (EN 61140): I, Degree of protection (DIN EN 60529): IP66, shock resistance according to IEC62262: IK08 .With electronic driver, DALI dimmable.

| Article data | |
|-------------------|--|
| Article no. | 60895643 |
| GTIN | 4251433993100 |
| Series name | LAVILO II |
| Short description | LED Wallwasher, IP66 |
| Material | Aluminium / Glass |
| Colour | Titanium |
| Type of surface | Matt |
| Shape | Rectangular |
| Length | 930 mm |
| Width | 114 mm |
| Hight | 97 mm |
| Scope of delivery | incl. converter for connection to 230 V mains voltage, DALI. |
| Weight | 6.600 kg |

LAVILO II LED Wallwasher, IP66

Article no. 60895643

Light.
For Generations.

| Lighting technology | |
|---------------------|---------------|
| Colour temperature | 3.000 K |
| Light colour | White |
| Light output | Direct |
| Luminous flux | 7,830 lm |
| System efficiency | 124 lm/W |
| McAdam-Step | McAdam-Step 5 |
| Colour rendering | CRI > 80 |
| Luminaire optics | Lens |
| Beam angle | 50° |
| Light sharing | Symmetric |

| Operating technology of the luminaire | |
|---------------------------------------|--|
| System output | 63 W |
| Voltage type | AC |
| AC nominal voltage max | 230 V |
| Frequenz max. | 50 Hz |
| Frequenz min. | 50 Hz |
| Lamp | LED |
| Lamp holder | Without fitting |
| Protection class | I |
| Degree of protection | IP66 |
| Ambient temperature | -25 bis +50° |
| Control | DALI |
| Bulb change possible | The light source of this luminaire may only be replaced by the manufacturer or a service technician commissioned by him or a similarly qualified person. |
| Rated life time L90/B10 at 25 °C | 50.000 h |

| Mounting technology | |
|-----------------------------|-------------------|
| Mounting method | Surface mounting |
| Place of installation | Wall-mounted |
| Adjustability | Pivoted |
| Impact resistance | IK08 |
| stamp | UKCA |
| Material cover | Glass transparent |
| Suitable for through-wiring | No |

| Packing data | |
|-------------------------|---|
| Gross weight | 7.1 kg |
| Length of packaging | 980 mm |
| Packaging width | 160 mm |
| Packaging height | 140 mm |
| Disposal at end of life | This product must not be disposed of with household waste. You are obliged, to dispose of such electrical waste separately. By disposing of electrical waste and other old or defective electronics separately, you support recycling or other forms of re-use. In that way you help to take care and to avoid that harmful substances get into the environment. |