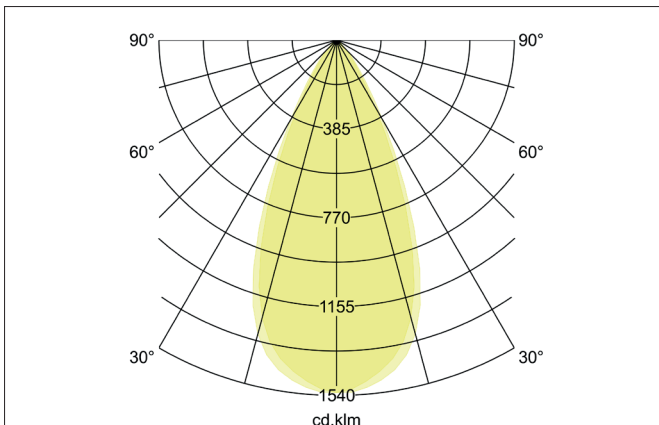
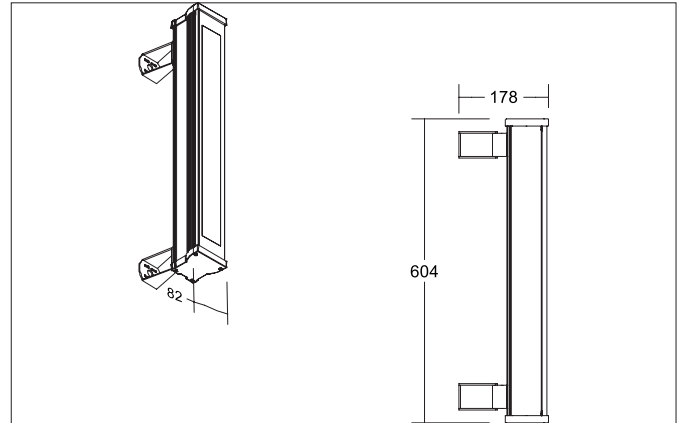


LAVILO I LED Wallwasher, IP66
Article no. 60845644Light.
For Generations.**Tender**

LED Wallwasher, IP66, Rectangular. Luminaire length 604.0 mm, Luminaire width 82.0 mm, Hight 86.0 mm Weight 3.2 kg, with rotations-symmetrical, deep, wide distributed light intensity. optimal light distribution due to a glass transparent cover. Luminous flux 2.820 lm, Power 22 W, Light colour neutral white, Correlated color temprature (CCT) 4.000 K, Colour rendering index CRI > 80, Housing material: Aluminium / Glass, Colour: Titanium, Permissible ambient temperature (ta): -25 to +50°, Protection class (EN 61140): I, Degree of protection (DIN EN 60529): IP66, shock resistance according to IEC62262: IK08 .With electronic driver, DALI dimmable.

| Article data | |
|-------------------|--|
| Article no. | 60845644 |
| GTIN | 4251433993797 |
| Series name | LAVILO I |
| Short description | LED Wallwasher, IP66 |
| Material | Aluminium / Glass |
| Colour | Titanium |
| Type of surface | Matt |
| Shape | Rectangular |
| Length | 604 mm |
| Width | 82 mm |
| Hight | 86 mm |
| Scope of delivery | incl. converter for connection to 230 V mains voltage, DALI. |
| Weight | 3.200 kg |

LAVILO I LED Wallwasher, IP66

Article no. 60845644

Light.
For Generations.

| Lighting technology | |
|---------------------|---------------|
| Colour temperature | 4.000 K |
| Light colour | White |
| Light output | Direct |
| Luminous flux | 2,820 lm |
| System efficiency | 128 lm/W |
| McAdam-Step | McAdam-Step 5 |
| Colour rendering | CRI > 80 |
| Luminaire optics | Lens |
| Beam angle | 50° |
| Light sharing | Symmetric |

| Operating technology of the luminaire | |
|---------------------------------------|--|
| System output | 22 W |
| Voltage type | AC |
| AC nominal voltage max | 230 V |
| Frequenz max. | 50 Hz |
| Frequenz min. | 50 Hz |
| Lamp | LED |
| Lamp holder | Without fitting |
| Protection class | I |
| Degree of protection | IP66 |
| Ambient temperature | -25 bis +50° |
| Control | DALI |
| Bulb change possible | The light source of this luminaire may only be replaced by the manufacturer or a service technician commissioned by him or a similarly qualified person. |
| Rated life time L90/B10 at 25 °C | 50.000 h |

| Mounting technology | |
|-----------------------------|-------------------|
| Mounting method | Surface mounting |
| Place of installation | Wall-mounted |
| Adjustability | Pivoted |
| Impact resistance | IK08 |
| stamp | UKCA |
| Material cover | Glass transparent |
| Suitable for through-wiring | No |

| Packing data | |
|-------------------------|---|
| Gross weight | 3.7 kg |
| Length of packaging | 654 mm |
| Packaging width | 140 mm |
| Packaging height | 140 mm |
| Disposal at end of life | This product must not be disposed of with household waste. You are obliged, to dispose of such electrical waste separately. By disposing of electrical waste and other old or defective electronics separately, you support recycling or other forms of re-use. In that way you help to take care and to avoid that harmful substances get into the environment. |