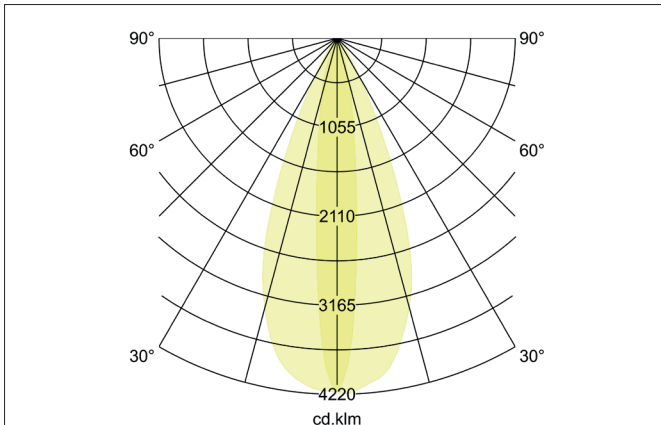
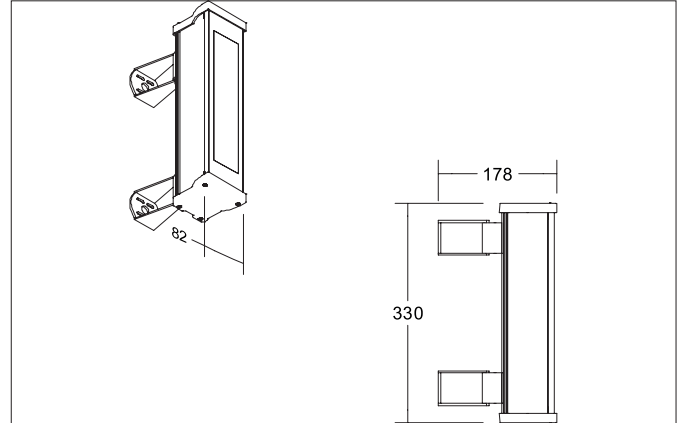


LAVILO I MICRO LED Wallwasher, IP66

Article no. 60831642


Tender

Rectangular LED wallwasher, IP66, 330 mm, DALI dimmable, luminaire length 330 mm, luminaire width 82 mm, height 86 mm, weight 2.400 kg, asymmetrical cover glass transparent, rated luminous flux 1.290 lm, rated wattage 11 W, light color warm white, most similar color temperature (CCT) 3,000 K, general color rendering index CRI > 80, housing material: aluminum / glass, color: titanium, permissible ambient temperature (ta): -25 to +50°, protection class (EN 61140): I, degree of protection (DIN EN 60529): IP66, degree of impact resistance according to IEC62262: IK08, with electronic control gear, DALI-DT6 dimmable.

Article data	
Article no.	60831642
GTIN	4251433994213
Series name	LAVILO I MICRO
Short description	LED Wallwasher, IP66
Material	Aluminium / Glass
Colour	Titanium
Type of surface	Matt
Shape	Rectangular
Length	330 mm
Width	82 mm
Height	86 mm
Scope of delivery	incl. converter for connection to 230 V mains voltage, DALI.
Weight	2.400 kg
Conformance	CE, UKCA

LAVILO I MICRO LED Wallwasher, IP66

Article no. 60831642

Lighting technology	
Colour temperature	RGBW
Light colour	RGBW
Light output	Direct
Luminous flux	1,290 lm
System efficiency	117 lm/W
McAdam-Step	McAdam-Step 5
Colour rendering	CRI > 80
Luminaire optics	Lens
Beam angle longitudinal	10°
Beam angle transverse	40°
Light sharing	Asymmetric
Adjustable color temperature	No

Operating technology of the luminaire	
System output	11 W
Voltage type	AC
AC nominal voltage max	230 V
Frequency max	50 Hz
Frequency min	50 Hz
Lamp	LED
Lamp holder	Without fitting
Protection class	I
Degree of protection	IP66
Ambient temperature	-25 to +50°
Control	DALI-DT6
Bulb change possible	The light source of this luminaire may only be replaced by the manufacturer or a service technician commissioned by him or a similarly qualified person.
Rated life time L90/B10 at 25 °C	50.000 h

Mounting technology	
Mounting method	Surface mounting
Place of installation	Wall-mounted
Adjustability	Pivoted
Impact resistance	IK08
Material cover	Glass transparent
Suitable for through-wiring	No

Packing data	
Gross weight	2.9 kg
Length of packaging	380 mm
Packaging width	140 mm
Packaging height	140 mm
Disposal at end of life	This product must not be disposed of with household waste. You are obliged, to dispose of such electrical waste separately. By disposing of electrical waste and other old or defective electronics separately, you support recycling or other forms of re-use. In that way you help to take care and to avoid that harmful substances get into the environment.