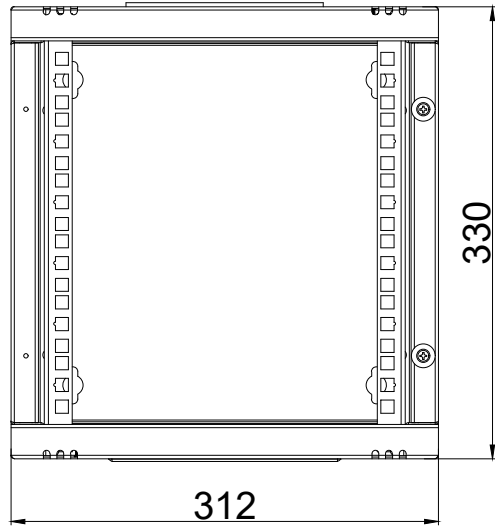


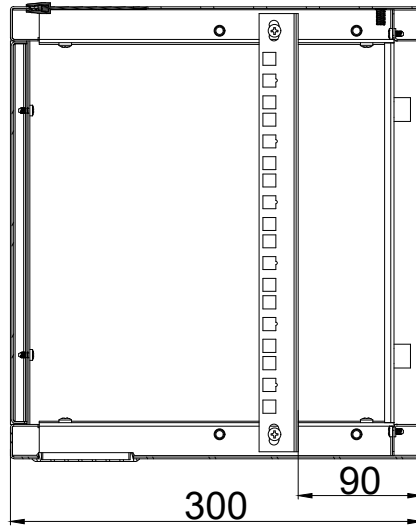


DN-10-05U-1	(4016032331421)	DN-10-09U-B	(4016032473985)
DN-10-06U-B	(4016032466253)	DN-10-12U	(4016032474241)
DN-10-09U	(4016032445647)	DN-10-12U-B	(4016032474258)

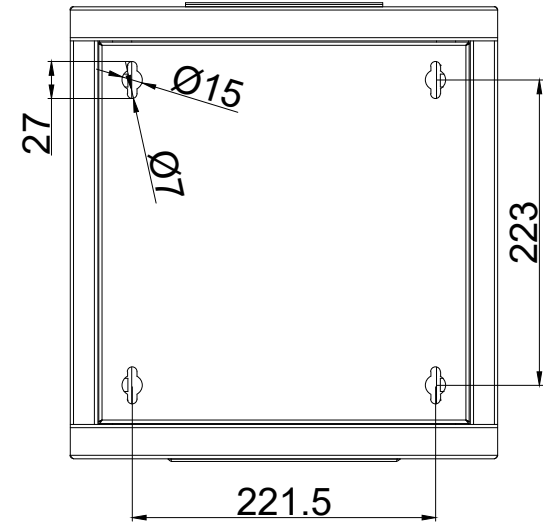


WIDTH OF WALL CABINET

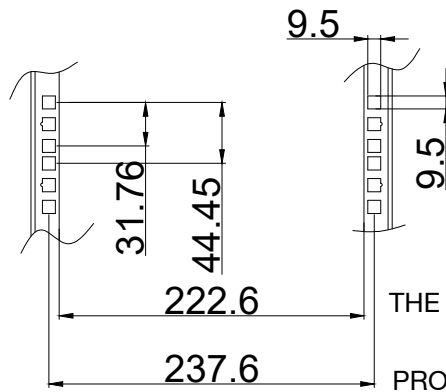
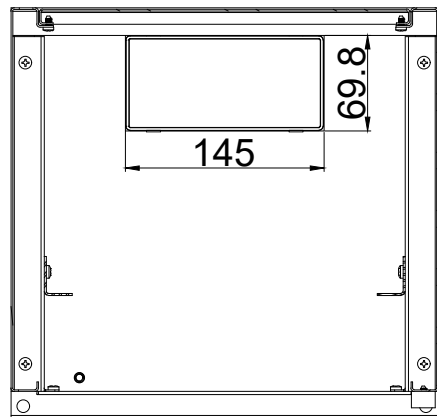
SIDE VIEW



DEPTH OF WALL CABINET



WIDTH OF HANGING HOLE



THE CENTRAL DISTANCE BETWEEN THE HOLE AND THE HOLE

PROFILE RAIL MOUNTING DIMENSIONS

6U-HEIGHT: 330 MM
 9U-HEIGHT: 464 MM
 12U-HEIGHT: 592 MM
 THICKNESS: 1.2 MM