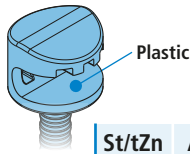




IEC 60417-6182:
Installation,
electrotechnical expertise



IEC 60417-6183:
Installation,
mechanical expertise



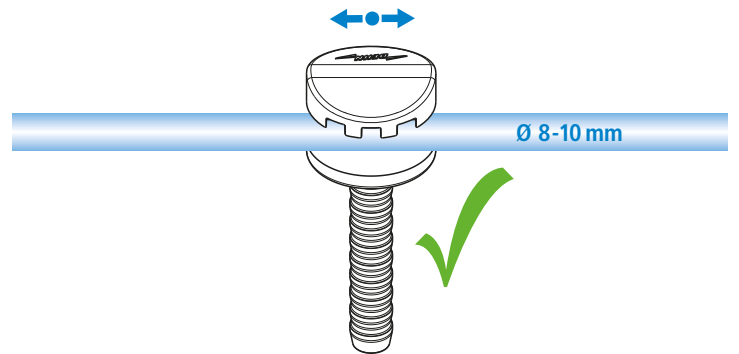
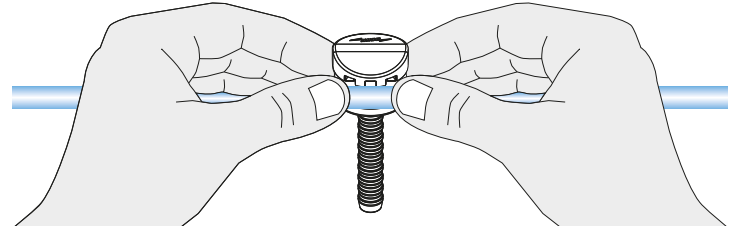
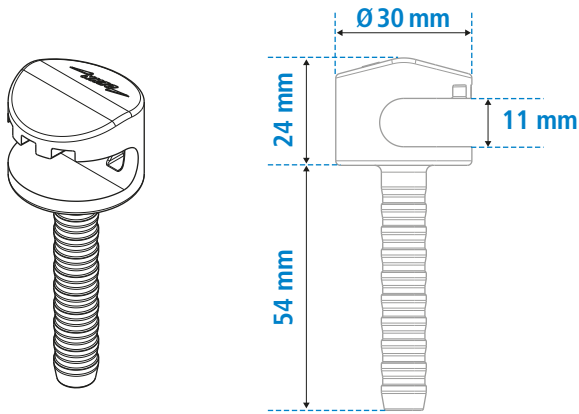
	St/tZn	Al	Cu	StSt	Ti	Sn
Plastic	✓	✓	✓	✓	✓	✓

DIN EN 62561-4

250 mm
max. 200 N



253 303



253 335 SET

