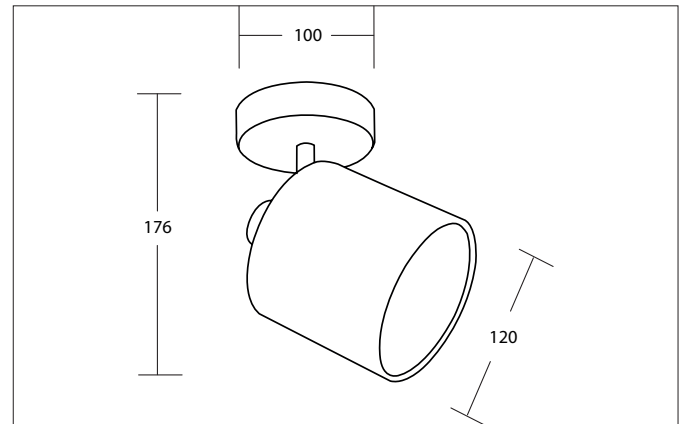


SIENA Ceiling or wall surface mounted luminaire, for E14 LED retrofit lamp, with fabric shade (gold-coloured inside)Light.
For Generations.

Article no. 5722 1850

**Tender**

Ceiling or wall surface mounted luminaire, for E14 LED retrofit lamp, with fabric shade (gold-coloured inside), black structure / inside matt gold, Round.Surface mounting, Ceiling-/Wall-mountedLamp holder: E14, Mounting method: Surface mounting, Place of installation: Ceiling-/Wall-mounted, Material: Steel / Fabric, Degree of protection: according to DIN EN 60529 IP20, Protection class: (EN 61140) I, Voltage: 230V AC 50Hz, Power: 10 W, Amount of light sources / fittings: 1 Qty, Adjustability: Rotable and pivoted, without control gear, Control: Other.

Article data	
Article no.	5722 1850
GTIN	4255752502142
Series name	SIENA
Short description	Ceiling or wall surface mounted luminaire, for E14 LED retrofit lamp, with fabric shade (gold-coloured inside)
Material	Steel / Fabric
Type of surface	Structure
Shape	Round
Width	120 mm
Hight	176 mm
Shade colour	Black
Shade material	Fabric
Weight	0.270 kg
Conformance	CE, UKCA

SIENA Ceiling or wall surface mounted luminaire, for E14 LED retrofit lamp, with fabric shade (gold-coloured inside)Light.
For Generations.

Article no. 5722 1850

Lighting technology	
Light output	Direct
Light sharing	Symmetric
Adjustable color temperature	No

Operating technology of the luminaire	
Voltage type	AC
AC nominal voltage max	230 V
Frequency max	50 Hz
Lamp	For LED-retrofill lamp
Lamp holder	E14
Protection class	I
Degree of protection	IP20
Control	Other
Bulb change possible	Yes

Mounting technology	
Mounting method	Surface mounting
Place of installation	Ceiling-/Wall-mounted
Adjustability	Rotable and pivoted
Swivel angle	90°
Rotation angle	350°
Material cover	Without cover
Suitable for through-wiring	No

Packing data	
Gross weight	0.342 kg
Length of packaging	125 mm
Packaging width	125 mm
Packaging height	120 mm
Disposal at end of life	This product must not be disposed of with household waste. You are obliged, to dispose of such electrical waste separately. By disposing of electrical waste and other old or defective electronics separately, you support recycling or other forms of re-use. In that way you help to take care and to avoid that harmful substances get into the environment.