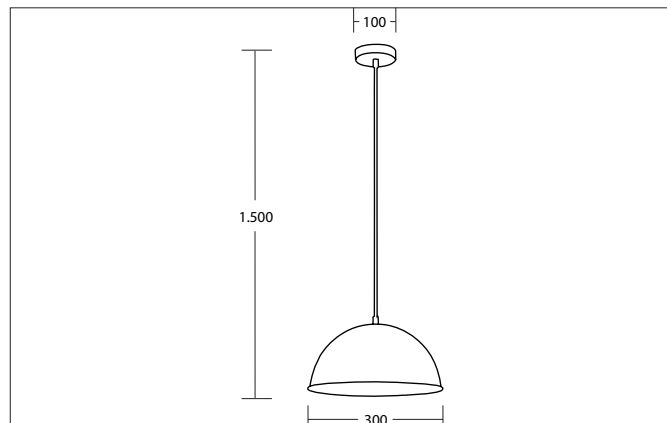


NOGATA Pendant luminaire, for E27 LED retrofit lamp

Article no. 57409850

Light.
For Generations.**Tender**

Pendant luminaire, for E27 LED retrofit lamp, black structure / gold structure, Round.Suspended, Ceiling-mounted Lamp holder: E27, Mounting method: Suspended, Place of installation: Ceiling-mounted, Material: Steel, Degree of protection: according to DIN EN 60529 IP20, Protection class: (EN 61140) I, Voltage: 230V AC 50Hz, Power: 15 W, Amount of light sources / fittings: 1 Qty, Adjustability: Not adjustable, without control gear, Control: Other.

Article data

Article no.	57409850
GTIN	4251433994671
Series name	NOGATA
Short description	Pendant luminaire, for E27 LED retrofit lamp
Material	Steel
Type of surface	Structure
Shape	Round
Outer diameter	300 mm
Height	1500 mm
Scope of delivery	mit Pendelabhangung 1.500 mm
Weight	0.838 kg
Conformance	CE, UKCA

Lighting technology

Light output	Direct
Light sharing	Symmetric
Adjustable color temperature	No

NOGATA Pendant luminaire, for E27 LED retrofit lamp

Article no. 57409850

Light.
For Generations.

Operating technology of the luminaire	
Voltage type	AC
AC nominal voltage max	230 V
Frequency max	50 Hz
Lamp	For LED-retrofill lamp
Lamp holder	E27
Protection class	I
Degree of protection	IP20
Control	Other
Bulb change possible	Yes

Mounting technology	
Mounting method	Suspended
Place of installation	Ceiling-mounted
Adjustability	Not adjustable
Pendulum length max.	1,500 mm
Material cover	Without cover
Suitable for through-wiring	No

Packing data	
Gross weight	1.392 kg
Length of packaging	345 mm
Packaging width	345 mm
Packaging height	200 mm
Disposal at end of life	This product must not be disposed of with household waste. You are obliged, to dispose of such electrical waste separately. By disposing of electrical waste and other old or defective electronics separately, you support recycling or other forms of re-use. In that way you help to take care and to avoid that harmful substances get into the environment.