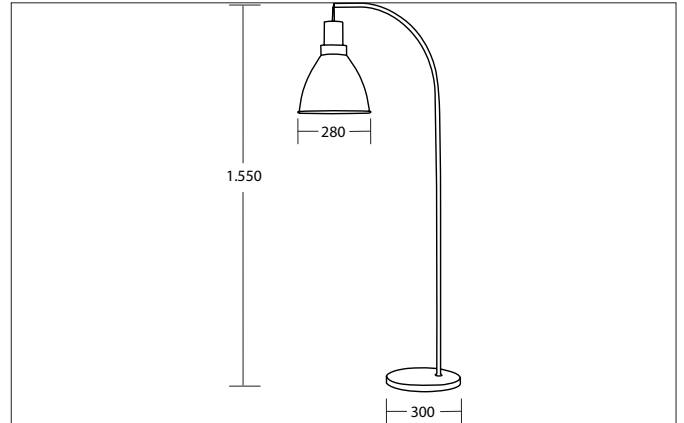


BRENTHIS Floor luminaire , for E27 LED retrofit lamp, with metal shade

Article no. 57414080

Light.
For Generations.**Tender**

Floor luminaire , for E27 LED retrofit lamp, with metal shade, black matt / wood, Round.Surface mounting, Floor-mountedLamp holder: E27, Mounting method: Surface mounting, Place of installation: Floor-mounted, Material: Wood / Steel, Degree of protection: according to DIN EN 60529 IP20, Protection class: (EN 61140) I, Voltage: 230V AC 50Hz, Power: 15 W, Amount of light sources / fittings: 1 Qty, Adjustability: Not adjustable, without control gear, Control: Other.

Article data	
Article no.	57414080
GTIN	4255752510284
Series name	BRENTHIS
Short description	Floor luminaire , for E27 LED retrofit lamp, with metal shade
Material	Wood / Steel
Type of surface	Matt
Shape	Round
Length	630 mm
Width	280 mm
Hight	1540 mm
Weight	6.900 kg
Conformance	CE, UKCA

Lighting technology	
Light output	Direct
Light sharing	Symmetric
Adjustable color temperature	No

BRENTHIS Floor luminaire , for E27 LED retrofit lamp, with metal shade

Article no. 57414080

Light.
For Generations.

Operating technology of the luminaire	
Voltage type	AC
AC nominal voltage max	230 V
Frequency max	50 Hz
Lamp	For LED-retrofill lamp
Lamp holder	E27
Protection class	I
Degree of protection	IP20
Control	Other
Bulb change possible	Yes

Mounting technology	
Mounting method	Surface mounting
Place of installation	Floor-mounted
Adjustability	Not adjustable
Material cover	Without cover

Packing data	
Gross weight	8.4 kg
Length of packaging	650 mm
Packaging width	350 mm
Packaging height	310 mm
Disposal at end of life	This product must not be disposed of with household waste. You are obliged, to dispose of such electrical waste separately. By disposing of electrical waste and other old or defective electronics separately, you support recycling or other forms of re-use. In that way you help to take care and to avoid that harmful substances get into the environment.