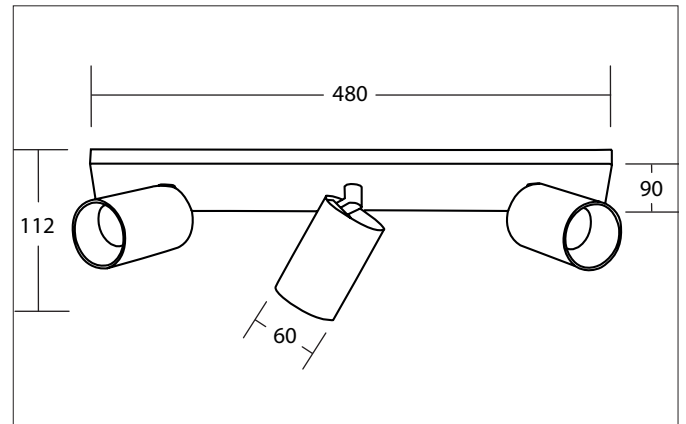


**TAGES Ceiling surface mounted luminaire, for GU10-LED retrofit lamp, with metal housing and metal shades**

Article no. 57133180

Light.  
For Generations.



**Tender**

Ceiling surface mounted luminaire, for GU10-LED retrofit lamp, with metal housing and metal shades, black structure, Rectangular.Surface mounting, Ceiling-mounted Lamp holder: GU10, Mounting method: Surface mounting, Place of installation: Ceiling-mounted, Material: Aluminium, Degree of protection: according to DIN EN 60529 IP20, Protection class: (EN 61140) I, Voltage: 230V AC 50Hz, Power: 8 W, Amount of light sources / fittings: 3 Qty, Adjustability: Rotable and pivoted, without control gear, Control: Other.

| Article data      |  |
|-------------------|--|
| Article no.       | 57133180   |
| GTIN              | 4251433995067  |
| Series name       | TAGES  |
| Short description | Ceiling surface mounted luminaire, for GU10-LED retrofit lamp, with metal housing and metal shades |
| Material          | Aluminium  |
| Type of surface   | Structure  |
| Shape             | Rectangular  |
| Length            | 480 mm   |
| Width             | 90 mm  |
| Height            | 122 mm   |
| Weight            | 0.936 kg   |
| Conformance       | CE, UKCA   |

| Lighting technology          |           |
|------------------------------|-----------|
| Light output                 | Direct    |
| Light sharing                | Symmetric |
| Adjustable color temperature | No        |

**TAGES Ceiling surface mounted luminaire, for GU10-LED retrofit lamp, with metal housing and metal shades**

Article no. 57133180

Light.  
For Generations.

| Operating technology of the luminaire |                        |
|---------------------------------------|------------------------|
| Voltage type                          | AC                     |
| AC nominal voltage max                | 230 V                  |
| Frequency max                         | 50 Hz                  |
| Lamp                                  | For LED-retrofill lamp |
| Lamp holder                           | GU10                   |
| Protection class                      | I                      |
| Degree of protection                  | IP20                   |
| Control                               | Other                  |
| Bulb change possible                  | Yes                    |

| Mounting technology         |                     |
|-----------------------------|---------------------|
| Mounting method             | Surface mounting    |
| Place of installation       | Ceiling-mounted     |
| Adjustability               | Rotable and pivoted |
| Swivel angle                | 40°                 |
| Rotation angle              | 355°                |
| Material cover              | Without cover       |
| Suitable for through-wiring | No                  |

| Packing data            |   |
|-------------------------|---|
| Gross weight            | 1.237 kg  |
| Length of packaging     | 485 mm  |
| Packaging width         | 95 mm   |
| Packaging height        | 135 mm  |
| Disposal at end of life | This product must not be disposed of with household waste. You are obliged, to dispose of such electrical waste separately.<br>By disposing of electrical waste and other old or defective electronics separately, you support recycling or other forms of re-use. In that way you help to take care and to avoid that harmful substances get into the environment. |