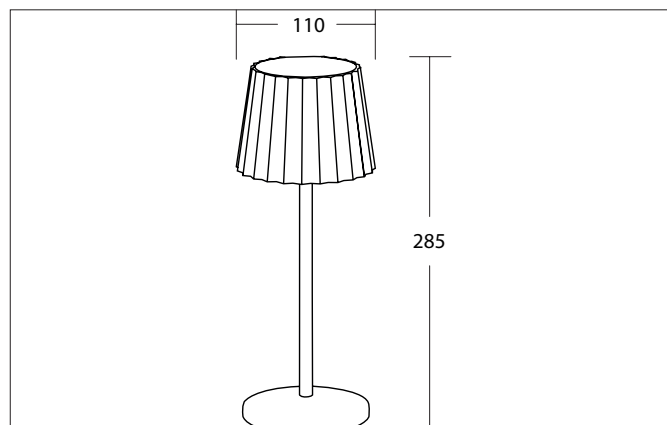



REIRO LED rechargeable table lamp, IP54, dimmable

Article no. 65411173


Tender

LED rechargeable table lamp, touch dim, IP54, height 285 mm, white structure. Compact design for harmonious implementation in harmonious, architectural room concepts. Version: Without socket, Mounting type: Surface-mounted, Mounting location: Table-mounted, Material: Aluminium / glass / plastic, Protection rating on room side: to DIN EN 60529: IP54, Protection class: (EN 61140) III, Power: 4.8 W, Luminous flux: 150 lm, Light color: White, With control gear: Yes, Dimmable: Yes, Type of dimming: Other.

Article data	
Article no.	65411173
GTIN	4255752510062
Series name	REIRO
Short description	LED rechargeable table lamp, IP54, dimmable
Material	Aluminium / Glass / Plastic
Colour	white structure
Type of surface	Structure
Width	110 mm
Height	285 mm
Scope of delivery	inkl. USB-C Ladekabel - 1 x 4.400 mA Lithium Batterie. - Ladezeit: 4,5 Std. - Arbeitszeit: 7,5 Std.
Weight	0.777 kg
Conformance	CE, UKCA


REIRO LED rechargeable table lamp, IP54, dimmable

Article no. 65411173

Lighting technology	
Colour temperature	3.000 K
Light colour	white
Light output	Direct
Luminous flux	150 lm
Colour rendering	CRI > 80
Adjustable color temperature	No

Operating technology of the luminaire	
System output	4.8 W
Voltage type	DC
DC nominal voltage max	5 V
Lamp	LED
Lamp holder	Without fitting
Protection class	III
Degree of protection	IP54
Dimmable	Yes
Control	Other
Bulb change possible	The light source of this luminaire may only be replaced by the manufacturer or a service technician commissioned by him or a similarly qualified person.
Energy efficiency class	nicht erforderlich

Mounting technology	
Mounting method	Surface mounting
Place of installation	Table-mounted
Suitable for through-wiring	No

Packing data	
Gross weight	1.163 kg
Length of packaging	145 mm
Packaging width	145 mm
Packaging height	335 mm
Disposal at end of life	This product must not be disposed of with household waste. You are obliged, to dispose of such electrical waste separately. By disposing of electrical waste and other old or defective electronics separately, you support recycling or other forms of re-use. In that way you help to take care and to avoid that harmful substances get into the environment.