

Y-Verteiler

Y-Manifolds

RoHS

Material:
Polyamid 66
Polyamid 46 auf Anfrage

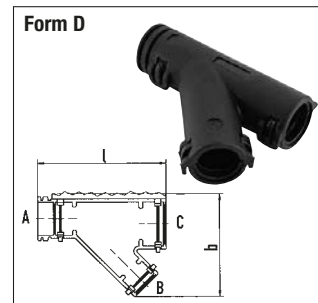
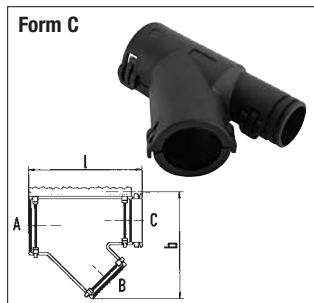
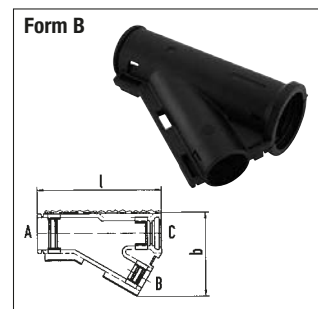
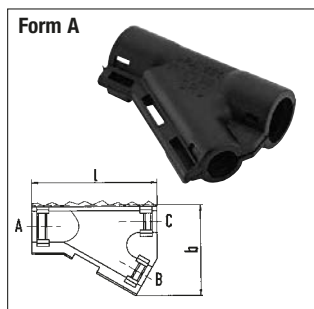
Temperaturbereich:
-40°C bis 135°C
500 h: -40°C bis 150°C

Farbe(n)/Ausführungen:
• Schwarz
• Form „N“ und „O“ nur für Normalprofil geeignet

Material:
Polyamide 66
Polyamide 46 on request

Temperature range:
-40°C to 135°C
500 h: -40°C to 150°C

Colour(s)/Designs:
• Black
• Form "N" and "O" only for normal profile



Form	außen- greifend	Schnapp- verschluss	Bügel- verschluss	Steck- fuß- ein- schub	Außen- einhäng- kontur an Abgang C	Well- schlauch- anschlag innen	passend für Well- schlauch-Profil NW (A-B-C) Normal +UFW	AHW	selbst- schließend L-Profil	verschieb- bar V-Profil	b mm	l mm	Art.-Nr.	VE Stck.
Form	outside gripping	Snap lock	Clamp lock	Plug socket slide in	exterior hook-up on branch C	stop ridge for corru- gated tube inside	suitable for corrugated tube profile NW (A-B-C) normal +UFW	AHW	self closing L-Profile	lockable V-Profile	b mm	l mm	Art. no.	PU pcs.
A	✓	✓					7,5-4,5-4,5	6-4,5-4,5	7,5-4,5-4,5		30,0	40,0	9817080	1000
A	✓	✓					7,5-4,5-7,5	6-4,5-6	7,5-4,5-7,5		30,0	40,0	9817083	1000
B	✓	✓			✓		17-13-17	15-11-15	17-13-17	15-11-15	58,4	78,8	9817201	500
B	✓	✓			✓		22-10-17	19- 8,5-15		19- 8,5-15	57,1	68,8	9817200	500
B	✓	✓			✓		22-13-17	19-11-15		19-11-15	55,1	60,3	9817203	500
B	✓	✓			✓		22-17-17	19-15-15		19-15-15	58,9	67,9	9817202	500
C	✓		✓	✓			4,5-4,5-4,5	4,5-4,5-4,5	4,5-4,5-4,5		27,8	33,0	9817050	1000
C	✓		✓	✓	✓		13-7,5-10	11-6-8,5	13-7,5-10		39,5	47,3	9817304	500
C	✓		✓	✓	✓		13-10-10	11-8,5-8,5	13-10-10	11-8,5-8,5	45,4	59,9	9817306	500
C	✓		✓	✓	✓		13-10-13	11-8,5-11	13-10-13	11-8,5-11	45,6	59,9	9817305	500
C	✓		✓	✓	✓		13-13-13	11-11-11	13-13-13	11-11-11	46,6	59,9	9817308	500
C	✓		✓	✓	✓		17-13-10	15-11-8,5	17-13-17	15-11-8,5	46,9	59,9	9817310	500
C	✓		✓	✓	✓		17-17-10	15-15-8,5	17-17-10	15-15-8,5	48,8	59,9	9817309	500
C	✓		✓	✓	✓		22-13-22	19-11-19		19-11-19	56,4	63,5	9817311	100
C	✓		✓	✓	✓		22-22-22	19-19-19		19-19-19	64,7	76,7	9817302	250
C	✓		✓	✓	✓		26-22-22	26-19-19		26-19-19	64,7	69,4	9817300	500
C	✓		✓	✓			29-29-22	29-29-19			95,0	79,6	9817243	200
C	✓		✓	✓			37-29-22				102,0	88,6	9817244	200
C	✓		✓	✓			37-37-22				113,0	98,5	9817241	150
ähnlich Form C/similar to Form C														
	✓		✓	✓			8,5-8,5-8,5		8,5-8,5-8,5		38,9	45,0	9817040	500
	✓		✓	✓		✓	10-8,5-8,5		10-8,5-8,5		39,4	45,0	9817041	500
	✓		✓	✓	✓		10-8,5-10		10-8,5-10		40,0	51,2	9817030	500
	✓		✓	✓		✓	13-8,5-8,5		13-8,5-8,5		37,9	40,0	9817037	500
	✓		✓	✓	✓		13-8,5-10		13-8,5-10		40,1	49,2	9817031	500
	✓		✓	✓	✓		13-8,5-13		13-8,5-13		43,0	51,9	9817032	500
	✓		✓	✓		✓	17-8,5-13		17-8,5-13		43,3	47,9	9817039	500
	✓		✓	✓	✓		17-10-10	15-8,5-8,5	17-10-10	15-8,5-8,5	41,9	46,2	9817033	500
	✓		✓	✓	✓	✓	17-10-17	15-8,5-15	17-10-17	15-8,5-15	49,7	55,6	9817038	500
	✓		✓	✓	✓		17-10-13	15-8,5-11	17-10-13	15-8,5-11	44,0	48,9	9817035	500
	✓		✓	✓	✓	✓	17-13-13	15-11-11	17-13-13	15-11-11	46,2	52,9	9817036	500
	✓		✓	✓	✓	✓	22-10-22	19-8,5-19		19-8,5-19	54,2	54,3	9817034	100
D	✓		✓		✓		10-10-10	8,5-8,5-8,5	10-10-10	8,5-8,5-8,5	43,0	54,4	9817303	500
D	✓		✓				26-10-26	26-8,5-26			62,0	60,8	9817242	300
D	✓		✓				29-22-26	29-19-26			75,0	72,7	9817240	500
D	✓		✓				29-26-29	29-26-29			95,0	80,5	9817044	300
D	✓		✓				37-22-37				93,0	86,5	9817247	200