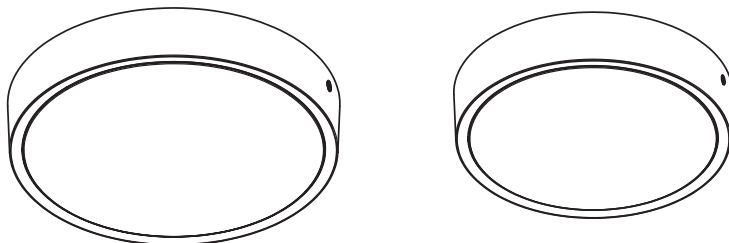


BULKHEAD

	EAN	Ø x h [mm]	W _R	V _{AC} /V _{DC}	Hz	lm	lm/W	K
BLKH RD 250 P 9.5W CPS BK	4099854286087	262 x 73	9,5*	220-240V/ 176-278	0/50/60Hz	1220*	128*	3000/4000
BLKH RD 250 P 9.5W CPS WT	4099854286100	262 x 73	9,5*	220-240V/ 176-278	0/50/60Hz	1220*	128*	3000/4000
BLKH RD 300 P 17W CPS BK	4099854286124	312 x 73	17*	220-240V/ 176-278	0/50/60Hz	2270*	132*	3000/4000
BLKH RD 300 P 17W CPS WT	4099854286148	312 x 73	17*	220-240V/ 176-278	0/50/60Hz	2270*	132*	3000/4000
BLKH RD SEN 250 P 10W CPS BK	4099854286162	262 x 73	10*	220-240V/ 176-278	0/50/60Hz	1220*	122*	3000/4000
BLKH RD SEN 250 P 10W CPS WT	4099854286186	262 x 73	10*	220-240V/ 176-278	0/50/60Hz	1220*	122*	3000/4000
BLKH RD SEN 300 P 18W CPS BK	4099854286209	312 x 73	18*	220-240V/ 176-278	0/50/60Hz	2280*	126*	3000/4000
BLKH RD SEN 300 P 18W CPS WT	4099854286247	312 x 73	18*	220-240V/ 176-278	0/50/60Hz	2280*	126*	3000/4000

	EAN	IP	IK	∠	R _a	⊖ (°C)	PF	⚙
BLKH RD 250 P 9.5W CPS BK	4099854286087	65	10	120°	> 80	-20...+40	> 0.8	0.8 kg
BLKH RD 250 P 9.5W CPS WT	4099854286100	65	10	120°	> 80	-20...+40	> 0.8	0.8 kg
BLKH RD 300 P 17W CPS BK	4099854286124	65	10	120°	> 80	-20...+40	> 0.9	0.9 kg
BLKH RD 300 P 17W CPS WT	4099854286148	65	10	120°	> 80	-20...+40	> 0.9	0.9 kg
BLKH RD SEN 250 P 10W CPS BK	4099854286162	65	10	120°	> 80	-20...+40	> 0.7	0.9 kg
BLKH RD SEN 250 P 10W CPS WT	4099854286186	65	10	120°	> 80	-20...+40	> 0.7	0.9 kg
BLKH RD SEN 300 P 18W CPS BK	4099854286209	65	10	120°	> 80	-20...+40	> 0.9	1.1 kg
BLKH RD SEN 300 P 18W CPS WT	4099854286247	65	10	120°	> 80	-20...+40	> 0.9	1.1 kg

* **BLKH RD 250**

WAC	9,5		8		6,5		5,5	
T (Kelvin)	4000	3000	4000	3000	4000	3000	4000	3000
lm	1220	1150	1070	1020	860	820	710	680
lm/W	128	120	132	125	132	125	129	123

* **BLKH RD SEN 250**

WAC	10		8,5		7		6	
T (Kelvin)	4000	3000	4000	3000	4000	3000	4000	3000
lm	1220	1150	1070	1010	860	810	710	670
lm/W	122	115	120	116	120	114	118	112

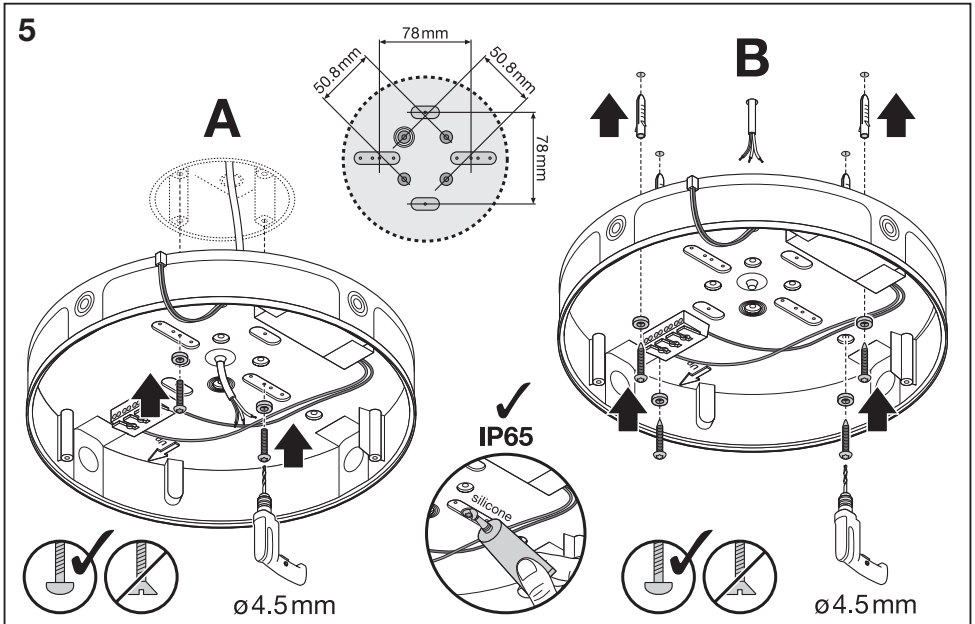
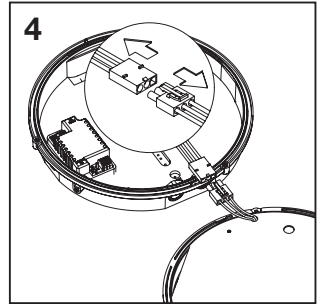
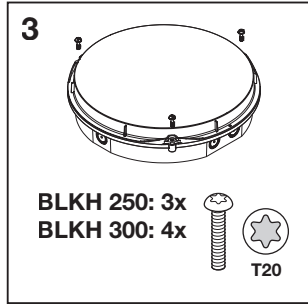
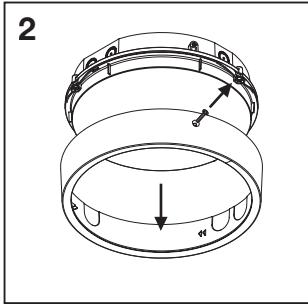
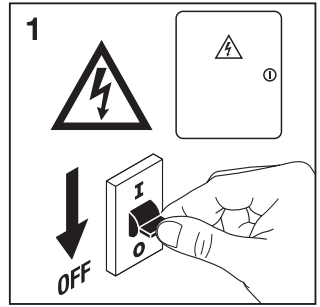
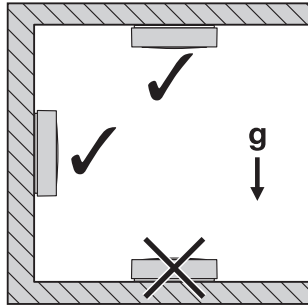
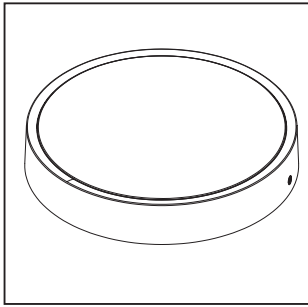
* **BLKH RD 300**

WAC	17		15		12,5		10	
T (Kelvin)	4000	3000	4000	3000	4000	3000	4000	3000
lm	2270	2140	1990	1880	1700	1600	1400	1310
lm/W	132	125	132	125	136	128	138	130

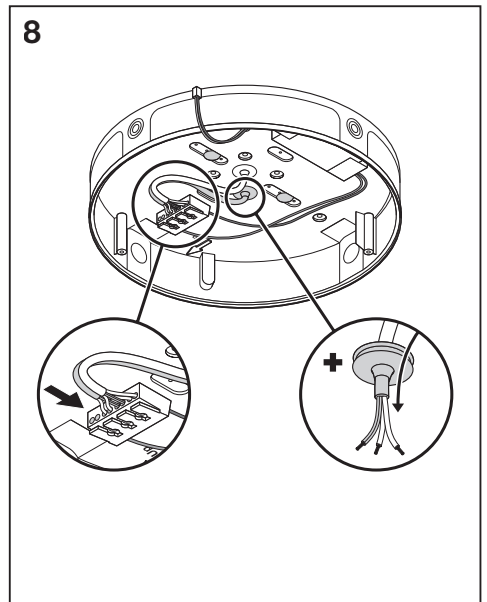
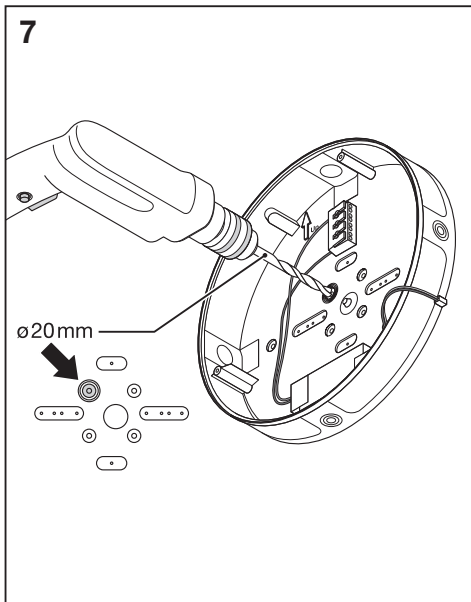
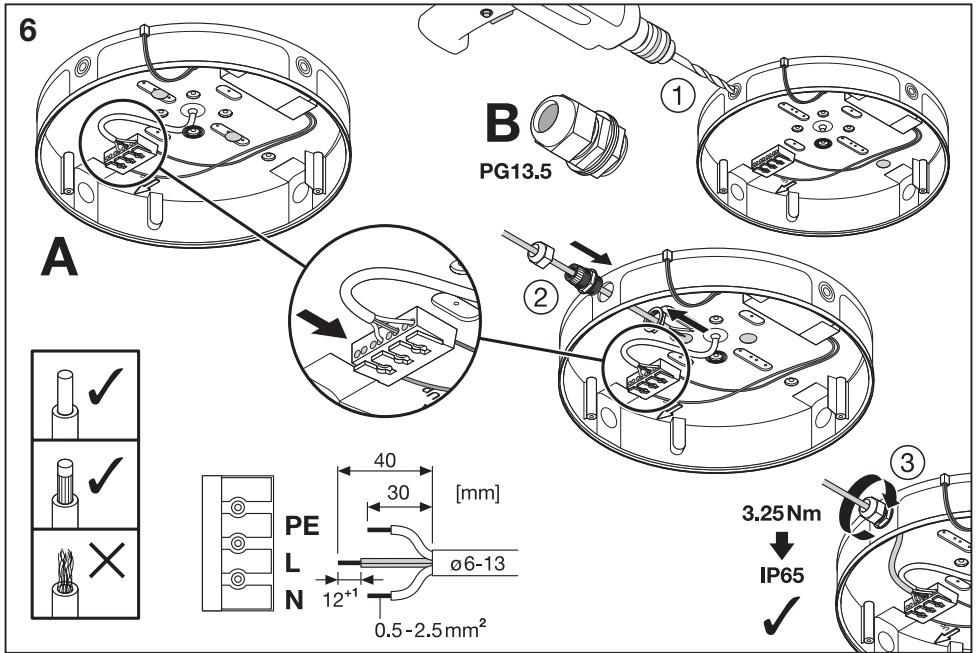
* **BLKH RD SEN 300**

WAC	18		15,5		13		11	
T (Kelvin)	4000	3000	4000	3000	4000	3000	4000	3000
lm	2280	2160	1980	1880	1690	1610	1390	1330
lm/W	126	120	127	121	130	122	126	120

BULKHEAD



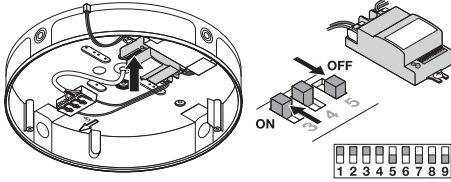
BULKHEAD



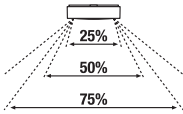
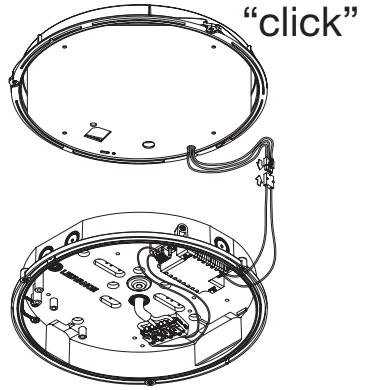
BULKHEAD



9



10



Detection Area

1	2	3	
ON	ON	ON	100 %
-	ON	ON	75 %
ON	-	ON	50 %
-	-	ON	25 %
-	-	-	10 %



Hold Time

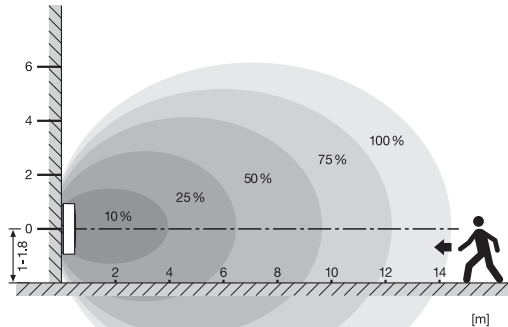
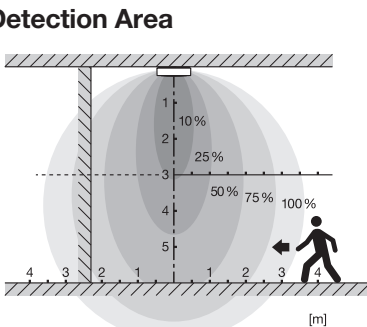
4	5	6	
ON	ON	ON	5 s
-	ON	ON	30 s
ON	-	ON	90 s
-	-	ON	3 min
ON	ON	-	20 min
-	-	-	30 min



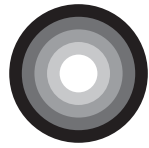
Daylight Sensor

7	8	9	
ON	ON	ON	2 LUX
ON	ON	-	10 LUX
-	ON	-	25 LUX
ON	-	-	50 LUX
-	-	-	Disable

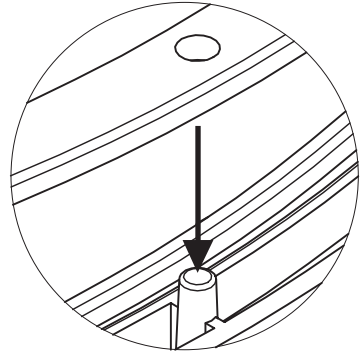
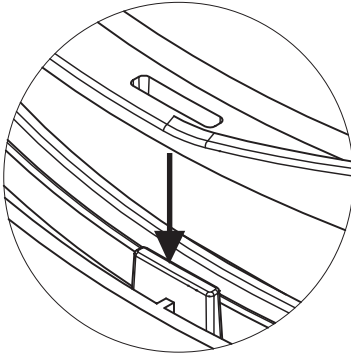
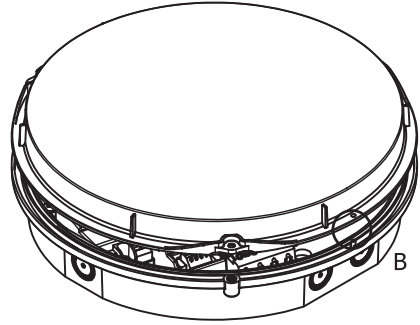
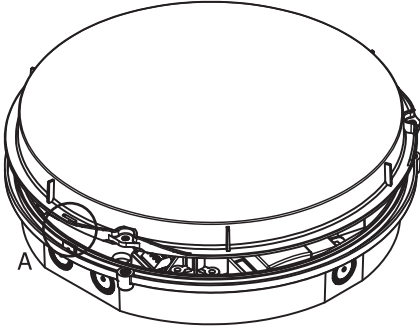
Detection Area



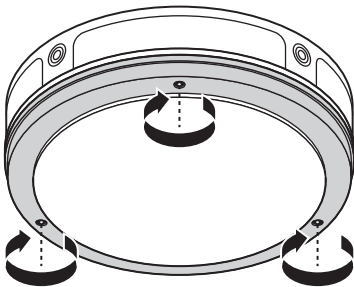
BULKHEAD



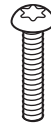
11



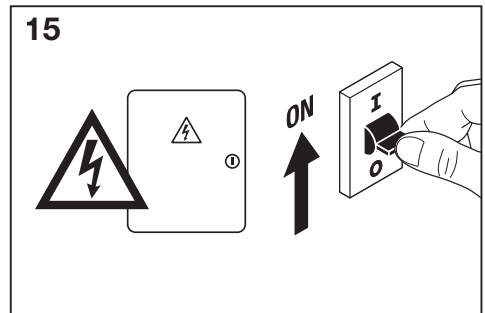
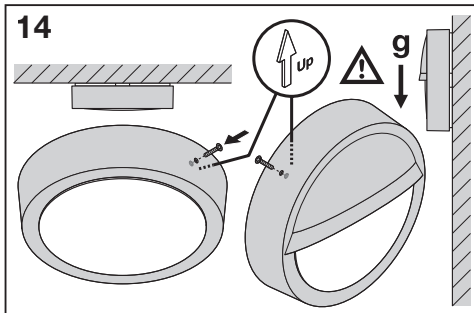
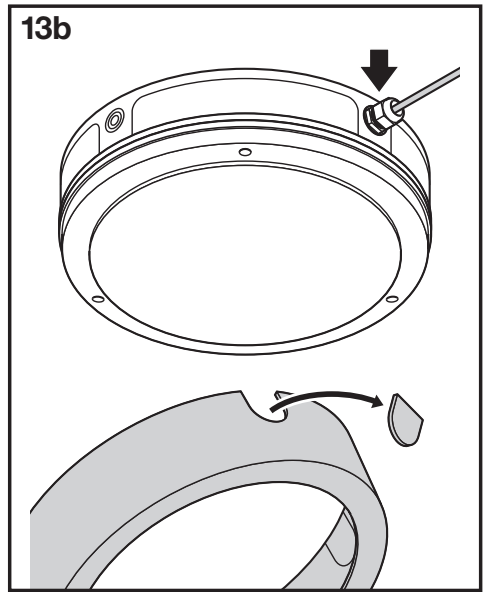
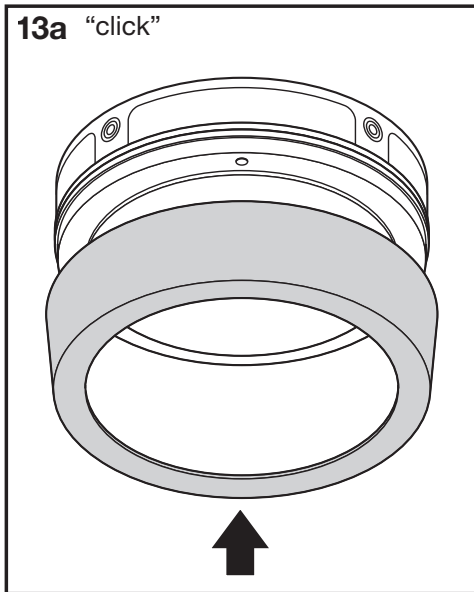
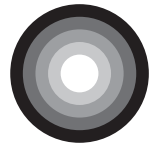
12



BLKH 250: 3x
BLKH 300: 4x



BULKHEAD

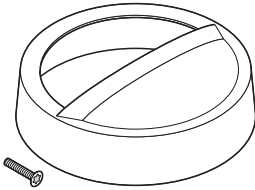




Everloop components*

* not included

	EAN	Ø x h [mm]	l x w x h [mm]	👤
DR DS-P-10/220-240/350 BLKH	4099854286834		81x47x25	0.1 kg
DR DS-P-18/220-240/370 BLKH	4099854286858		81x47x25	0.1 kg
LISOEV 250R 8W 830 840 BLKH	4099854311918	250 x 38		0.3 kg
LISOEV 300R 15W 830 840 BLKH	4099854311970	300 x 38		0.4 kg



BULKHEAD EYELID*

* not included

	EAN	Ø x h [mm]	👤
BLKH RD EYELID 250 BK	4099854286759	262 x 74	0.2 kg
BLKH RD EYELID 250 WT	4099854286773	262 x 74	0.2 kg
BLKH RD EYELID 300 BK	4099854286797	312 x 74	0.2 kg
BLKH RD EYELID 300 WT	4099854286810	312 x 74	0.2 kg

	B10	B16	C10	C16
BLKH RD 250 P 10W CPS BK	155	248	155	248
BLKH RD 250 P 10W CPS WT				
BLKH RD 300 P 16W CPS BK	63	79	63	101
BLKH RD 300 P 16W CPS WT				
BLKH RD SEN 250 P 10W CPS BK	140	224	140	224
BLKH RD SEN 250 P 10W CPS WT				
BLKH RD SEN 300 P 16W CPS BK	63	79	63	101
BLKH RD SEN 300 P 16W CPS WT				



www.ledvance.com/everloop



FR

Cet appareil et ses accessoires se recyclent

À DÉPOSER EN MAGASIN



À DÉPOSER EN DÉCHÈTERIE



OU

Points de collecte sur www.quefairedemesdechets.fr



LEDVANCE GmbH
Steinerne Furt 62
86167 Augsburg, Germany
www.ledvance.com

C10449058
G11196615

11.06.24

© LEDVANCE Ltd, Sterling House,
810 Mandarin Court, Warrington,
Cheshire, WA1 1GG, United Kingdom