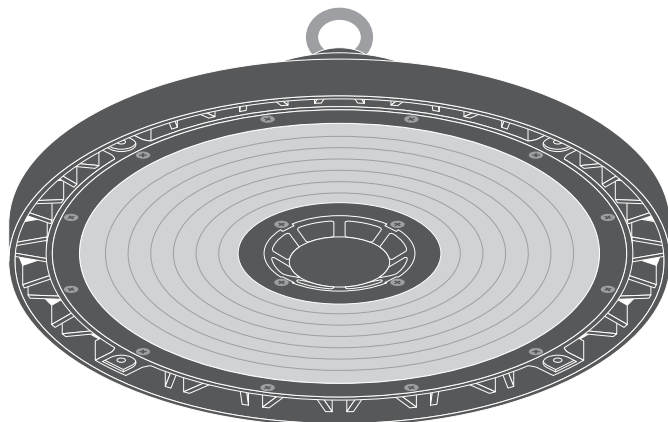


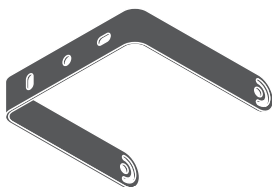
HIGHBAY GEN5





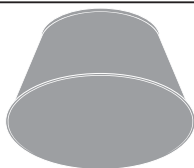
	EAN	Ø x h [mm]	W	V _{AC}	Hz	lm	lm/W	K
HB P 75W 840 70DEG IP66 PS	4058075844285	280 x 161	75 / 53	220-240	0/50/60	13200 / 9328	176	4000
HB P 75W 840 110DEG IP66 PS	4058075844292	280 x 161	75 / 53	220-240	0/50/60	13500 / 9540	180	4000
HB P 150W 840 70DEG IP66 PS	4058075844308	321 x 160	150 / 125	220-240	0/50/60	26250 / 21875	175	4000
HB P 150W 840 110DEG IP66 PS	4058075844315	321 x 160	150 / 125	220-240	0/50/60	26700 / 22250	178	4000
HB P 200W 840 70DEG IP66 PS	4058075844322	321 x 162	200 / 173	220-240	0/50/60	35000 / 30275	175	4000
HB P 200W 840 110DEG IP66 PS	4058075844339	321 x 162	200 / 173	220-240	0/50/60	36200 / 31313	181	4000
HB P 75W 865 70DEG IP66 PS	4058075844346	280 x 161	75 / 53	220-240	0/50/60	13125 / 9275	175	6500
HB P 75W 865 110DEG IP66 PS	4058075844353	280 x 161	75 / 53	220-240	0/50/60	13350 / 9434	178	6500
HB P 150W 865 70DEG IP66 PS	4058075844360	321 x 160	150 / 125	220-240	0/50/60	26250 / 21875	175	6500
HB P 150W 865 110DEG IP66 PS	4058075844377	321 x 160	150 / 125	220-240	0/50/60	26250 / 21875	175	6500
HB P 200W 865 70DEG IP66 PS	4058075844384	321 x 162	200 / 173	220-240	0/50/60	35000 / 30275	175	6500
HB P 200W 865 110DEG IP66 PS	4058075844391	321 x 162	200 / 173	220-240	0/50/60	35000 / 30275	175	6500


	EAN	IP	IK	∇	R _a	⊖ (°C)	PF	👤
HB P 75W 840 70DEG IP66 PS	4058075844285	66	10	70	>80	-30...+50	> 0.95	2.6 kg
HB P 75W 840 110DEG IP66 PS	4058075844292	66	10	110	>80	-30...+50	> 0.95	2.6 kg
HB P 150W 840 70DEG IP66 PS	4058075844308	66	10	70	>80	-30...+50	> 0.95	2.9 kg
HB P 150W 840 110DEG IP66 PS	4058075844315	66	10	110	>80	-30...+50	> 0.95	2.9 kg
HB P 200W 840 70DEG IP66 PS	4058075844322	66	10	70	>80	-30...+50	> 0.95	3.3 kg
HB P 200W 840 110DEG IP66 PS	4058075844339	66	10	110	>80	-30...+50	> 0.95	3.3 kg
HB P 75W 865 70DEG IP66 PS	4058075844346	66	10	70	>80	-30...+50	> 0.95	2.6 kg
HB P 75W 865 110DEG IP66 PS	4058075844353	66	10	110	>80	-30...+50	> 0.95	2.6 kg
HB P 150W 865 70DEG IP66 PS	4058075844360	66	10	70	>80	-30...+50	> 0.95	2.9 kg
HB P 150W 865 110DEG IP66 PS	4058075844377	66	10	110	>80	-30...+50	> 0.95	2.9 kg
HB P 200W 865 70DEG IP66 PS	4058075844384	66	10	70	>80	-30...+50	> 0.95	3.3 kg
HB P 200W 865 110DEG IP66 PS	4058075844391	66	10	110	>80	-30...+50	> 0.95	3.3 kg

HIGHBAY GEN5




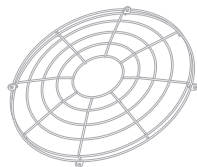
	EAN	l x w x h [mm]	
HB BRACKET 138	4058075844643	138 x 35 x 203	0.35 kg




	EAN	Ø x h [mm]	
HB ALU REFLECTOR 415	4058075844568	415 x 205	0.3 kg
HB ALU REFLECTOR 500	4058075844582	500 x 235	0.5 kg

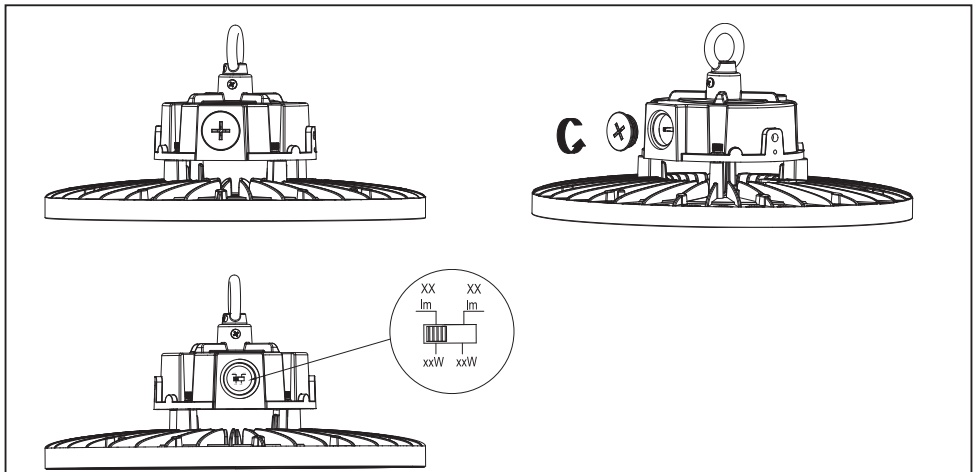
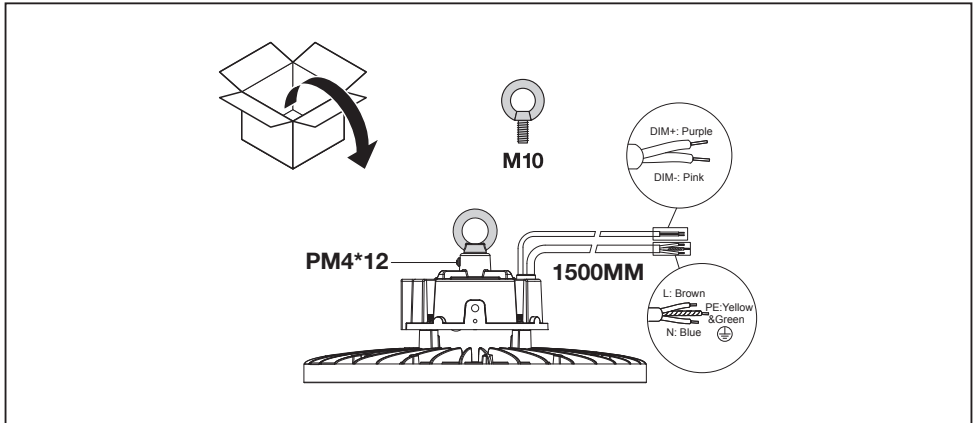


	EAN	Ø x h [mm]	
HB PC REFRACTOR 415	4058075844605	413 x 205	0.7 kg
HB PC REFRACTOR 500	4058075844629	480 x 250	1.0 kg



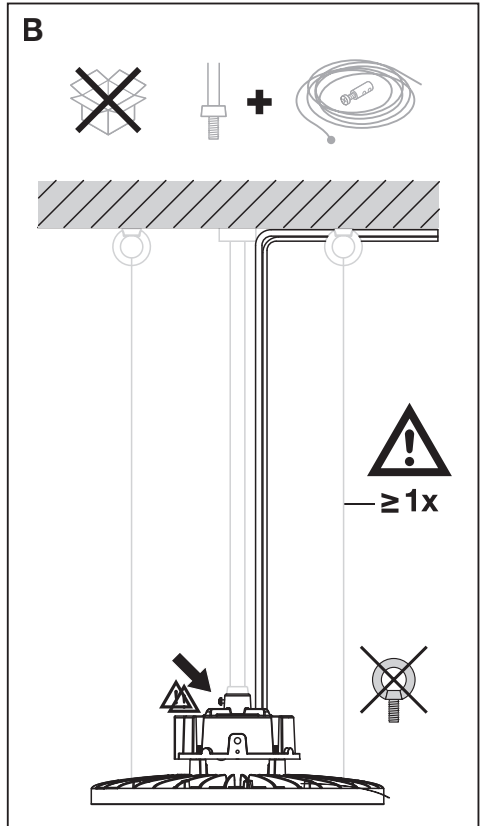
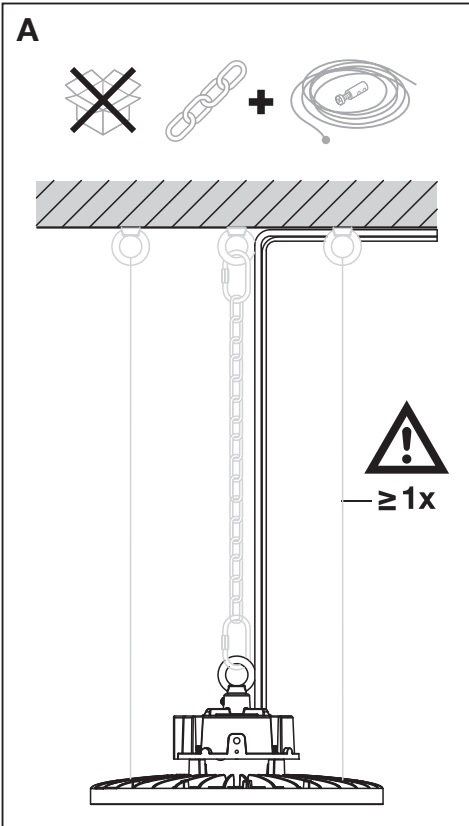
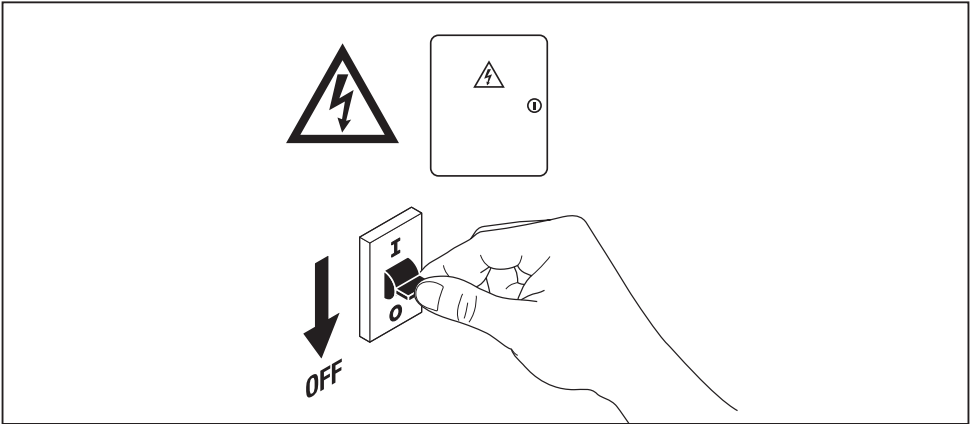
	EAN	Ø x h [mm]	
HB BALL PROOF GRID COVER 270	4058075844520	270 x 26.5	0.14 kg
HB BALL PROOF GRID COVER 310	4058075844544	310 x 27.5	0.19 kg

HIGHBAY GEN5



	W	lm	lm/W	Input current (mA)
HB P 75W 840 70DEG IP66 PS	75 / 53	13200 / 9328	176	335 / 240
HB P 75W 840 110DEG IP66 PS	75 / 53	13500 / 9540	180	
HB P 150W 840 70DEG IP66 PS	150 / 125	26250 / 21875	175	665 / 555
HB P 150W 840 110DEG IP66 PS	150 / 125	26700 / 22250	178	
HB P 200W 840 70DEG IP66 PS	200 / 173	35000 / 30275	175	880 / 770
HB P 200W 840 110DEG IP66 PS	200 / 173	36200 / 31313	181	
HB P 75W 865 70DEG IP66 PS	75 / 53	13125 / 9275	175	335 / 240
HB P 75W 865 110DEG IP66 PS	75 / 53	13350 / 9434	178	
HB P 150W 865 70DEG IP66 PS	150 / 125	26250 / 21875	175	665 / 555
HB P 150W 865 110DEG IP66 PS	150 / 125	26250 / 21875	175	
HB P 200W 865 70DEG IP66 PS	200 / 173	35000 / 30275	175	880 / 770
HB P 200W 865 110DEG IP66 PS	200 / 173	35000 / 30275	175	





HIGHBAY GEN5

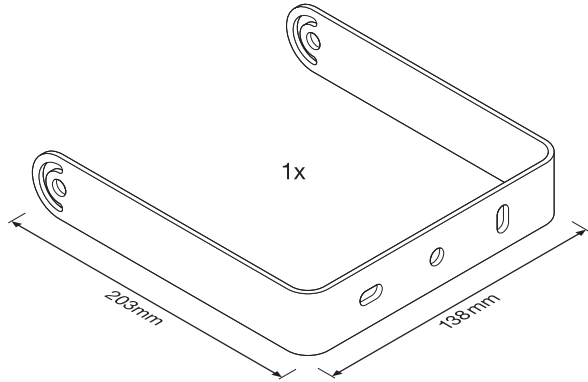


HIGHBAY GEN5

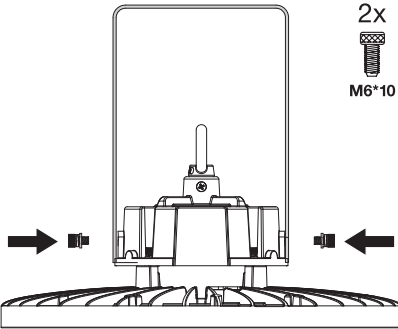





HB Bracket 138
EAN 4058075844643

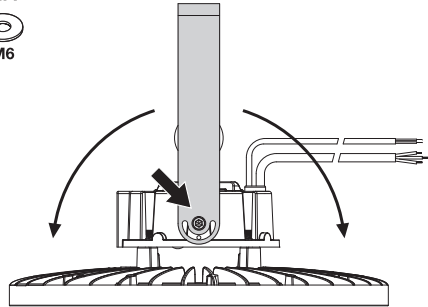
2x 2x 2x 2x
   
M6*10 M6 M6 M4*8



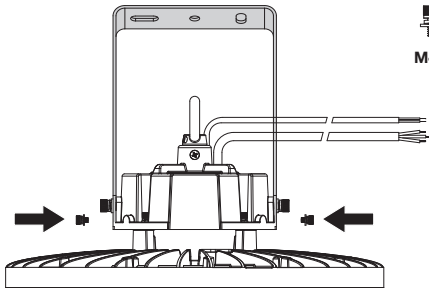
1



2x 2x 2x
  
M6*10 M6 M6

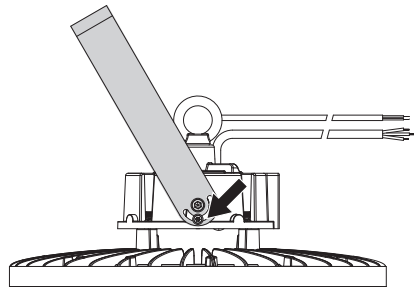


2

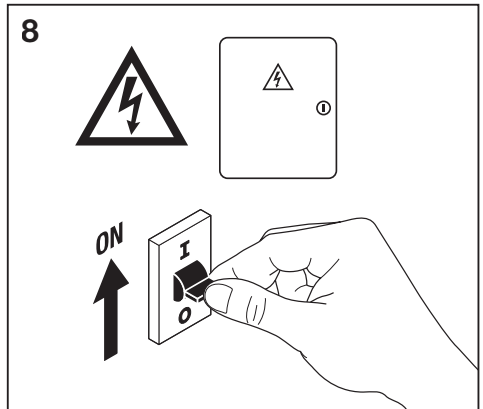
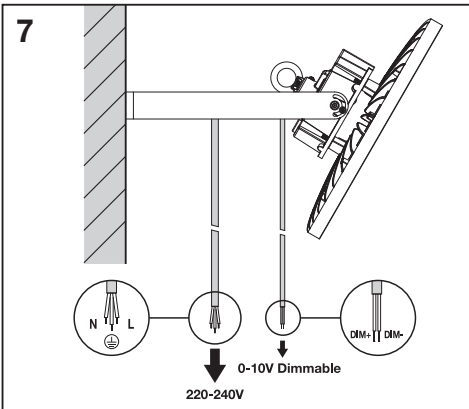
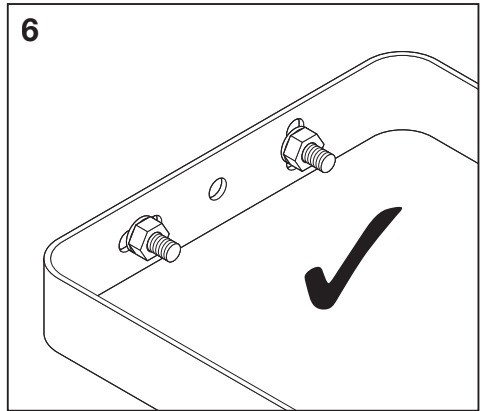
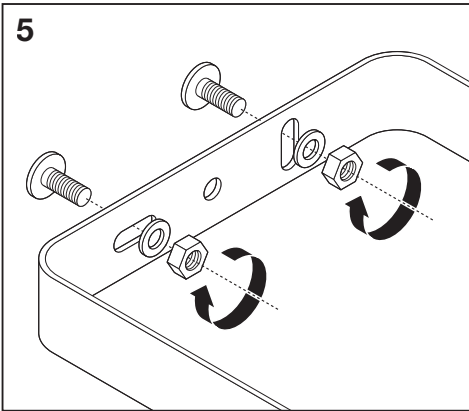
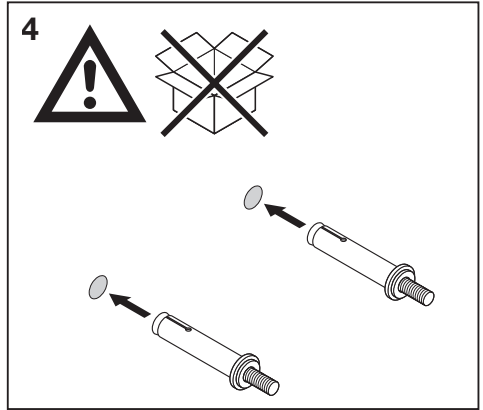
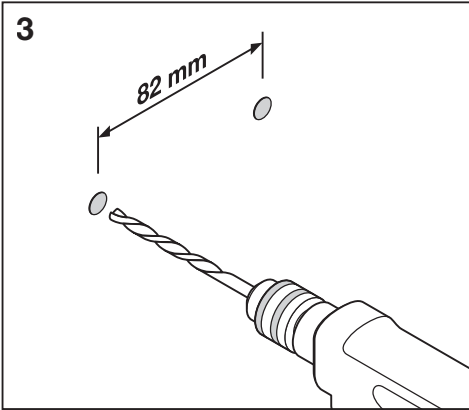


2x

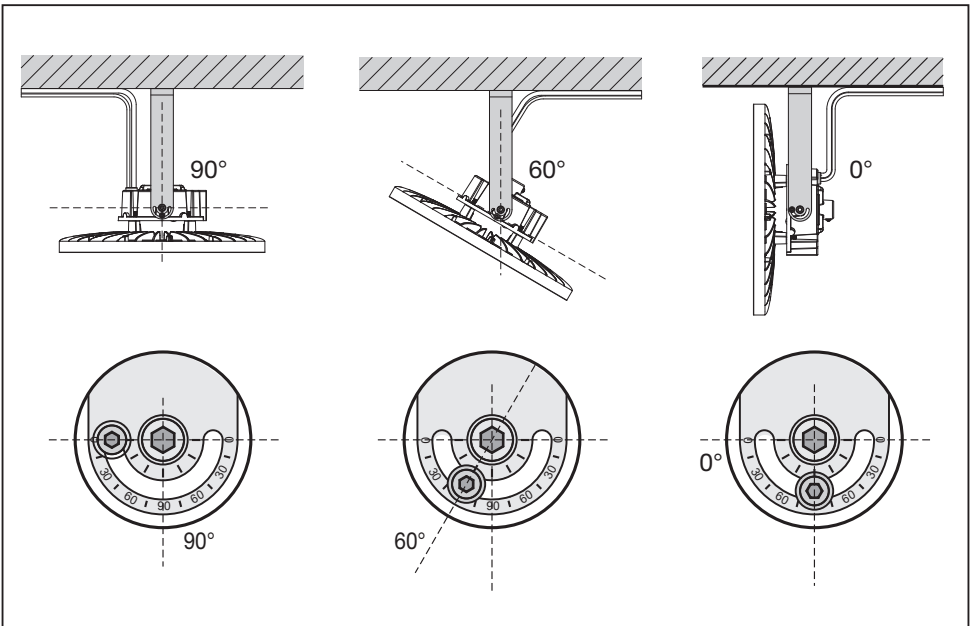
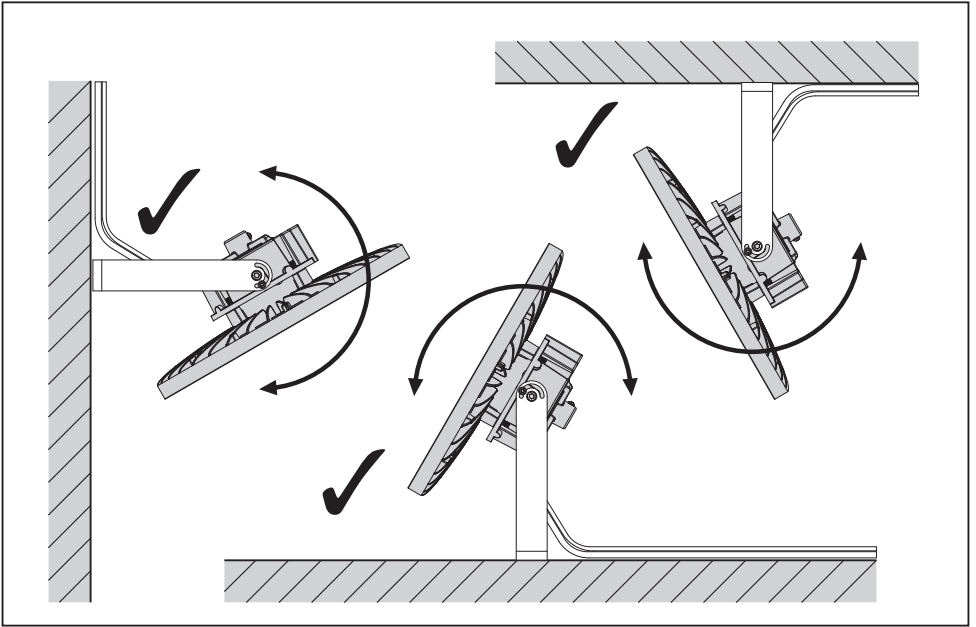
M4*8



HIGHBAY GEN5



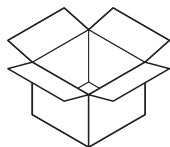
HIGHBAY GEN5



HIGHBAY GEN5

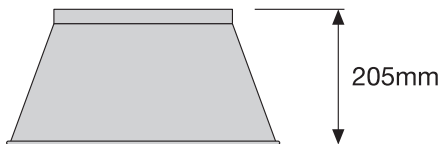
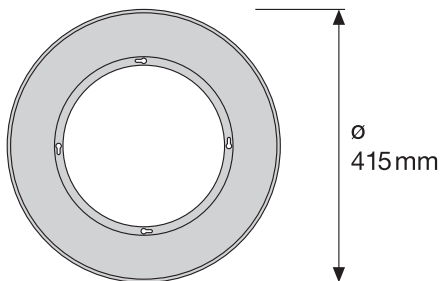
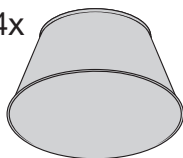


HB ALU REFLECTOR 415 EAN 4058075844568

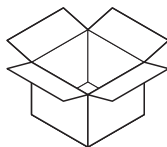


1x 
M4*6

4x

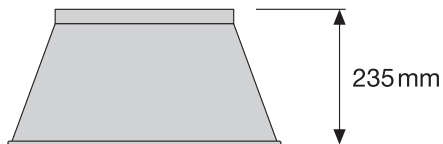
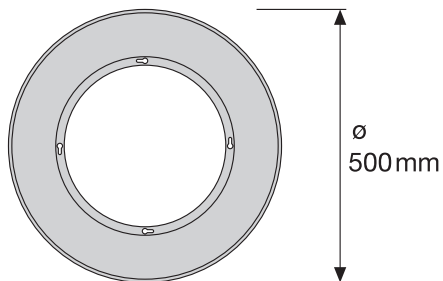
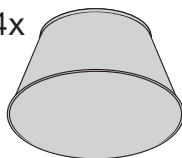


HB ALU REFLECTOR 500 EAN 4058075844582



1x 
M4*6

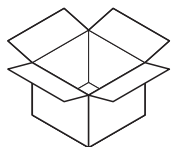
4x



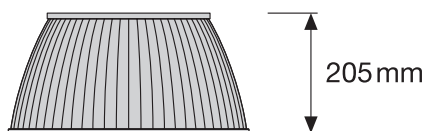
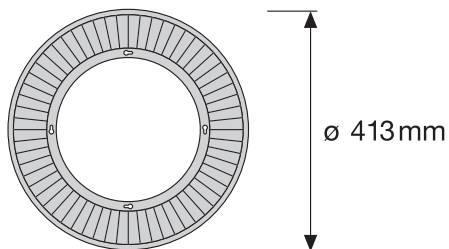
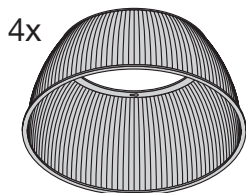
HIGHBAY GEN5



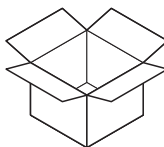
HB PC REFRACTOR 415
EAN 4058075844605



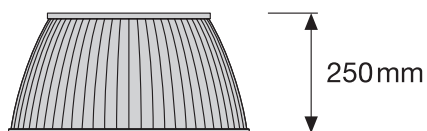
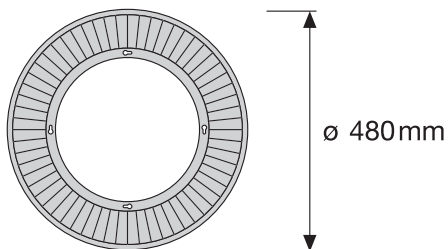
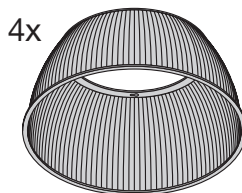
1x 
M4*12



HB PC REFRACTOR 500
EAN 4058075844629

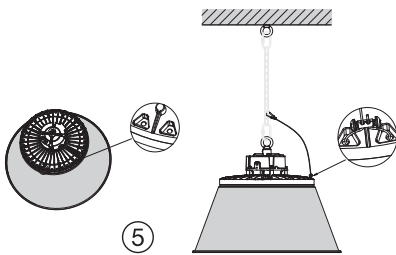
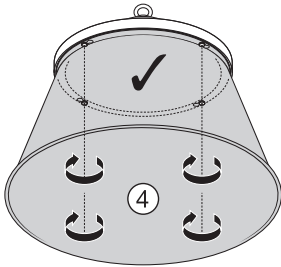
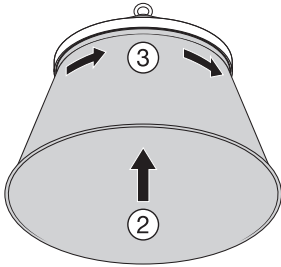
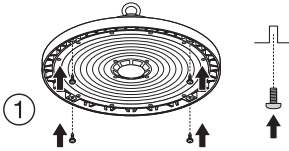
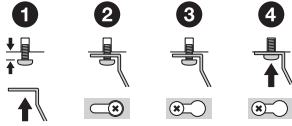


1x 
M4*12

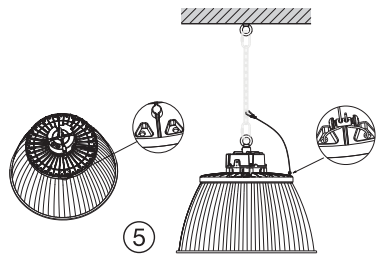
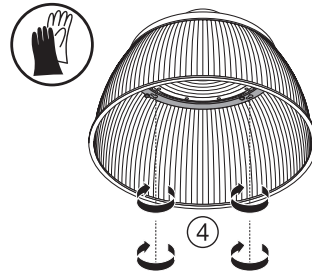
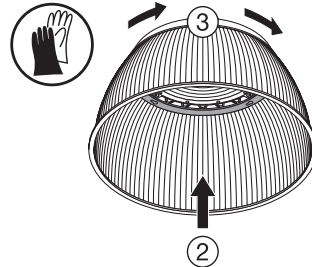
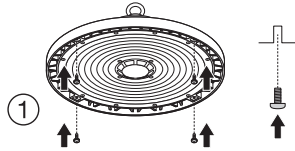
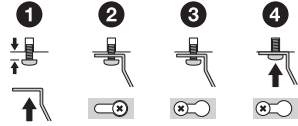




HB ALU REFLECTOR 75W-200W

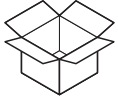



HB PC REFRACTOR 75W-200W



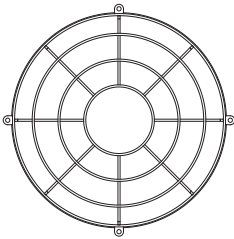
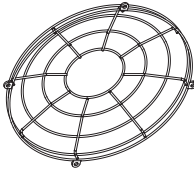


HB BALL PROOF COVER 270
EAN 4058075844520

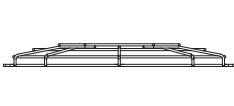


4x 
M4*12

1x

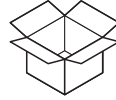


ø 270 mm



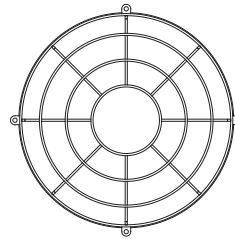
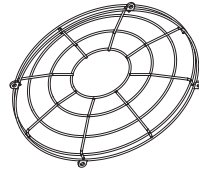
26.5 mm

HB BALL PROOF COVER 310
EAN 4058075844544

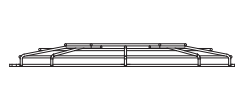


4x 
M4*12

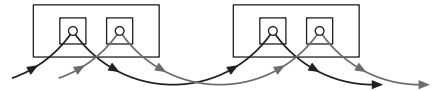
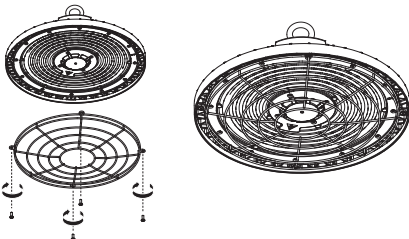
1x



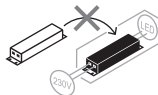
ø 310 mm



27.5 mm



n	B16A	C10A	C16A
HB P 75W	15	12	19
HB P 150W	13	10	16
HB P 200W	9	8	12



LEDVANCE GmbH
 Steinerne Furt 62
 86167 Augsburg, Germany
www.ledvance.com

C10449058
 G11193149
 07.06.24

© LEDVANCE Ltd, Sterling House,
 810 Mandarin Court, Warrington,
 Cheshire, WA1 1GG, United Kingdom