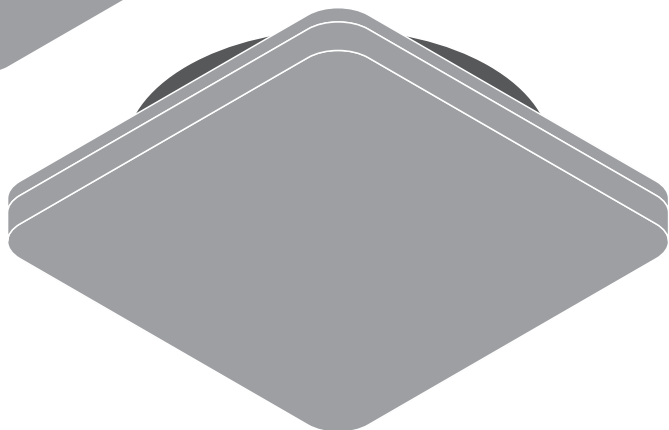
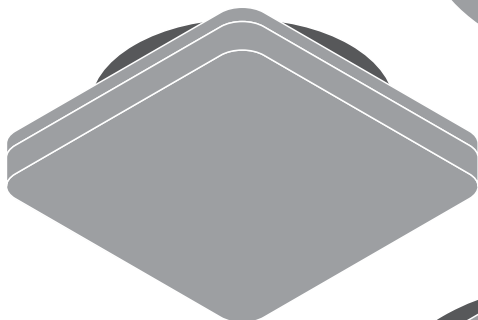
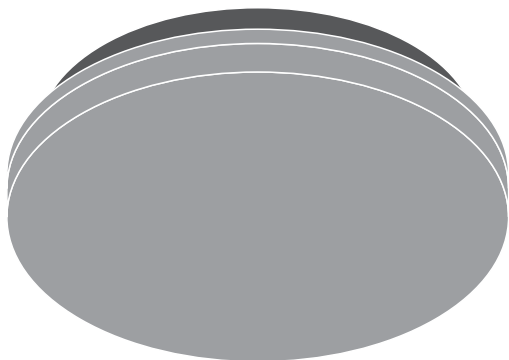
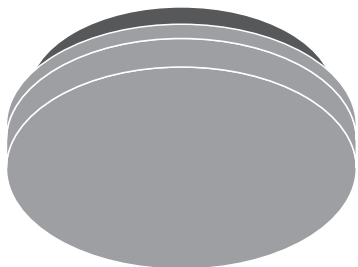

SURFACE FLAT
SURFACE FLAT SENSOR
SURFACE FLAT DALI



LEDVANCE



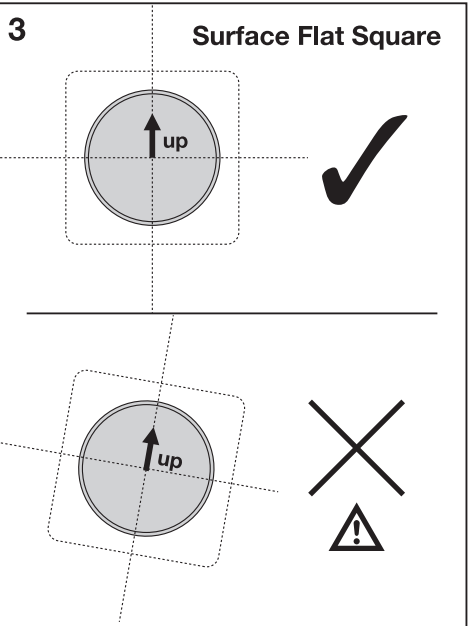
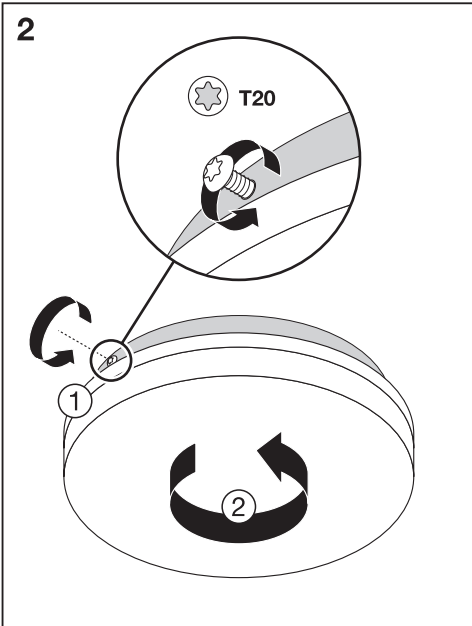
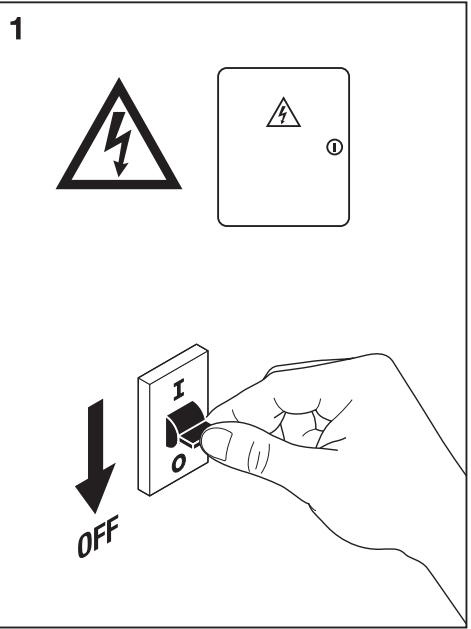
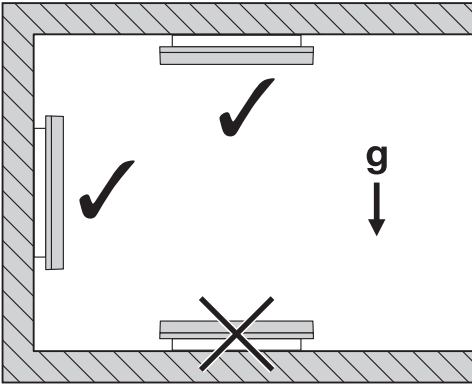
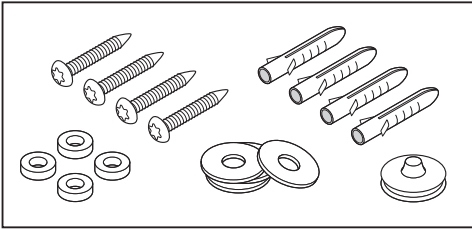
SURFACE FLAT



	EAN	lxwxh [mm]	4000K		3000K		VAC / VDC
SF FLAT RD 330 P 19W CPS	4099854292378	330x65	19W* 2660lm 140lm/W	12W* 1660lm 138lm/W	19W* 2490lm 131lm/W	12W* 1560lm 130lm/W	220-240V
SF FLAT SQ 330 P 19W CPS	4099854292491	330x330x65					220-240V
SF FLAT RD SEN 330 P 19W CPS	4099854292699	330x65					220-240V
SF FLAT SQ SEN 330 P 19W CPS	4099854292712	330x330x65					220-240V
SF FLAT RD 500 P 27W CPS	4099854292552	500x71	27W* 3780lm 140lm/W	19W* 2660lm 133lm/W	27W* 3600lm 133lm/W	19W* 2530lm 133lm/W	220-240V
SF FLAT SQ 500 P 27W CPS	4099854292675	500x500x71					220-240V
SF FLAT RD SEN 500 P 27W CPS	4099854292736	500x71					220-240V
SF FLAT SQ SEN 500 P 27W CPS	4099854292750	500x500x71					220-240V
SF FLAT RD DALI 500 P 27W CS*	4099854292774	500x71	27W 3780lm 140lm/W	-	27W 3600lm 133lm/W	-	220-240V
SF FLAT SQ DALI 500 P 27W CS*	4099854292798	500x500x71					220-240V

	EAN	Hz	IP	IK	∇	R _a	°(°C)	PF	👤
SF FLAT RD 330 P 19W CPS	4099854292378	50/60 Hz	54	IK08	120°	>80	-20...+45	>0.9	1.4 kg
SF FLAT SQ 330 P 19W CPS	4099854292491	50/60 Hz	54	IK08	120°	>80	-20...+45	>0.9	1.5 kg
SF FLAT RD SEN 330 P 19W CPS	4099854292699	50/60 Hz	54	IK08	120°	>80	-20...+45	>0.9	1.4 kg
SF FLAT SQ SEN 330 P 19W CPS	4099854292712	50/60 Hz	54	IK08	120°	>80	-20...+45	>0.9	1.6 kg
SF FLAT RD 500 P 27W CPS	4099854292552	50/60 Hz	54	IK08	120°	>80	-20...+45	>0.9	3.0 kg
SF FLAT SQ 500 P 27W CPS	4099854292675	50/60 Hz	54	IK08	120°	>80	-20...+45	>0.9	3.6 kg
SF FLAT RD SEN 500 P 27W CPS	4099854292736	50/60 Hz	54	IK08	120°	>80	-20...+45	>0.9	3.1 kg
SF FLAT SQ SEN 500 P 27W CPS	4099854292750	50/60 Hz	54	IK08	120°	>80	-20...+45	>0.9	3.7 kg
SF FLAT RD DALI 500 P 27W CS*	4099854292774	0/50/60 Hz	54	IK08	120°	>80	-20...+45	>0.9	3.1 kg
SF FLAT SQ DALI 500 P 27W CS*	4099854292798	0/50/60 Hz	54	IK08	120°	>80	-20...+45	>0.9	3.7 kg

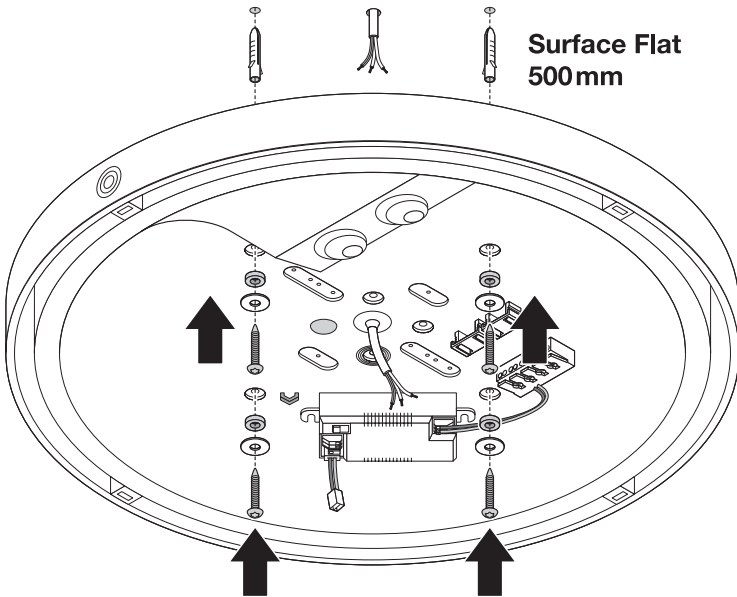
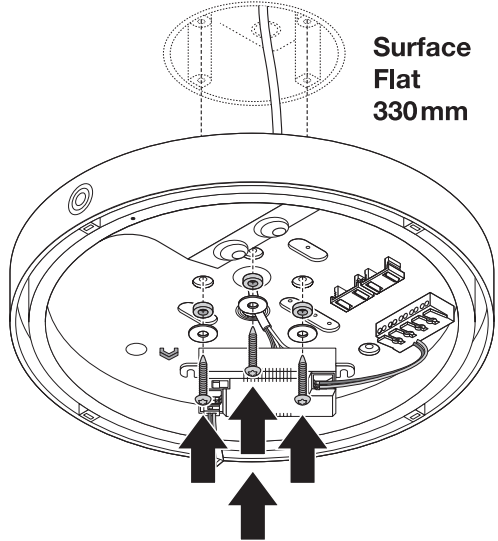
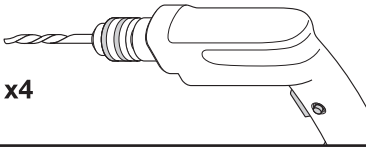
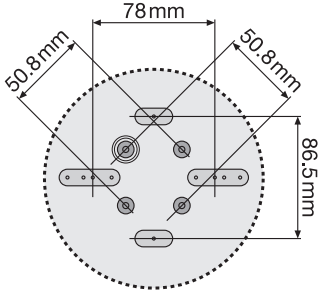
SURFACE FLAT



SURFACE FLAT



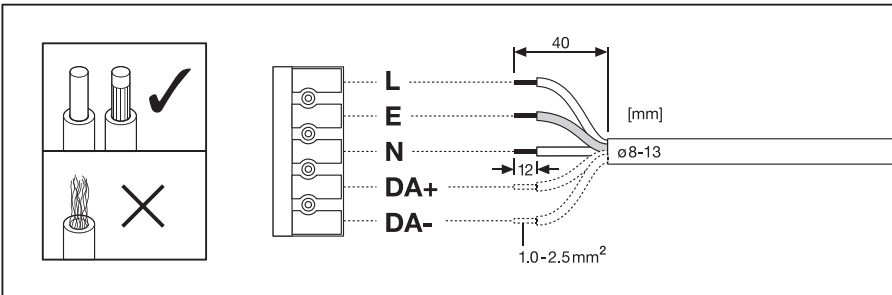
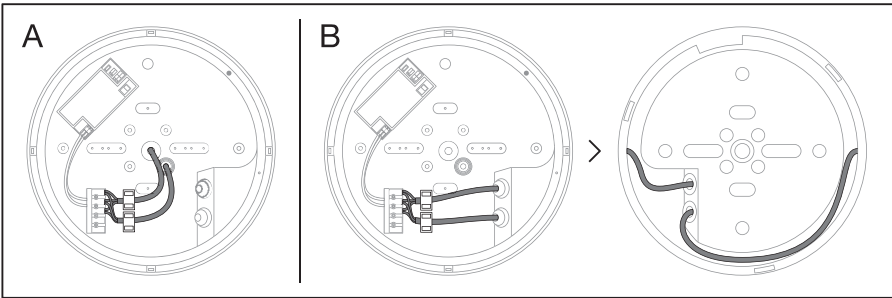
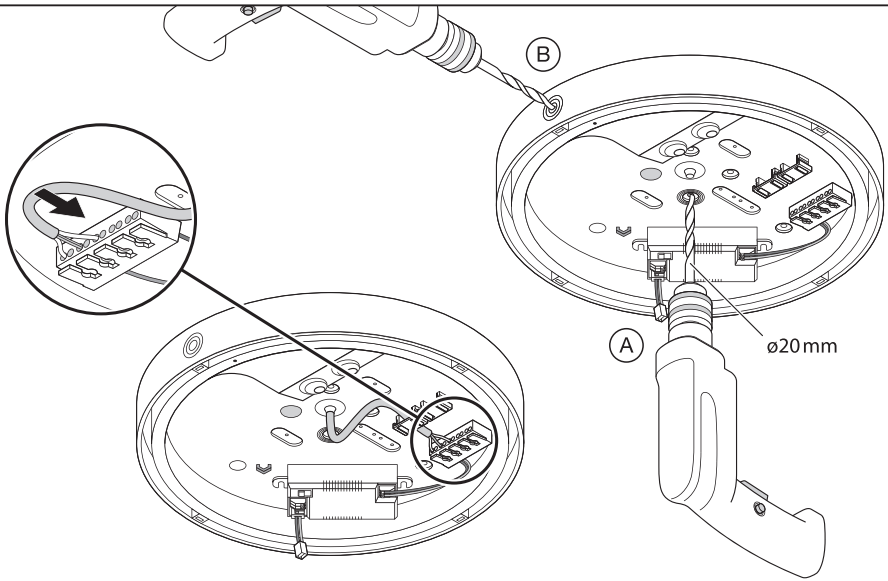
4



SURFACE FLAT



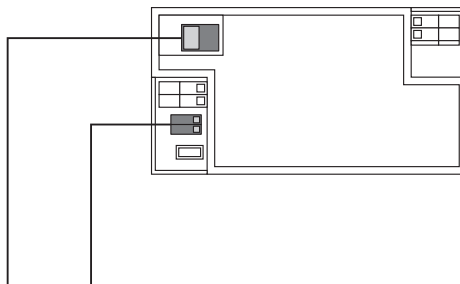
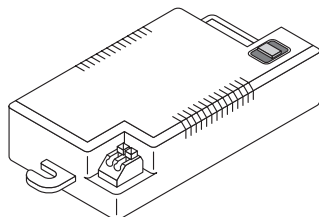
5



SURFACE FLAT



6

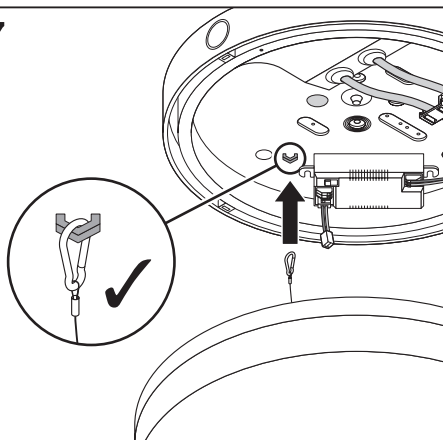


*

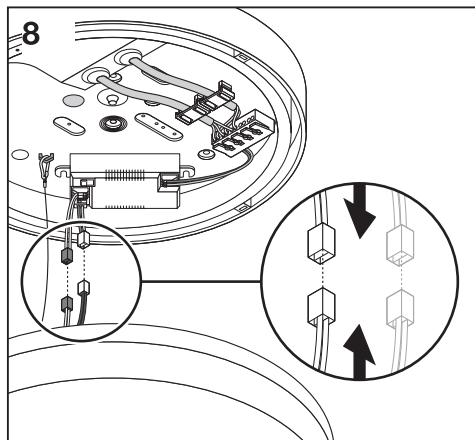
SF FLAT RD / SQ	DRIVER	CCT	W	Im	Im/W	EM W 230V DC	EM Im 230V DC	EM Im/W 230V DC
SF FLAT 330 SF FLAT SEN 330	DR DS SENS- P-19/220-240/450 SF FL EAN 4099854292859	4000K	19 12	2660 1660	140 138	-	-	-
		3000K	19 12	2490 1560	131 130	-	-	-
SF FLAT 500 SF FLAT SEN 500	DR DS-SENS- P-27/220-240/650 SF FL EAN 4099854292873	4000K	27 19	3780 2660	140 140	-	-	-
		3000K	27 19	3600 2530	133 133	-	-	-

SF FLAT DALI 500	OTI DALI 50/220...240/1A4 NFC EAN 4062172061889	4000K	27	3780	140	5.5	510	92
		3000K	27	3600	133	5.5	500	90

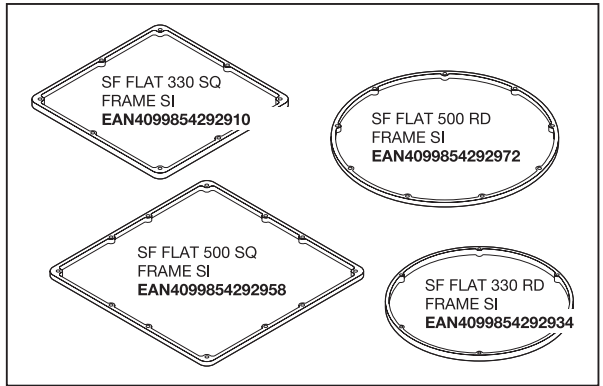
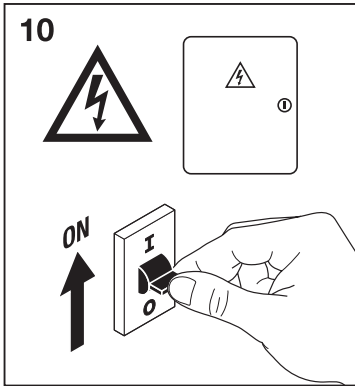
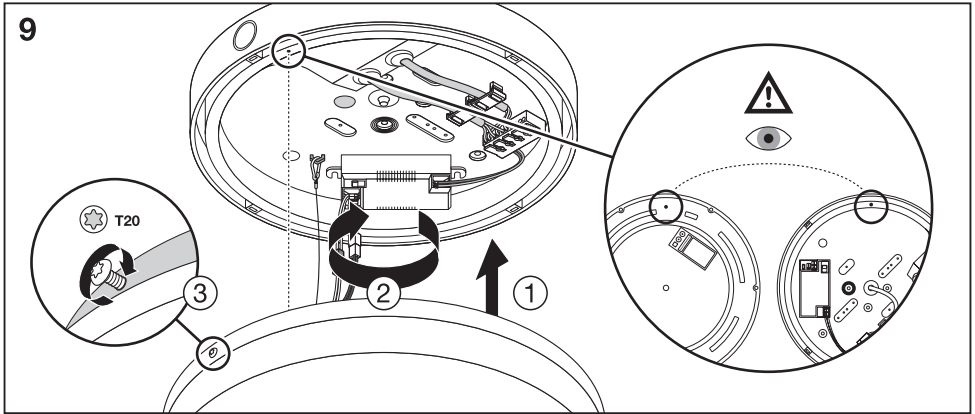
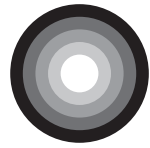
7



8



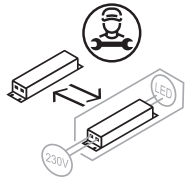
SURFACE FLAT



					DRIVER	DALI DIM
SF FLAT RD 330 P 19W CPS	n=46	n=57	n=46	n=73	DR DS SENS-P-19/220-240/450 SF FL	
SF FLAT SQ 330 P 19W CPS					DR DS-SENS-P-27/220-240/650 SF FL	
SF FLAT RD 500 P 27W CPS					DR DS SENS-P-19/220-240/450 SF FL	
SF FLAT SQ 500 P 27W CPS					DR DS-SENS-P-27/220-240/650 SF FL	
SF FLAT RD SEN 330 P 19W CPS					OSRAM OTI DALI 50/220-240/1A4 NFC	
SF FLAT SQ SEN 330 P 19W CPS						
SF FLAT RD SEN 500 P 27W CPS						
SF FLAT SQ SEN 500 P 27W CPS						
SF FLAT RD DALI 500 P 27W CS	n=8	n=11	n=10	n=16	OSRAM OTI DALI 50/220-240/1A4 NFC	
SF FLAT SQ DALI 500 P 27W CS						



www.ledvance.com/everloop



FR
Cet appareil et ses accessoires se recyclent

À DÉPOSER EN MAGASIN
OU
À DÉPOSER EN DÉCHÈTERIE

Points de collecte sur www.quefairedemesdechets.fr



C10449058
G11196297

13.05.24

LEDVANCE GmbH
Steinerne Furt 62
86167 Augsburg, Germany
www.ledvance.com

© LEDVANCE Ltd, Sterling House,
810 Mandarin Court, Warrington,
Cheshire, WA1 1GG, United Kingdom