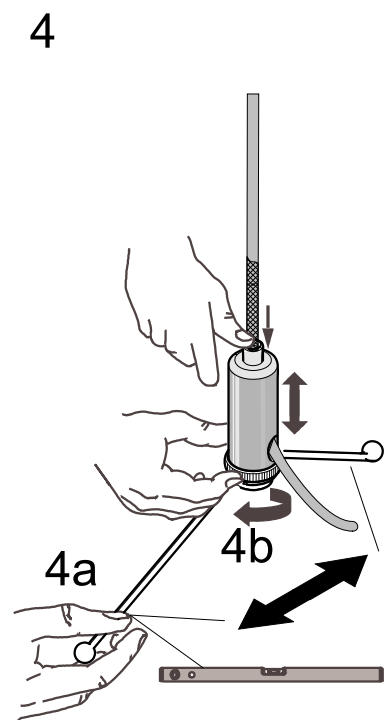
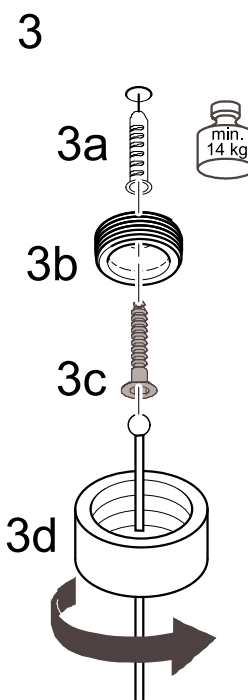
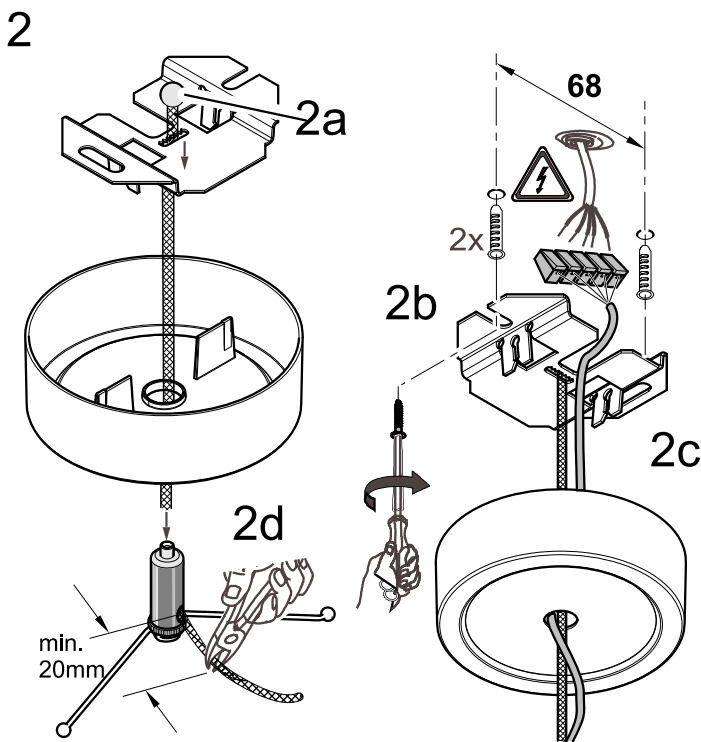
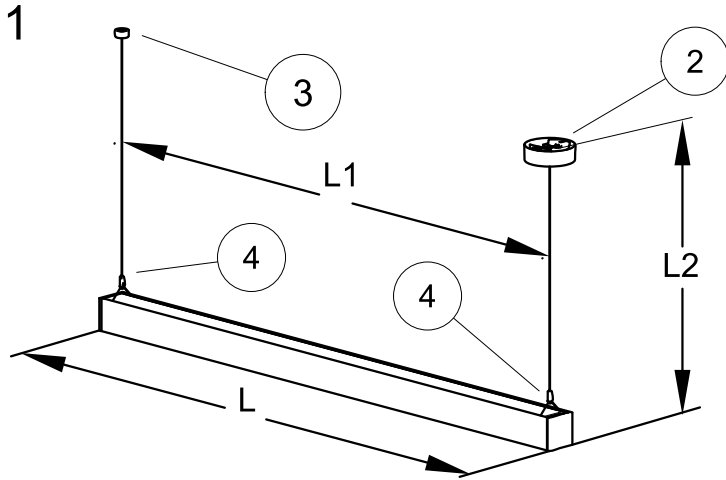


Typ	L	L1	L2	kg
56W	1209	1150-1195	1000	3
2x56W	2407	2348-2393	1000	5,4



L = braun/brown  
 N = blau/blue  
 PE = gelb-grün/yellow-green  
 DA = schwarz/black  
 DA = grau/grey