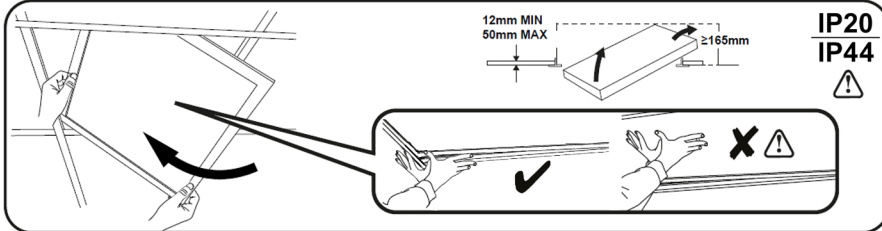
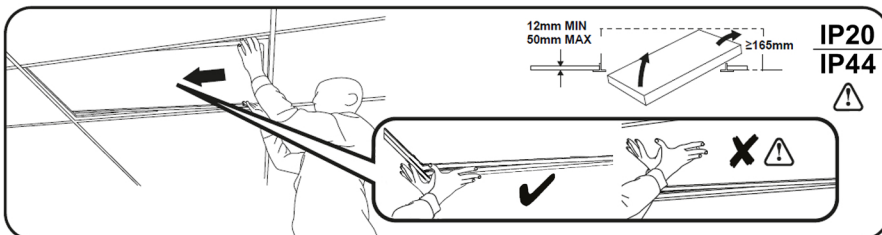


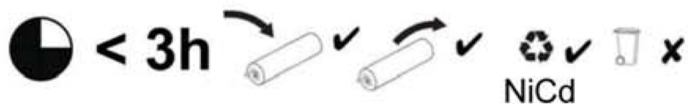
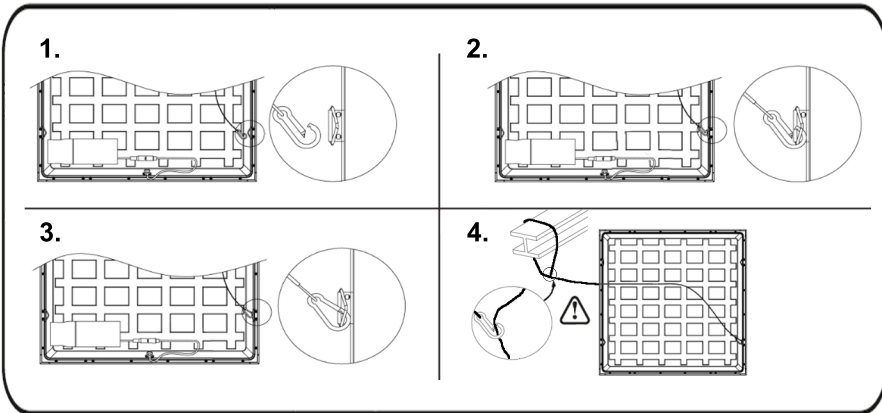
600/625



3x12



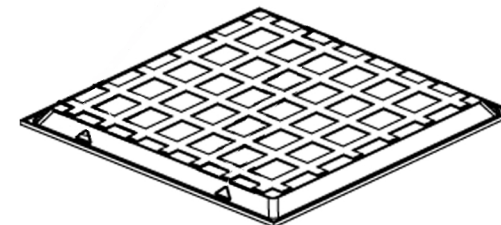
600/3x12



59011512 - BETA3 REPLACEMENT BATTERY NICD3.6V 4.5Ah

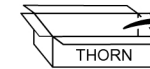


# THORN



## BETA III

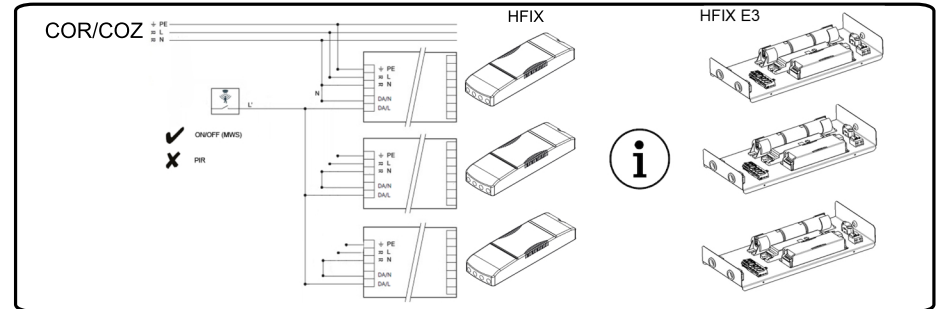
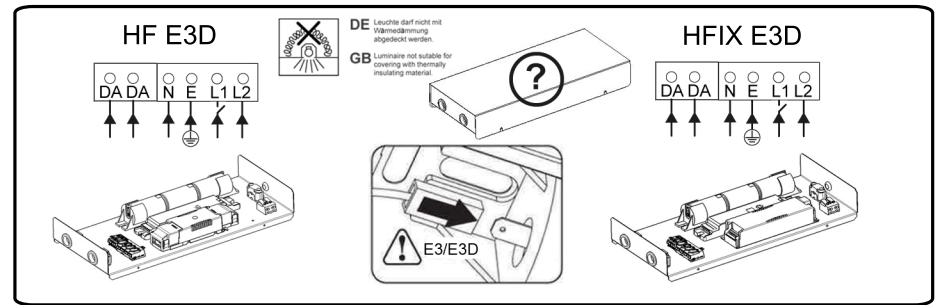
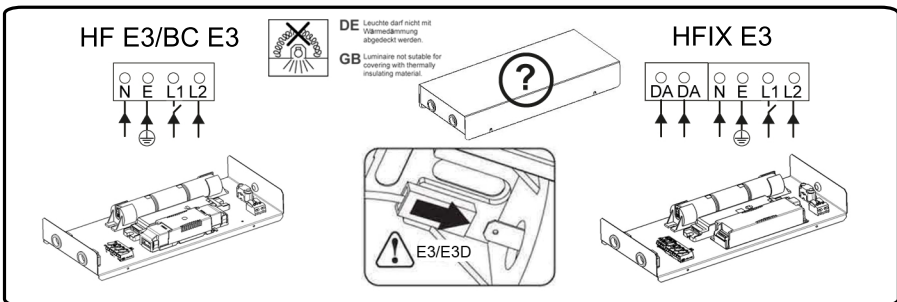
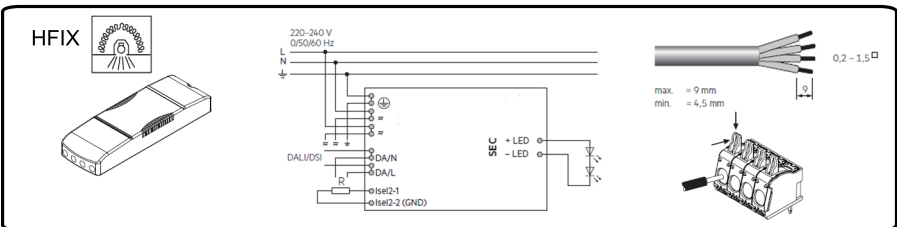
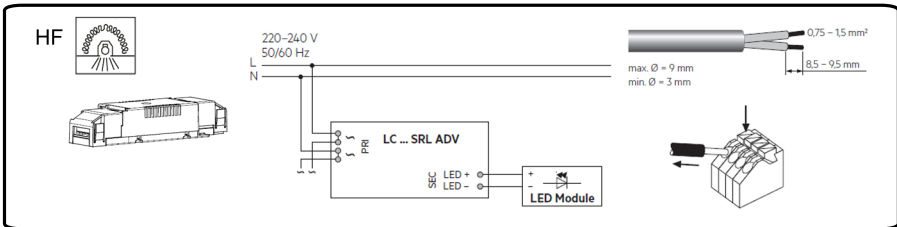
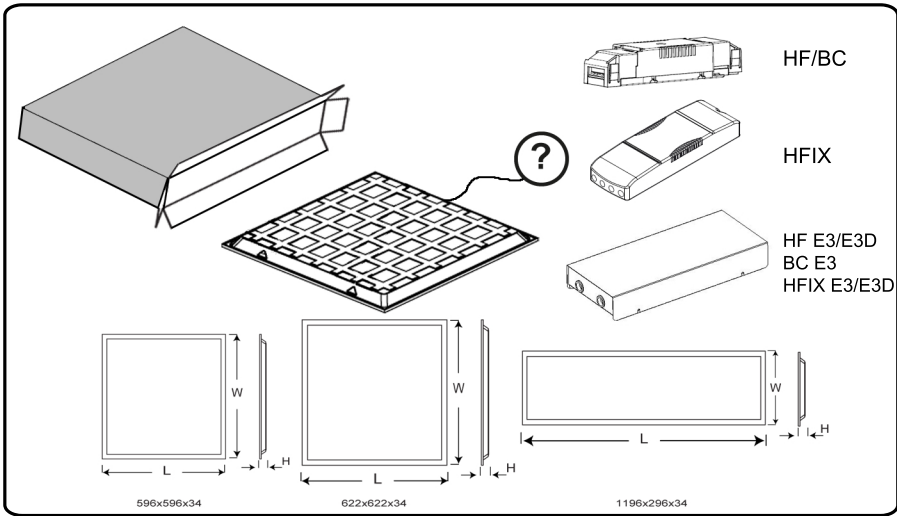
Q600  
Q625  
3X12



**IP20**  
**IP44**

- [CZ] Montážní návod
- [DE] Montageanleitung
- [DK] Monteringsvejledning
- [EE] Paigaldusjuhend
- [FI] Asennusohje
- [FR] Notice de montage
- [HU] Szerelési útmutató
- [IT] Istruzioni di montaggio

- [LT] Montavimo Instrukcijos
- [LV] Instalācijas instrukcija
- [NO] Monteringsanvisning
- [PL] Instrukcja montażu
- [RU] Инструкция по монтажу
- [SE] Installationsanvisning
- [UK] Installation Instructions



**Product info BC**

[www.tridonic.com/com/en/products/basicdim-wireless.asp](http://www.tridonic.com/com/en/products/basicdim-wireless.asp)

**Documentation**

EN

DE

**APP store**

GET IT ON  
**Google Play**

Download on the  
**App Store**

**Planning Notes Wireless**  
(basicDIM wireless/THORN BC Luminaires)

# THORN