

panel mounting socket outlet, straight - flange 56x56, fixing centers 44x44

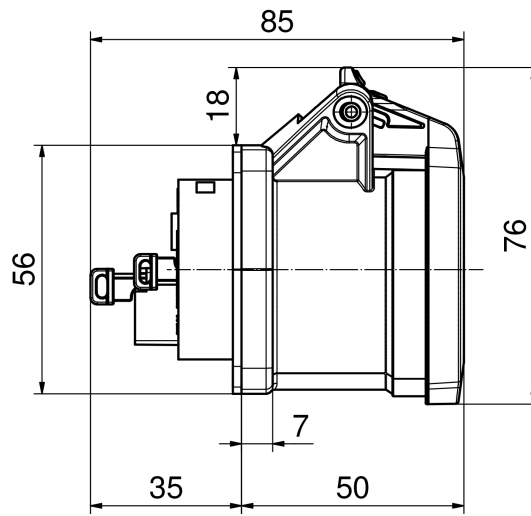
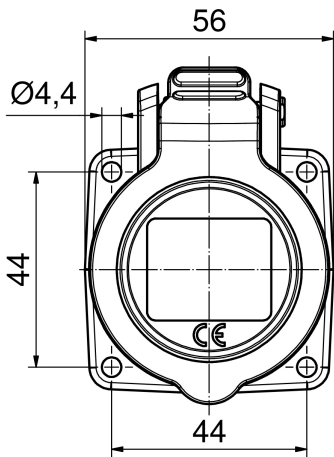


Product description	
BALS-Prd.-Nr	136461
EAN	4024941395526
Product category	Panel mounting socket outlet INNOLINQ QUICK-CONNECT straight
Current	16A
Number of poles	3p
Arrangement of phases	2P+PE
Position of earth contact	6 h
Voltage	200 - 250V~

Product description	
Frequency	50/60Hz
Protection degree	IP54
Colour code	blue RAL 5015
Colour of appliance	Hinged lid blue RAL 5015, Enclosure grey RAL 7035
Connection design	screwless spring terminals with KONTEX-ULTRA contact
Maximum conductor size	4,0 qmm
Cable entry	other
Height	73mm
Width	56mm
Depth	87mm
Flange size vertical in mm	56mm
Flange size horizontal in mm	56mm
Drill hole dist. vertical mm	44mm
Drill hole dist. horizontal mm	44mm
Material of enclosure	Polyamide
Contacts	The contact carrier is made of polyamide, The contacts are brass

Additional technical properties	
	This product is without any lead

Logistics data	
Weight/pcs	0.1 kg / Piece
Packaging	Bag
Content amount	1 ST
EAN	4024941395526
Length	87 mm
Width	56 mm
Height	73 mm
Weight	0.101 kg
Volume	355.656 ccm
Packaging	Carton
Content amount	10 ST
EAN	4024941398091
Length	207 mm
Width	162 mm
Height	142 mm
Weight	1.1 kg
Volume	3,750 ccm



Einbauöffnung

