

# panel mounting socket outlet, straight - flange 75x75, fixing centers 60x60

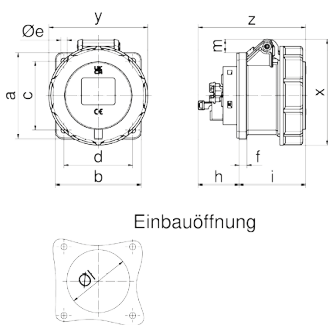


Product description	
BALS-Prd.-Nr	137621
EAN	4024941379533
Product category	Panel mounting socket outlet INNOLINQ QUICK-CONNECT straight
Current	32A
Number of poles	5p
Arrangement of phases	3p+N+PE
Position of earth contact	6 h
Voltage	200/346 - 240/415V~

Product description	
Frequency	50/60Hz
Protection degree	IP67
Colour code	red RAL 3000
Colour of appliance	Hinged lid red RAL 3000, Enclosure grey RAL 7035, Bayonet ring grey RAL 7035
Connection design	screwless spring terminals with KONTEX-ULTRA contact
Maximum conductor size	10,0 qmm
Cable entry	other
Height	105mm
Width	101mm
Depth	110mm
Flange size vertical in mm	75mm
Flange size horizontal in mm	75mm
Drill hole dist. vertical mm	60mm
Drill hole dist. horizontal mm	60mm
Material of enclosure	Polyamide
Contacts	The contact carrier is made of polyamide, The contacts are brass

Logistics data	
Weight/pcs	0.0 kg / Piece
Packaging	Bag

Logistics data	
Content amount	1 ST
EAN	4024941379533
Length	110 mm
Width	101 mm
Height	105 mm
Weight	0.001 kg
Volume	1,166.55 ccm
Packaging	Carton
Content amount	10 ST
EAN	4024941397759
Length	258 mm
Width	183 mm
Height	212 mm
Weight	0.152 kg
Volume	8,750 ccm



Ampere Poles	16 3	16 5	32 3	32 4	32 5
a	75,0	75,0	75,0	75,0	75,0
b	75,0	75,0	75,0	75,0	75,0
c	60,0	60,0	60,0	60,0	60,0
d	60,0	60,0	60,0	60,0	60,0
Øe	5,5	5,5	5,5	5,5	5,5
f	7,0	7,0	7,0	7,0	7,0
h	36,0	37,0	46,0	46,0	46,0
i	58,0	59,0	69,0	69,0	69,0
Øl	45,0	55,0	55,0	55,0	65,0
m	4,5	12,0	12,0	12,0	18,5
x	80,0	93,0	97,0	97,0	107,0
y	75,0	86,5	94,0	94,0	101,5
z	94,0	94,0	115,0	115,0	114,0

4MB503

