

panel mounting socket outlet, angled - flange 74x62,  
fixing centers 60x52

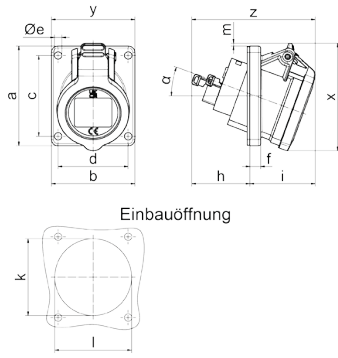


| Product description       |  |
|---------------------------|--|
| BALS-Prd.-Nr              | 127721   |
| EAN                       | 4024941379786  |
| Product category          | Panel mounting socket outlet INNOLINQ QUICK-CONNECT angled |
| Current                   | 16A  |
| Number of poles           | 3p   |
| Arrangement of phases     | 2P+PE  |
| Position of earth contact | 6 h  |
| Voltage                   | 200 - 250V~  |

| Product description            |  |
|--------------------------------|--|
| Frequency                      | 50/60Hz  |
| Protection degree              | IP54   |
| Colour code                    | blue RAL 5015  |
| Colour of appliance            | Hinged lid blue RAL 5015, Enclosure grey RAL 7035  |
| Connection design              | screwless spring terminals with KONTEX-ULTRA contact                                       |
| Maximum conductor size         | 4,0 qmm  |
| Cable entry                    | other  |
| Height                         | 80mm   |
| Width                          | 62mm   |
| Depth                          | 92mm   |
| Flange size vertical in mm     | 74mm   |
| Flange size horizontal in mm   | 62mm   |
| Drill hole dist. vertical mm   | 60mm   |
| Drill hole dist. horizontal mm | 52mm   |
| Material of enclosure          | Polyamide  |
| Contacts                       | The contacts are brass, The contact carrier is made of high temperature resistant material |

| Additional technical properties |  |
|---------------------------------|--|
|                                 | The inclination is 20°, This product is without any lead |

| Logistics data |                |
|----------------|----------------|
| Weight/pcs     | 0.1 kg / Piece |
| Packaging      | Bag            |
| Content amount | 1 ST           |
| EAN            | 4024941379786  |
| Length         | 92 mm          |
| Width          | 62 mm          |
| Height         | 80 mm          |
| Weight         | 0.101 kg       |
| Volume         | 456.32 ccm     |
| Packaging      | Carton         |
| Content amount | 10 ST          |
| EAN            | 4024941383424  |
| Length         | 207 mm         |
| Width          | 162 mm         |
| Height         | 142 mm         |
| Weight         | 1.1 kg         |
| Volume         | 3,750 ccm      |



4MB506

|        |      |
|--------|------|
| Ampere | 16   |
| Poles  | 3    |
| a      | 74,0 |
| b      | 62,0 |
| c      | 60,0 |
| d      | 52,0 |
| Øe     | 5,5  |
| f      | 8,0  |
| h      | 43,0 |
| i      | 49,0 |
| k      | 57,0 |
| l      | 52,0 |
| m      | 2,0  |
| x      | 80,0 |
| y      | 62,0 |
| z      | 92,0 |
| α      | 20°  |

