

DEHNcube DCU 2 YPV 1100 1M 1S MC4 FM / DCU 2 YPV 1100 2M 1S MC4 / DCU 2 YPV 1+2 1200 1M 1S MC4 / DCU 2 YPV 1+2 1200 2M 1S MC4

Anwendung Photovoltaik / Application photo-voltaic

- DE Einbauanleitung
- GB Installation instructions
- IT Istruzioni di montaggio
- FR Instructions de montage
- NL Montagehandleiding
- ES Instrucciones de montaje
- PT Instruções de montagem
- DK Monteringsvejledning
- SE Monteringsanvisning
- FI Asennusohje
- GR Οδηγίες συναρμολόγησης
- PL Instrukcja montażu
- CZ Montážní návod
- TR Kurulum Talimatları
- RU Инструкция по монтажу
- CN 安装说明
- HU Szerelési útmutató
- JP 設置説明書

DIN EN IEC 61439-2  
 2 EN 50539-11...  
 II IEC 61643-31  
 2 EN 61643-31



|                     | DCU 2 YPV 1100 1M 1S MC4 FM | DCU 2 YPV 1100 2M 1S MC4 | DCU 2 YPV 1+2 1200 1M 1S MC4 | DCU 2 YPV 1+2 1200 2M 1S MC4 |
|---------------------|-----------------------------|--------------------------|------------------------------|------------------------------|
| U <sub>CPV</sub>    | 1100 V DC                   |                          | 1200 V DC                    |                              |
| I <sub>total</sub>  | 40 kA (8/20)                |                          | 12.5 kA (10/350)             |                              |
| I <sub>imp</sub>    | ---                         |                          | 6.25 kA (10/350)             |                              |
| I <sub>n</sub>      | ---                         |                          | 20 kA (8/20)                 |                              |
| I <sub>max</sub>    | ---                         |                          | 40 kA (8/20)                 |                              |
| I <sub>SCPV</sub>   | 10 kA                       |                          |                              |                              |
| I <sub>CPV</sub>    | < 50 µA                     |                          | < 100 µA                     |                              |
| I <sub>PE, AC</sub> | ≤ 500 µA                    | ≤ 700 µA                 | ≤ 800 µA                     | 800 ≤ µA*                    |
| I <sub>PE, DC</sub> | ≤ 25 µA                     | ≤ 35 µA                  | ≤ 100 µA                     | 100 ≤ µA*                    |
| φ                   | 5% ... 95%                  |                          |                              |                              |
| 9°                  | -35°C ... +60°C             |                          |                              |                              |
| IP 1)               | 65                          |                          |                              |                              |
| failure behaviour   | open circuit                |                          |                              |                              |
| Ausfallverhalten    | Abtrennung                  |                          |                              |                              |
| L x W x H           | 130 x 182 x 111             | 180 x 180 x 111          | 130 x 182 x 111              | 180 x 254 x 111              |

\*gilt für einen Ableiter / applies to one arrester

Hinweis:

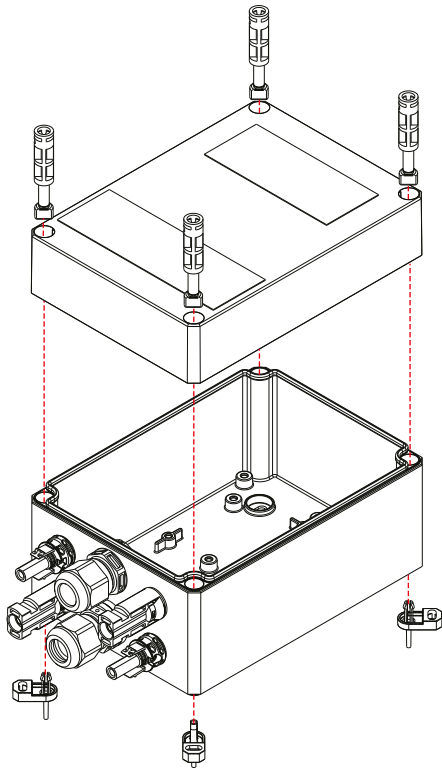
➔ DCU ..., ist für den Einsatz in dc-seitig hart geerdeten und nicht geerdeten PV-Systemen geeignet!

Note:

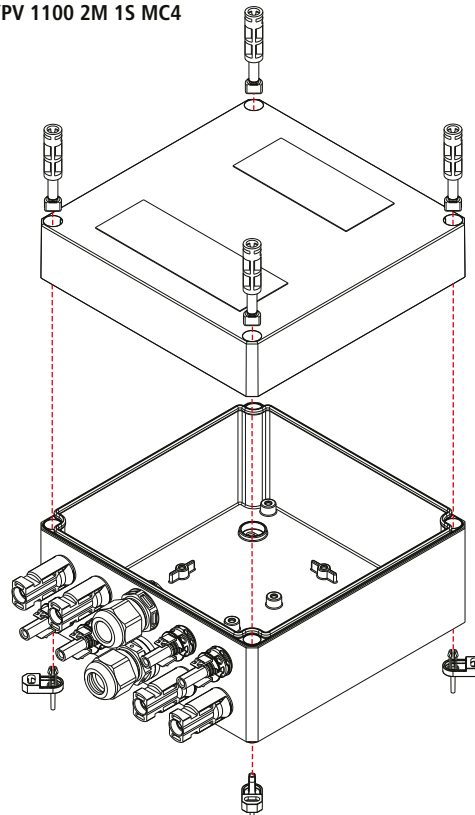
➔ DCU ..., is suitable for use in PV systems solidly earthed on the d.c. side and unearthed PV systems!

Montage / Assembly

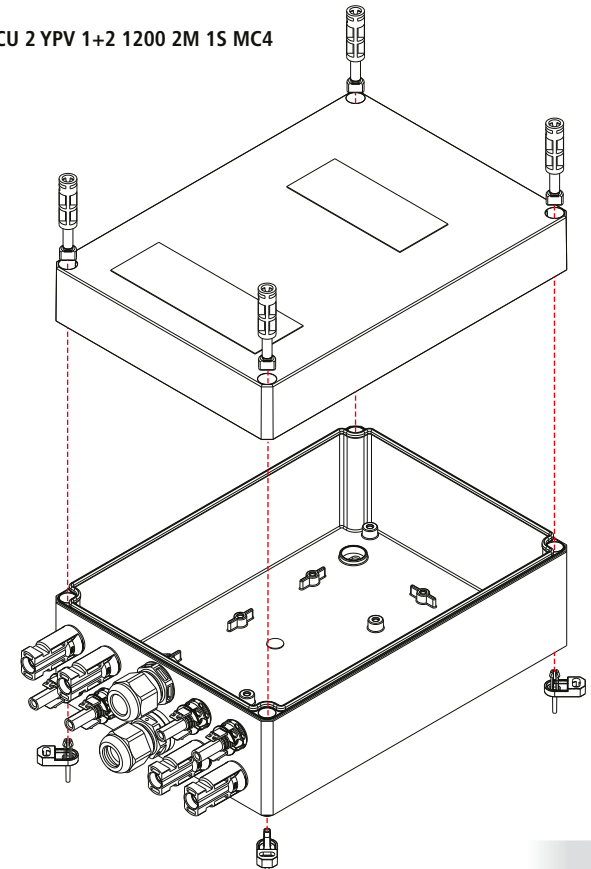
DCU 2 YPV 1+2 1200 1M 1S MC4  
 DCU 2 YPV 1100 1M 1S MC4 FM



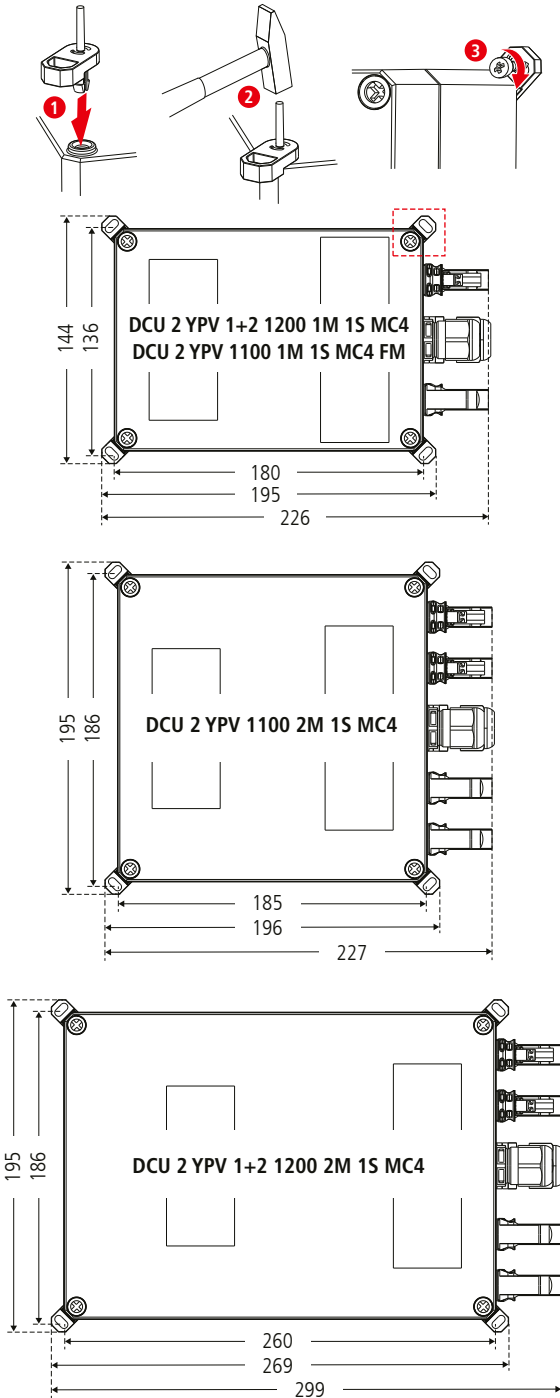
DCU 2 YPV 1100 2M 1S MC4



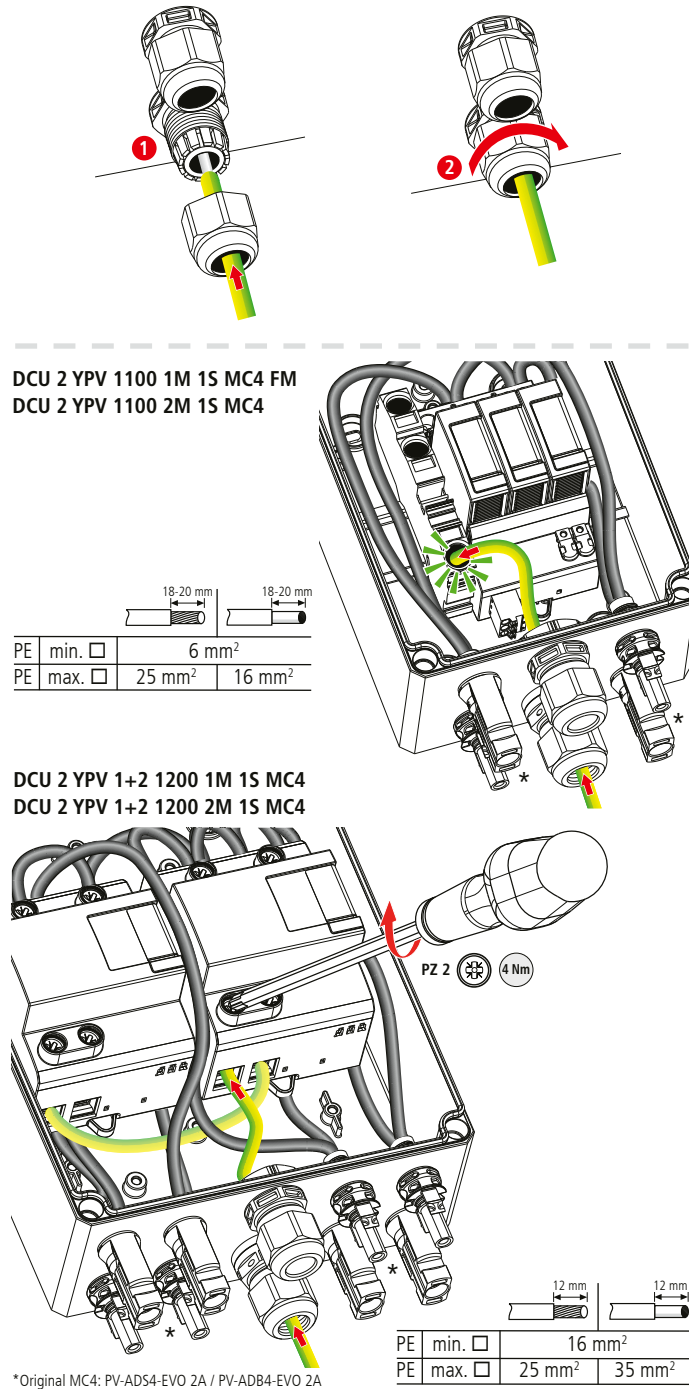
DCU 2 YPV 1+2 1200 2M 1S MC4



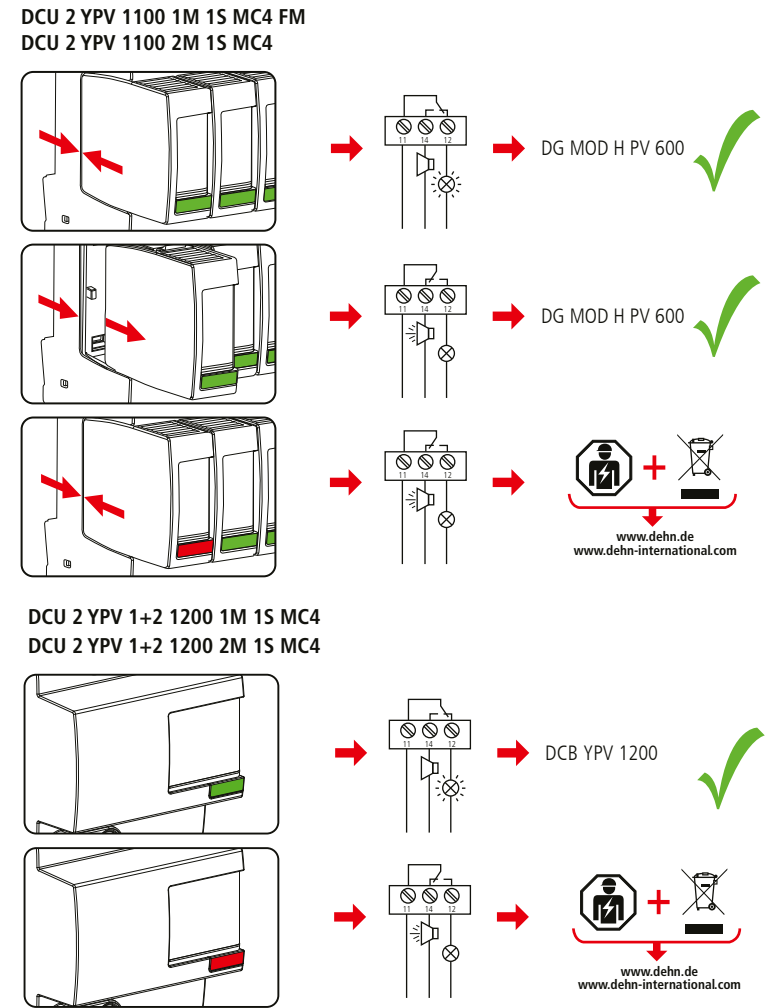
Montage / Assembly



Anschluss / Connection



Defektanzeige / Fault indication

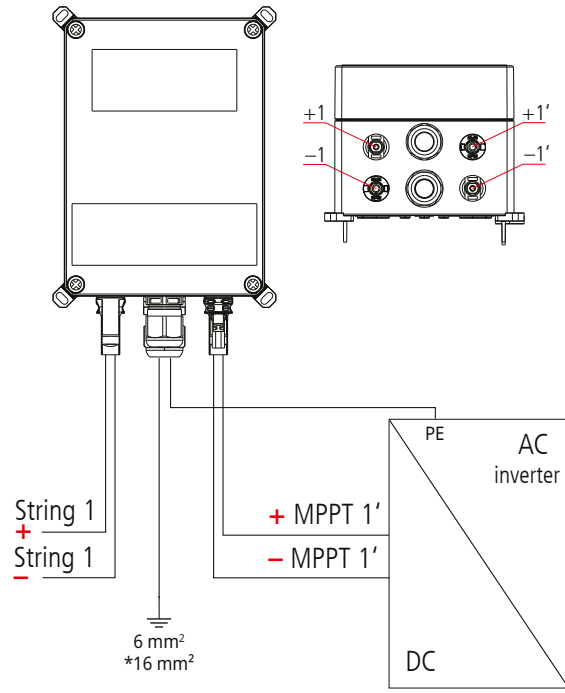


|                          |  |
|--------------------------|--|
|                          | AC: 250 V / 0.5 A                                  |
|                          | DC: 250 V / 0.1 A<br>125 V / 0.2 A<br>75 V / 0.5 A |
| max. 1.5 mm <sup>2</sup> |  |

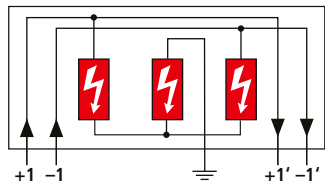
\*Original MC4: PV-ADS4-EVO 2A / PV-ADB4-EVO 2A

Anwendung Photovoltaik / Use for photovoltaic systems

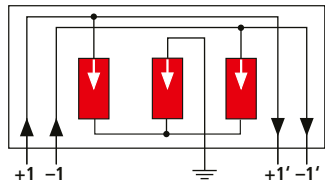
DCU 2 YPV 1+2 1200 1M 1S MC4\*  
DCU 2 YPV 1100 1M 1S MC4 FM



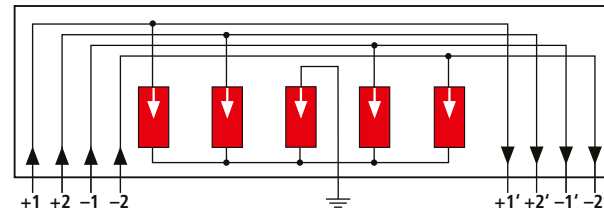
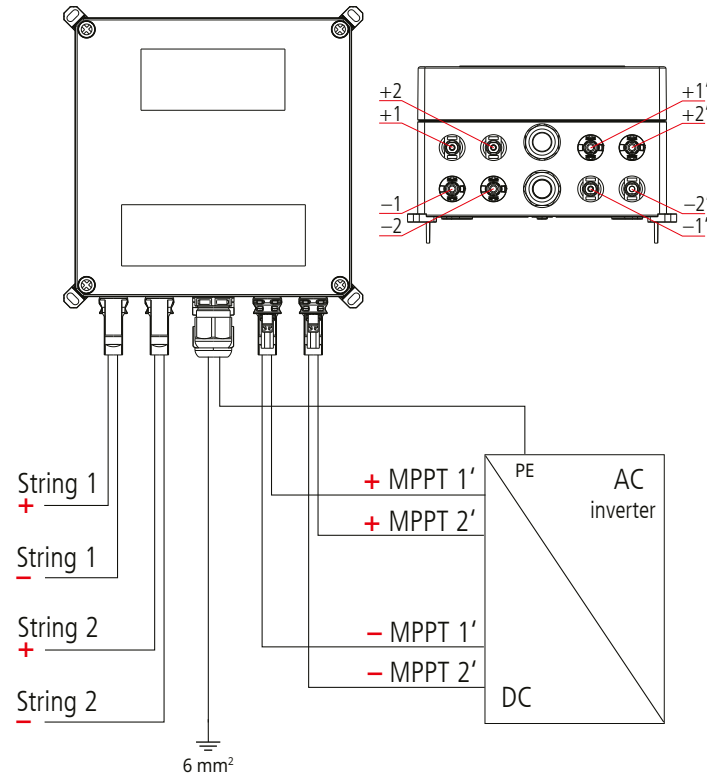
DCU 2 YPV 1+2 1200 1M 1S MC4\*



DCU 2 YPV 1100 1M 1S MC4 FM



DCU 2 YPV 1100 2M 1S MC4



DCU 2 YPV 1+2 1200 2M 1S MC4

