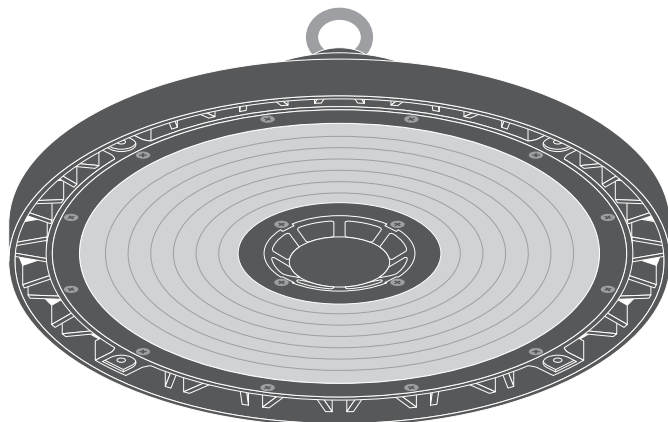
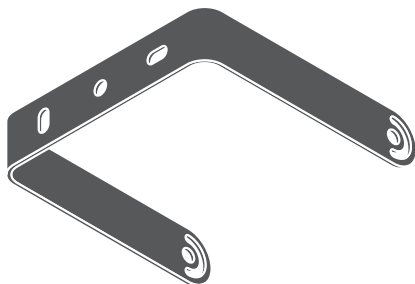



# HIGHBAY DALI

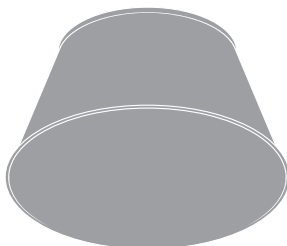




	EAN	Ø x h [mm]	W	V <sub>AC/DC</sub>	Hz	lm	lm/W	K
HB DA P 75W 840 70DEG IP66	4058075844407	280 x 161	75	220-240	0/50/60	13275	177	4000
HB DA P 75W 840 110DEG IP66	4058075844414	280 x 161	75	220-240	0/50/60	13500	180	4000
HB DA P 150W 840 70DEG IP66	4058075844421	321 x 160	150	220-240	0/50/60	26400	176	4000
HB DA P 150W 840 110DEG IP66	4058075844438	321 x 160	150	220-240	0/50/60	26550	177	4000
HB DA P 200W 840 70DEG IP66	4058075844445	321 x 162	200	220-240	0/50/60	35200	176	4000
HB DA P 200W 840 110DEG IP66	4058075844452	321 x 162	200	220-240	0/50/60	36200	181	4000
HB DA P 75W 865 70DEG IP66	4058075844469	280 x 161	75	220-240	0/50/60	13125	175	6500
HB DA P 75W 865 110DEG IP66	4058075844476	280 x 161	75	220-240	0/50/60	13200	176	6500
HB DA P 150W 865 70DEG IP66	4058075844483	321 x 160	150	220-240	0/50/60	26250	175	6500
HB DA P 150W 865 110DEG IP66	4058075844490	321 x 160	150	220-240	0/50/60	26250	175	6500
HB DA P 200W 865 70DEG IP66	4058075844506	321 x 162	200	220-240	0/50/60	35000	175	6500
HB DA P 200W 865 110DEG IP66	4058075844513	321 x 162	200	220-240	0/50/60	35000	175	6500

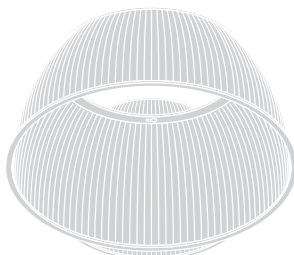
	EAN	IP	IK	∇	R <sub>a</sub>	⊖ (°C)	PF	👤
HB DA P 75W 840 70DEG IP66	4058075844407	66	10	70	>80	-30...+50	>0.95	2.6 kg
HB DA P 75W 840 110DEG IP66	4058075844414	66	10	110	>80	-30...+50	>0.95	2.6 kg
HB DA P 150W 840 70DEG IP66	4058075844421	66	10	70	>80	-30...+50	>0.95	2.9 kg
HB DA P 150W 840 110DEG IP66	4058075844438	66	10	110	>80	-30...+50	>0.95	2.9 kg
HB DA P 200W 840 70DEG IP66	4058075844445	66	10	70	>80	-30...+50	>0.95	3.3 kg
HB DA P 200W 840 110DEG IP66	4058075844452	66	10	110	>80	-30...+50	>0.95	3.3 kg
HB DA P 75W 865 70DEG IP66	4058075844469	66	10	70	>80	-30...+50	>0.95	2.6 kg
HB DA P 75W 865 110DEG IP66	4058075844476	66	10	110	>80	-30...+50	>0.95	2.6 kg
HB DA P 150W 865 70DEG IP66	4058075844483	66	10	70	>80	-30...+50	>0.95	2.9 kg
HB DA P 150W 865 110DEG IP66	4058075844490	66	10	110	>80	-30...+50	>0.95	2.9 kg
HB DA P 200W 865 70DEG IP66	4058075844506	66	10	70	>80	-30...+50	>0.95	3.3 kg
HB DA P 200W 865 110DEG IP66	4058075844513	66	10	110	>80	-30...+50	>0.95	3.3 kg




	EAN	l x w x h [mm]	
<b>HB BRACKET 138</b>	4058075844643	138 x 35 x 203	0.35 kg

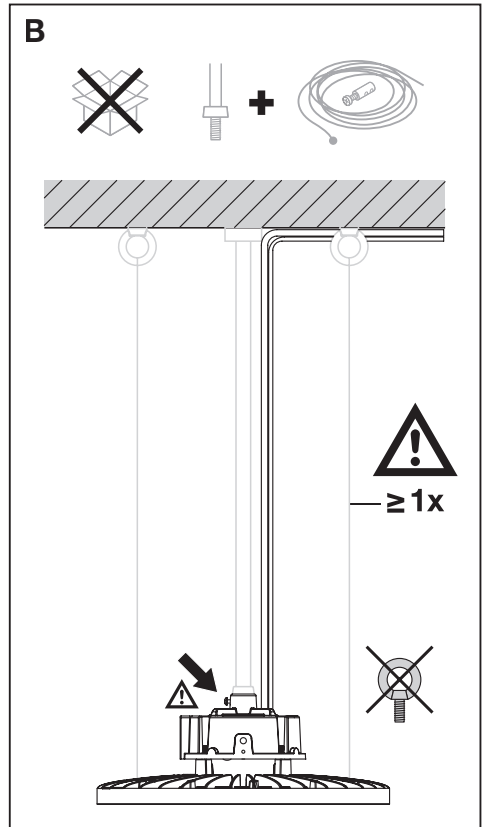
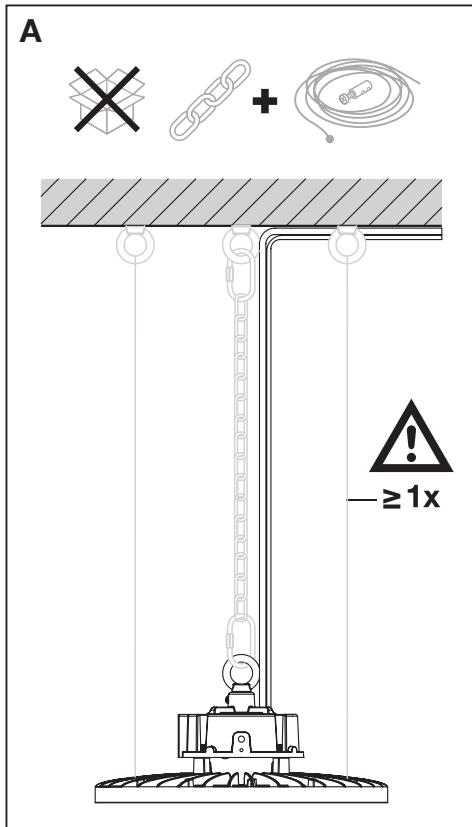
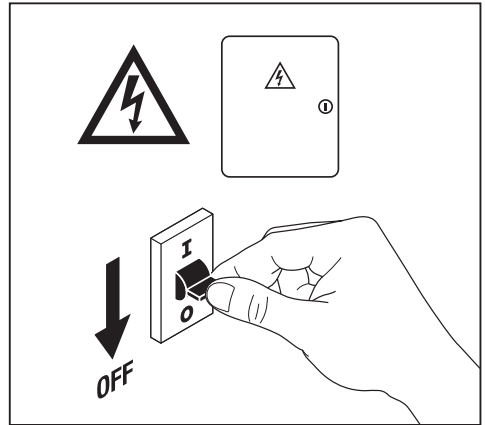
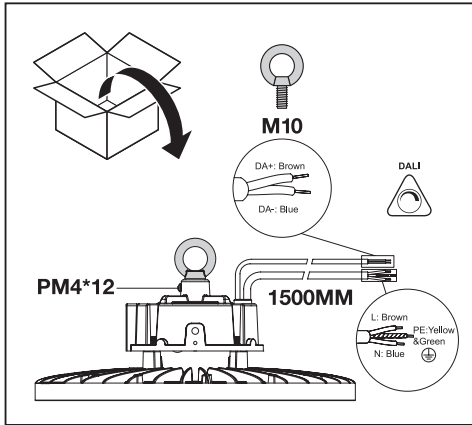


	EAN	Ø x h [mm]	
<b>HB ALU REFLECTOR 415</b>	4058075844568	415 x 205	0.3 kg
<b>HB ALU REFLECTOR 500</b>	4058075844582	500 x 235	0.5 kg



	EAN	Ø x h [mm]	
<b>HB PC REFRACTOR 415</b>	4058075844605	413 x 205	0.7 kg
<b>HB PC REFRACTOR 500</b>	4058075844629	480 x 250	1.0 kg

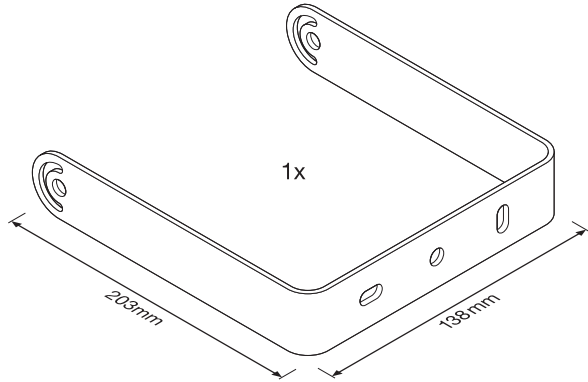
# HIGHBAY DALI







# HIGHBAY DALI

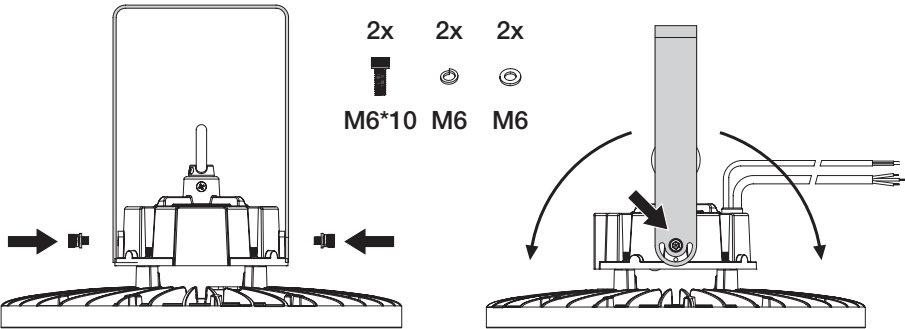


**HB Bracket 138**  
**EAN 4058075844643**

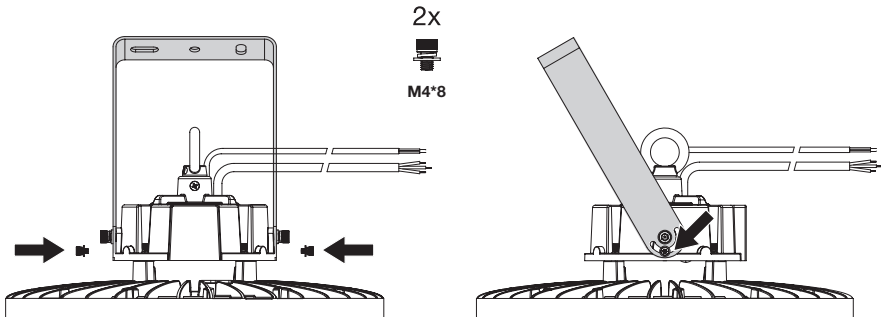


2x 2x 2x 2x  
     
M6\*10 M6 M6 M4\*8

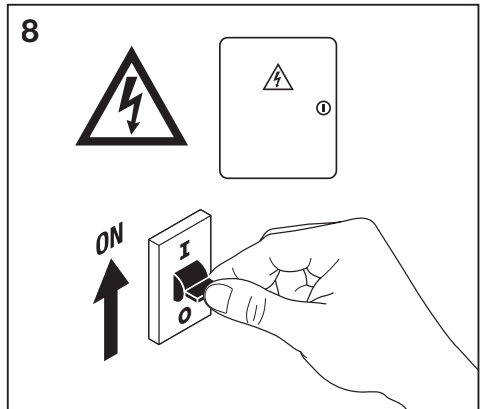
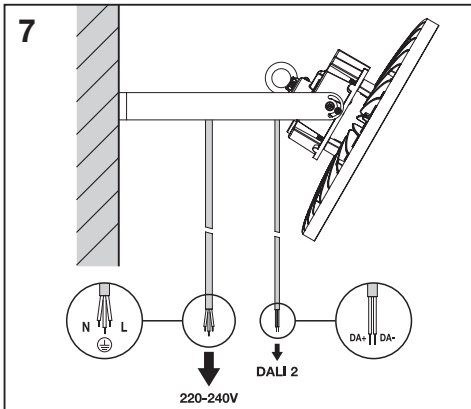
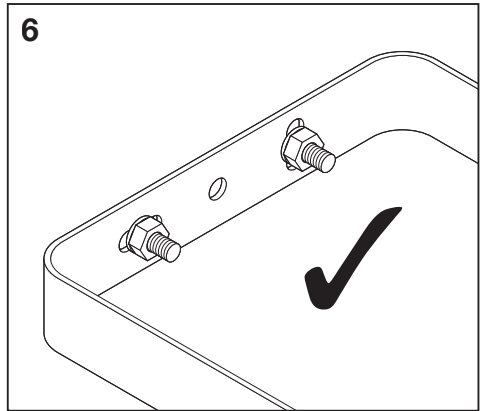
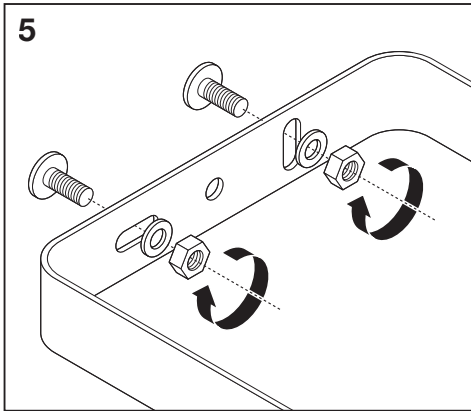
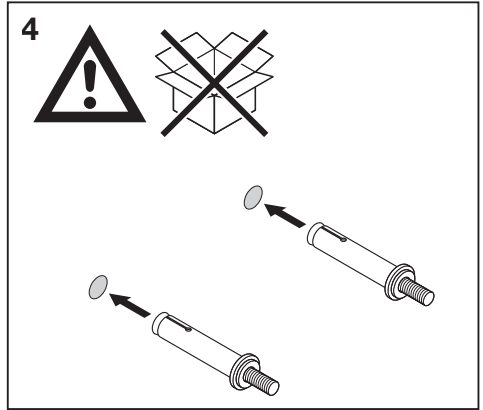
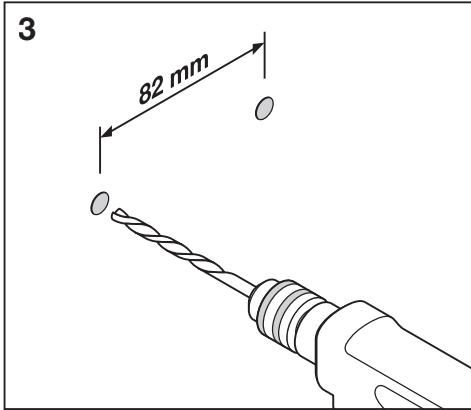
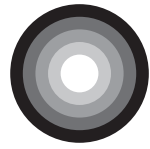
**1**



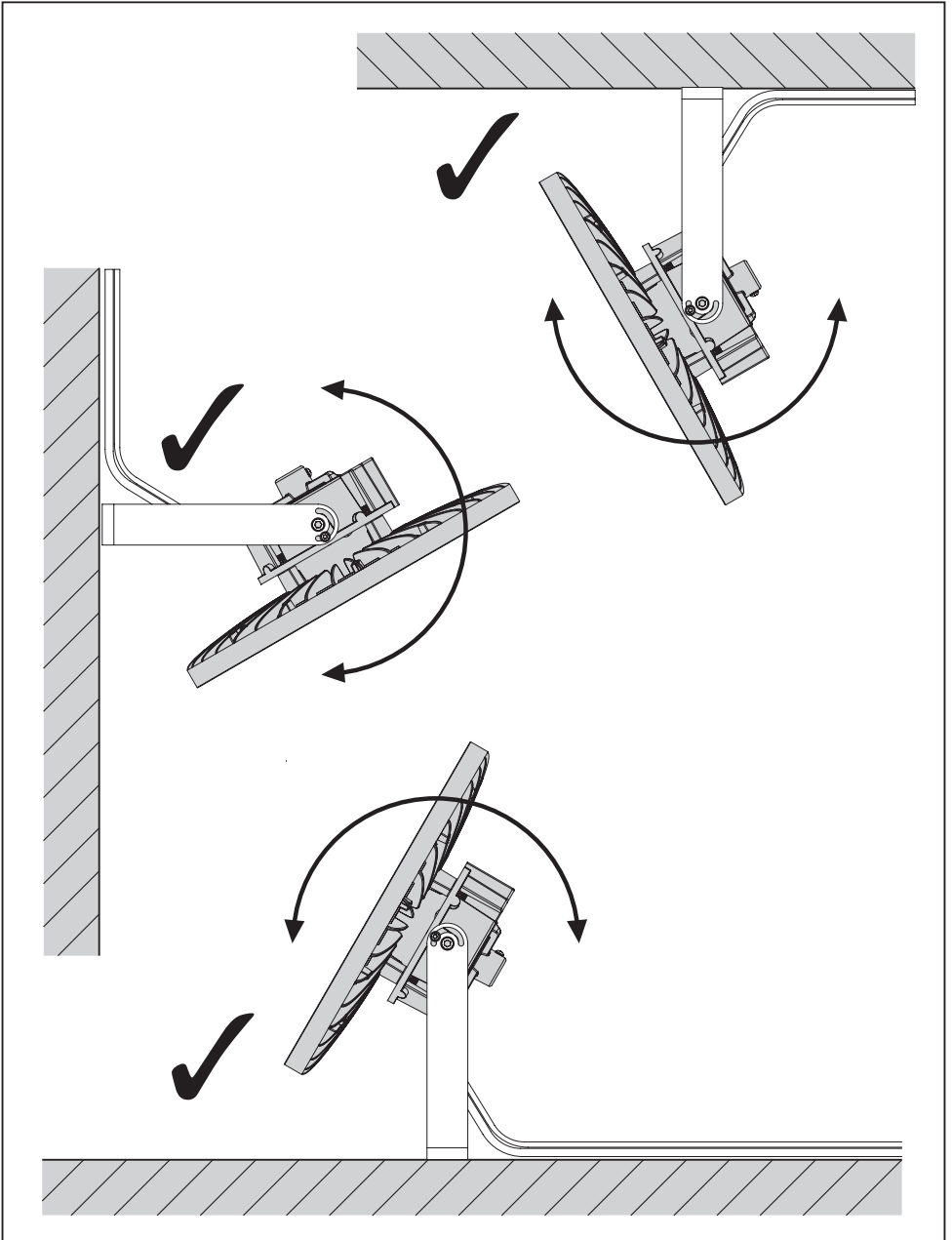
**2**



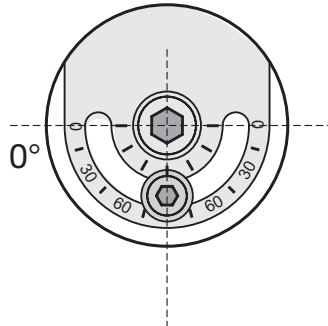
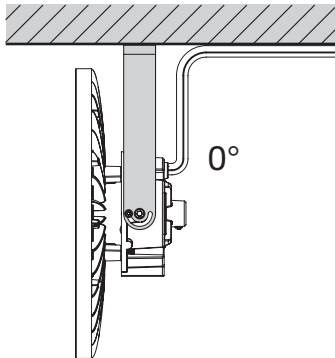
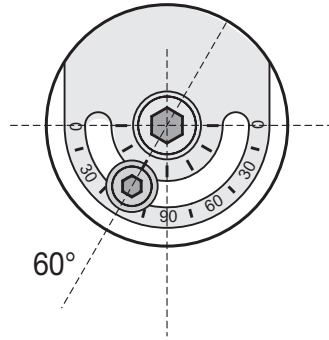
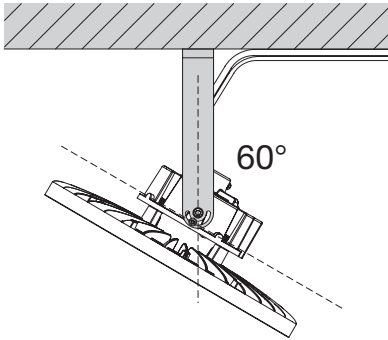
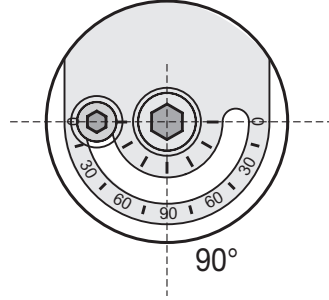
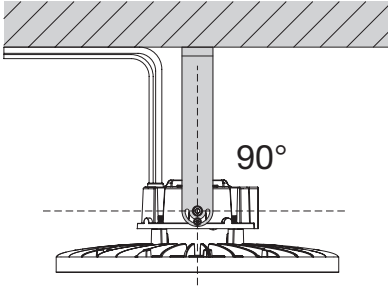
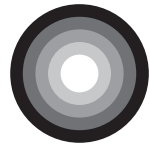




# HIGHBAY DALI

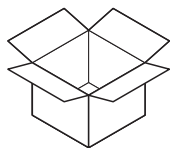


# HIGHBAY DALI



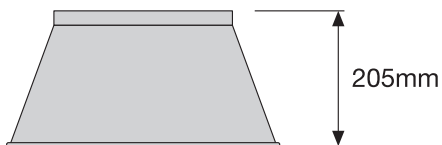
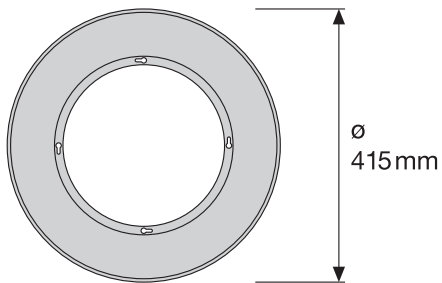
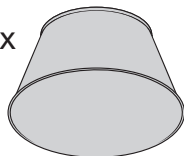


## HB ALU REFLECTOR 415 EAN 4058075844568

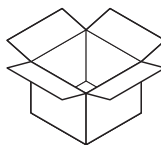



4x   
M4\*6

1x

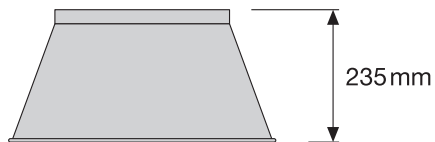
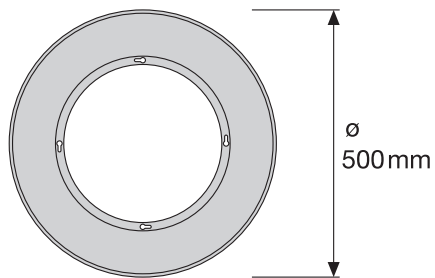
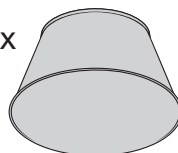


## HB ALU REFLECTOR 500 EAN 4058075844582



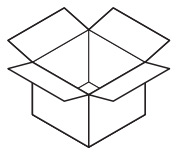
4x   
M4\*6


1x



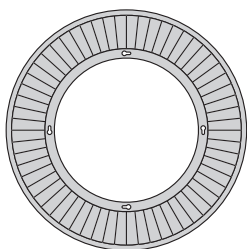
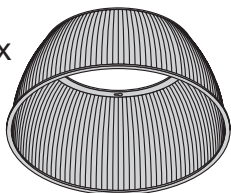



**HB PC REFRACTOR 415**  
**EAN 4058075844605**

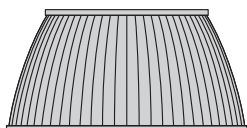


4x   
**M4\*10**

1x

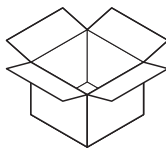


  $\varnothing$  413mm



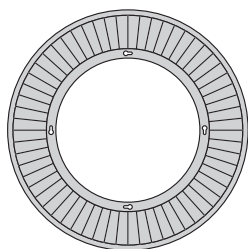
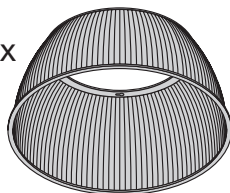
 205mm


**HB PC REFRACTOR 500**  
**EAN 4058075844629**

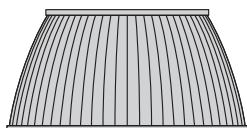


4x   
**M4\*10**

1x



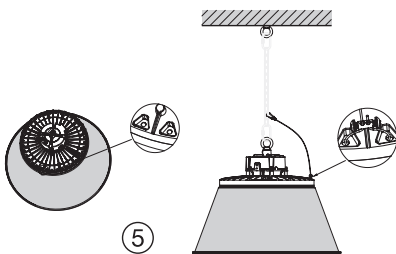
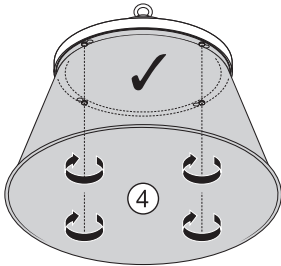
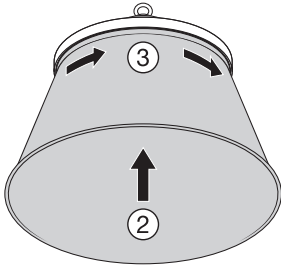
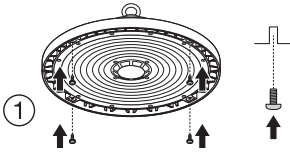
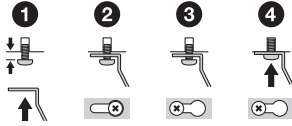
  $\varnothing$  480mm



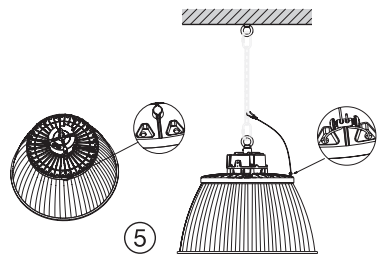
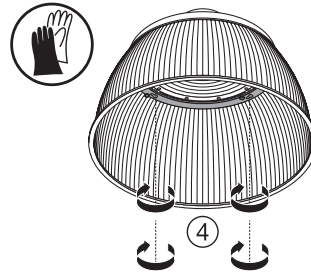
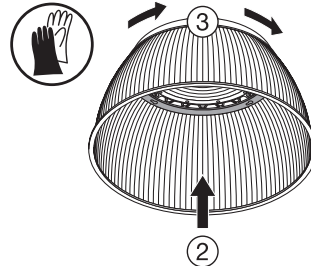
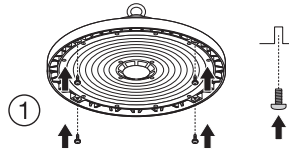
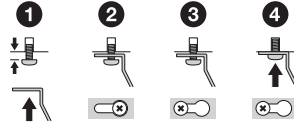
 250mm



## HB ALU REFLECTOR 75W-200W

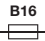
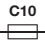



## HB PC REFRACTOR 75W-200W



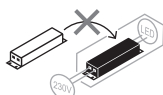
# HIGHBAY DALI



n				Inrush current(A)	Inrush charge time Th50(us)	Leakage current (mA) at 240VAC 60Hz (Max Vin and Frequency)
HB DA 75W 840 70DEG IP66	15	12	19	20.6	244	0.235
HB DA 75W 840 110DEG IP66						
HB DA 75W 865 70DEG IP66						
HB DA 75W 865 110DEG IP66						
HB DA 150W 840 70DEG IP66	13	10	16	20.8	440	0.320
HB DA 150W 840 110DEG IP66						
HB DA 150W 865 70DEG IP66						
HB DA 150W 865 110DEG IP66						
HB DA 200W 840 70DEG IP66	9	8	12	19.7	370	0.300
HB DA 200W 840 110DEG IP66						
HB DA 200W 865 70DEG IP66						
HB DA 200W 865 110DEG IP66						



**Raccolta Carta**  
PAP  
Verifica le disposizioni  
del tuo comune.



LEDVANCE GmbH  
Steinerne Furt 62  
86167 Augsburg, Germany  
[www.ledvance.com](http://www.ledvance.com)

C10449059  
G11193150  
05.08.24

© LEDVANCE Ltd, Sterling House,  
810 Mandarin Court, Warrington,  
Cheshire, WA1 1GG, United Kingdom