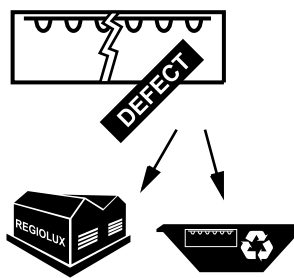
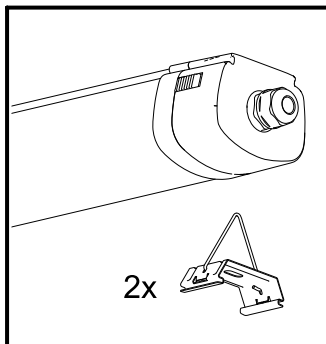


Diese Leuchte enthält ein Leuchtmittel der Energieeffizienzklasse C (/600 830/865 = D)

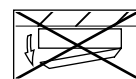
This lamp contains a lamp of the Energy efficiency class C (/600 830/865 = D)



IK 08
IP65



Achtung:
Leuchte nicht öffnen!
Garantieverlust!



Attention:
Don't open the luminaire!
Loss of Guarantee!



Attention:
N'est pas ouvrir le luminaire!
Perte de garantie!

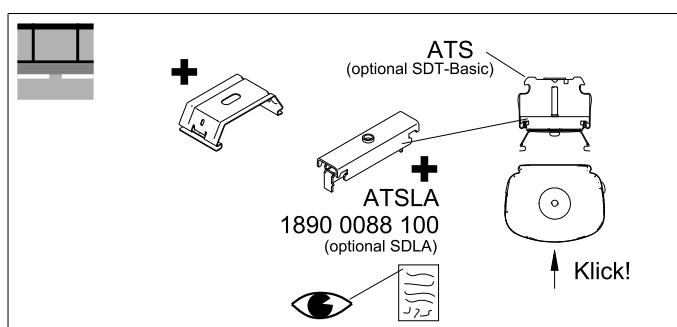
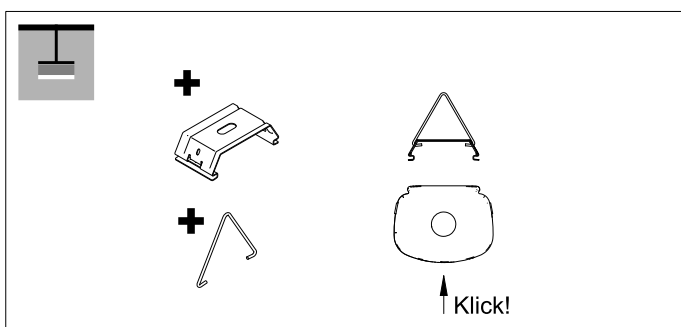
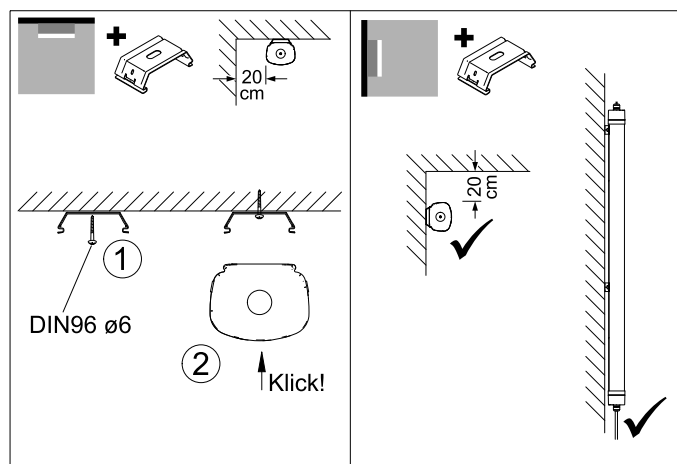
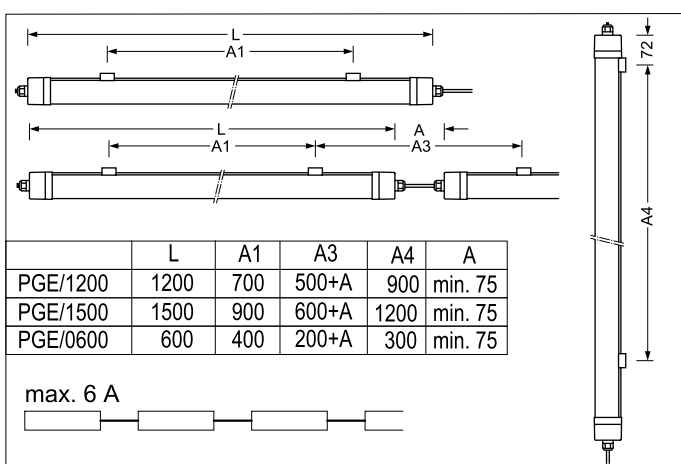
Atención:
Non abrir la luminaria!
Pérdida de garantía!



| PGE/1500 | PGE/1200 | PGE/0600 |
|---|---|---|
| WW / CW 3000K / 6500K 830 / 865 | WW / CW 3000K / 6500K 830 / 865 | WW / CW 3000K / 6500K 830 / 865 |
| Ta max. 200mA ~ 5300 / 5500lm 35 / 35W 45°C 250mA ~ 6400 / 6700lm 44 / 43W 45°C 300mA ~ 7500 / 8000lm 52 / 52W 40°C* 350mA ~ 8700 / 9200lm 60 / 60W 35°C | Ta max. 200mA ~ 2900 / 3100lm 20 / 20W 45°C 250mA ~ 3600 / 3800lm 26 / 25W 45°C 300mA ~ 4200 / 4500lm 32 / 30W 45°C* 350mA ~ 4900 / 5200lm 37 / 35W 45°C | Ta max. 200mA ~ 1400 / 1500lm 11 / 11W 40°C 250mA ~ 1700 / 1800lm 13 / 13W 40°C 300mA ~ 2000 / 2100lm 16 / 16W 40°C* 350mA ~ 2300 / 2400lm 18 / 18W 40°C |
| 840 | 840 | 840 |
| Ta max. 200mA ~ 5600lm 35W 45°C 250mA ~ 6800lm 44W 45°C 300mA ~ 8000lm 53W 45°C* 350mA ~ 9300lm 61W 40°C | Ta max. 200mA ~ 3100lm 20W 45°C 250mA ~ 3800lm 25W 45°C 300mA ~ 4500lm 30W 45°C* 350mA ~ 5200lm 35W 45°C | Tamax. 200mA ~ 1500lm 11W 40°C 250mA ~ 1800lm 13W 40°C 300mA ~ 2100lm 16W 40°C* 350mA ~ 2400lm 18W 40°C |

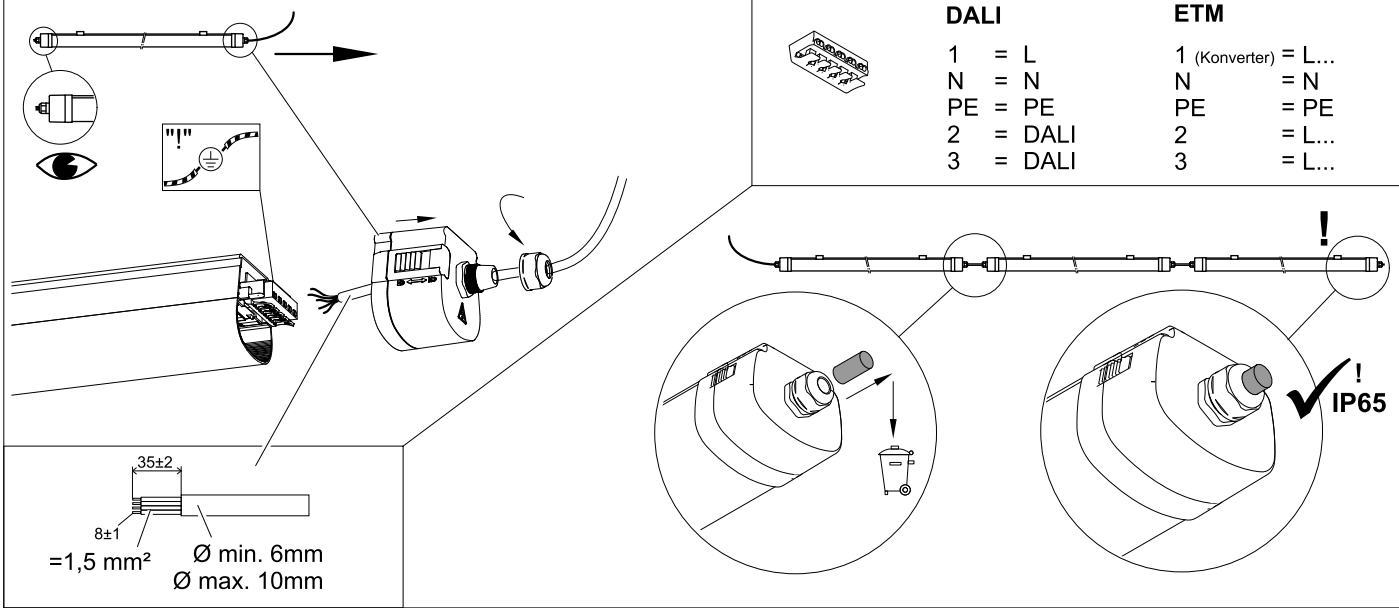
* Werkseinstellung - Factory setting

INSTRUCTION



INSTRUCTION

Option A * Werkseinstellung - Factory setting ✓

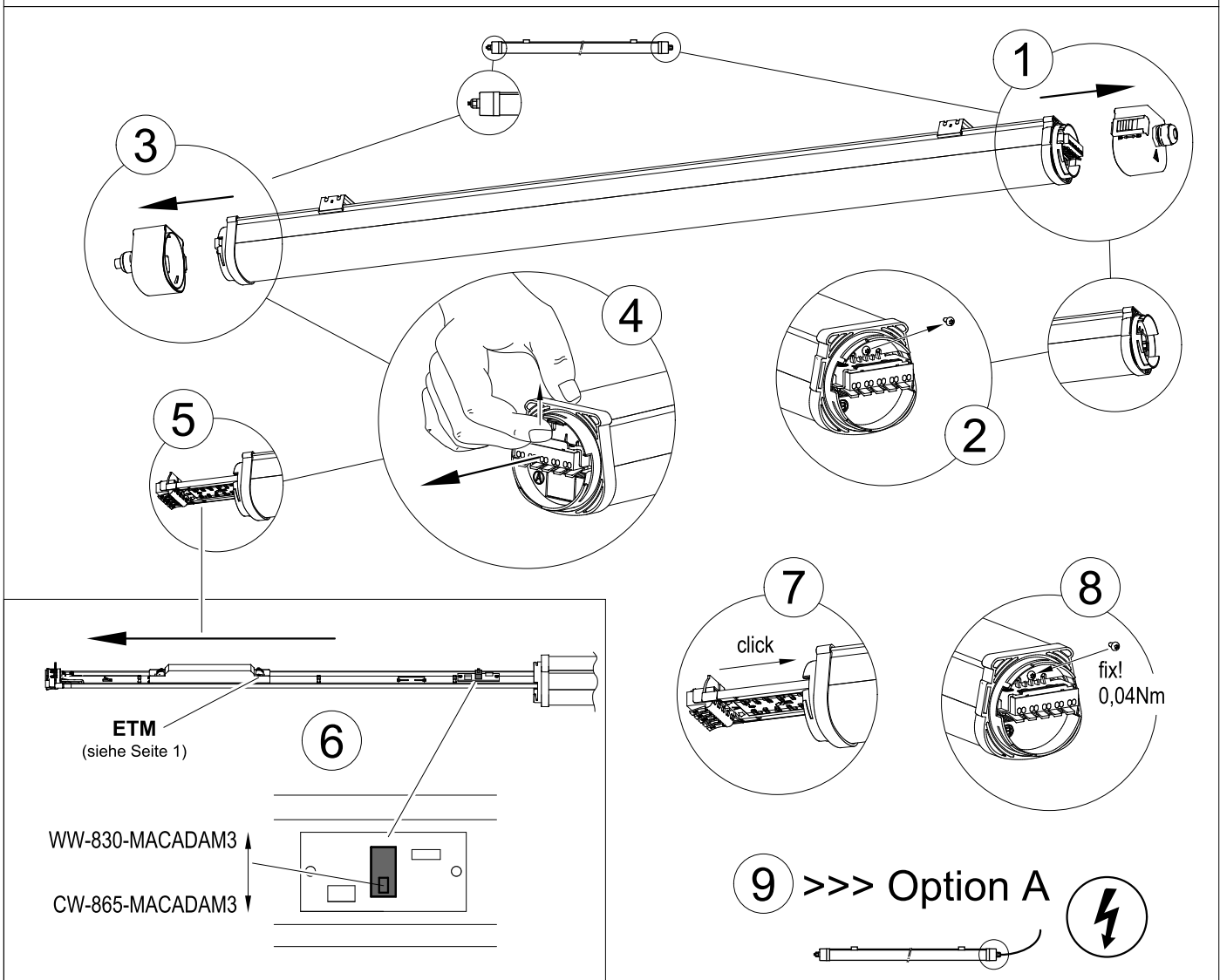



| DALI | ETM |
|----------|----------------------|
| 1 = L | 1 (Konverter) = L... |
| N = N | N = N |
| PE = PE | PE = PE |
| 2 = DALI | 2 = L... |
| 3 = DALI | 3 = L... |

! IP65

35±2
8±1
=1,5 mm² Ø min. 6mm
 Ø max. 10mm

Option B * Werkseinstellung - Factory setting ✗



- 1: Connect cable to device.
- 2: Connect cable to device.
- 3: Connect cable to device.
- 4: Hand shown connecting cable to device.
- 5: Connect cable to device.
- 6: Connect cable to device.
- 7: Click.
- 8: fix! 0,04Nm
- 9: >>> Option A 

ETM (siehe Seite 1)

WW-830-MACADAM3

CW-865-MACADAM3