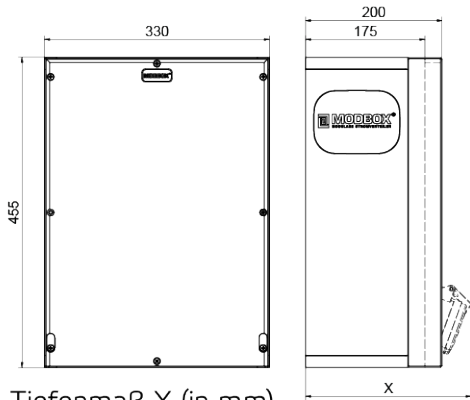


rubber - wall mounted combination units



Product description	
BALS-Prd.-Nr	5403444
EAN	4024941401289
Product category	MODBOX
Specification/Norm	DIN EN 61439-2
Protection degree	IP54
Colour of appliance	Housing top similar black RAL 9017, Housing bottom similar black RAL 9017
Height	455mm
Width	330mm
Depth	200mm

Product description	
RDF factor	0.67
Rated current InA	63



Tiefenmaß X (in mm)

Bezeichnung	IP44	IP67
Schutzk. Steckdose	179	242
CEE 16A 3p	227	233
CEE 16A 4p	233	236
CEE 16A 5p	237	237

Bezeichnung	IP44	IP67
CEE 32A 3p / 4p	241	245
CEE 32A 5p	243	247
CEE 63A 3p / 4p / 5p	259	259