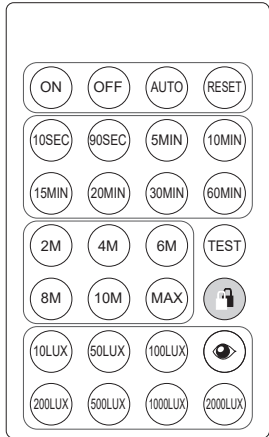


6

Setting By Remote Control



59LJ202

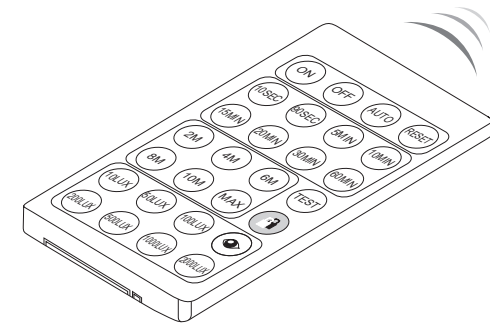
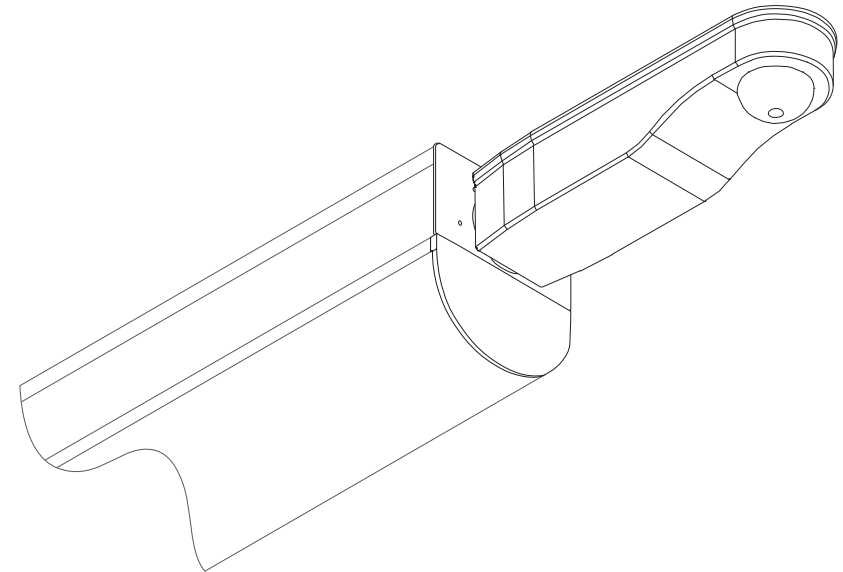
<p>ON OFF</p>	<p>ON=Manual on, after 6 hours turns to "AUTO"mode OFF=manual off, after 6 hours turns to "AUTO"mode</p>	<p>AUTO</p> <p>The sensor starts to work automatically, and all parameters back the latest setting before TEST mode, on/off mode, and reset mode.</p>
<p>10SEC 10MIN 30MIN 60MIN</p>	<p>Time Setting</p>	<p>RESET</p> <p>Reset -Resetting of all functions</p>
<p>2M 10M MAX</p>	<p>Range Setting</p>	<p>TEST</p> <p>In test mode, hold time is only 2s, and stand-by time and daylight sensor are disable. Quit Test Mode, Press Auto button</p>
<p>100LUX 200LUX 500LUX 10LUX</p>	<p>Preselected light values -10 to 2000 Lux; Recommendation: rooms with daylight 500 Lux, without daylight 2000 Lux</p>	<p>Lock icon</p> <p>Permanent tamper protection (Permanent inhibition of the sensor, only ON and OFF function on the remote control possible: on = permanent on off = permanent off) Unlock permanent tamper protection</p>
<p>Eye icon</p>	<p>The latest surrounding lux value learned, and is set as the daylight threshold.</p>	

Luminare code: EPK31

Sensor Kit

59LJ201

59LJ202

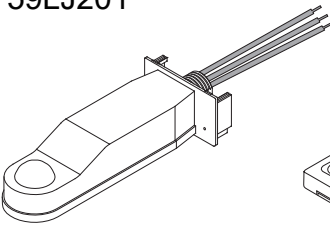


5MA69-262453_ad
18.03.2026/REC(CME)

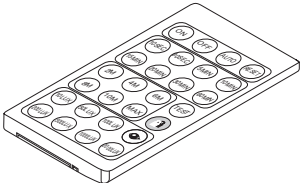
Siteco GmbH
Georg-Simon-Ohm-Straße 50
83301 Traunreut, Germany
mail: technicalsupport@siteco.de
Phone: +49 8669 / 33-844
www.siteco.com

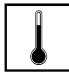
siteco

59LJ201



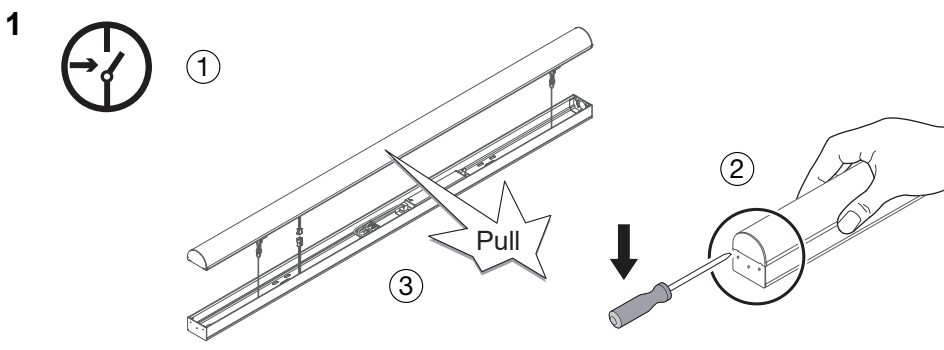
59LJ202



 = -20...+40°C

Order number	kg
59LJ201	0.12
59LJ202	0.03

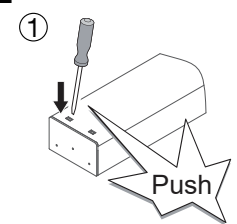
1



Pull

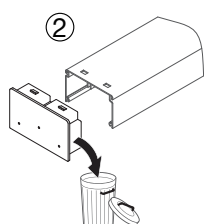
2

①

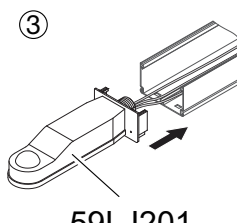


Push

②

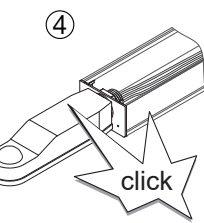


③



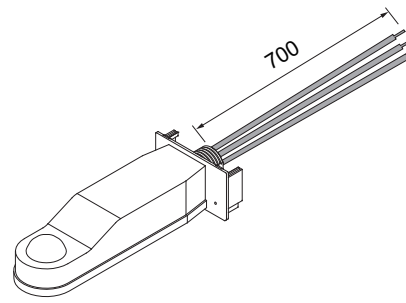
59LJ201

④



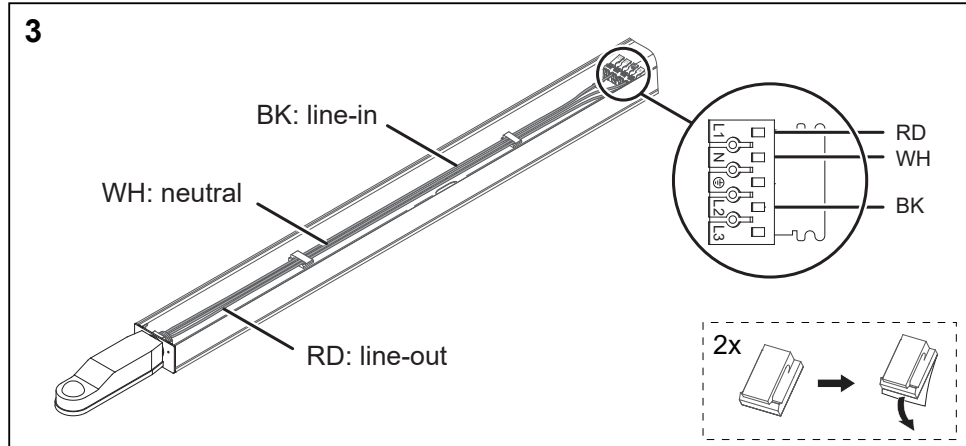
click

[mm]



700

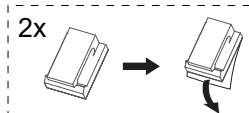
3



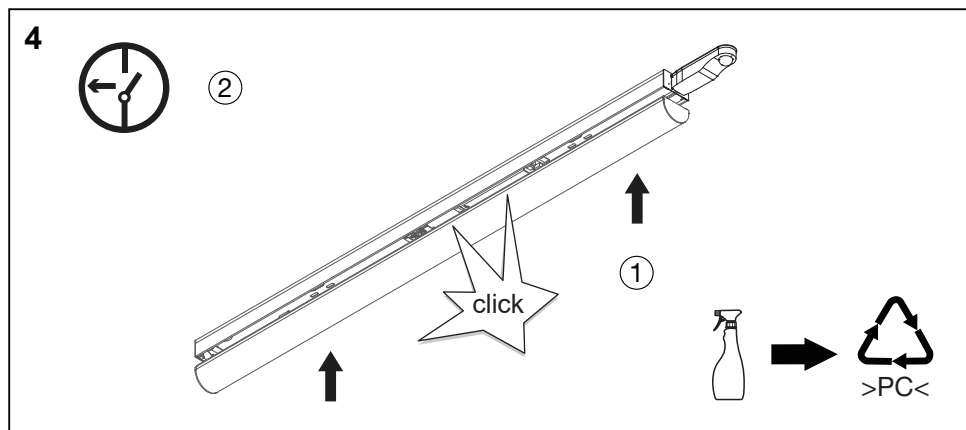
BK: line-in
WH: neutral
RD: line-out

RD WH BK

2x



4



click

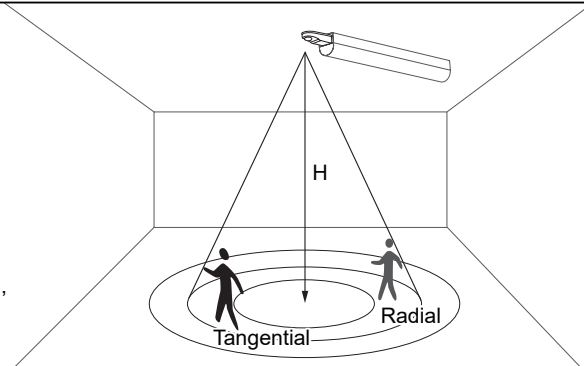
①

>PC<

5

H: 2.8m
Radial: ø 5m
Tangential: ø 9m

All ranges at a sensitivity 100%,
surrounding temperature 25°C



H
Tangential
Radial