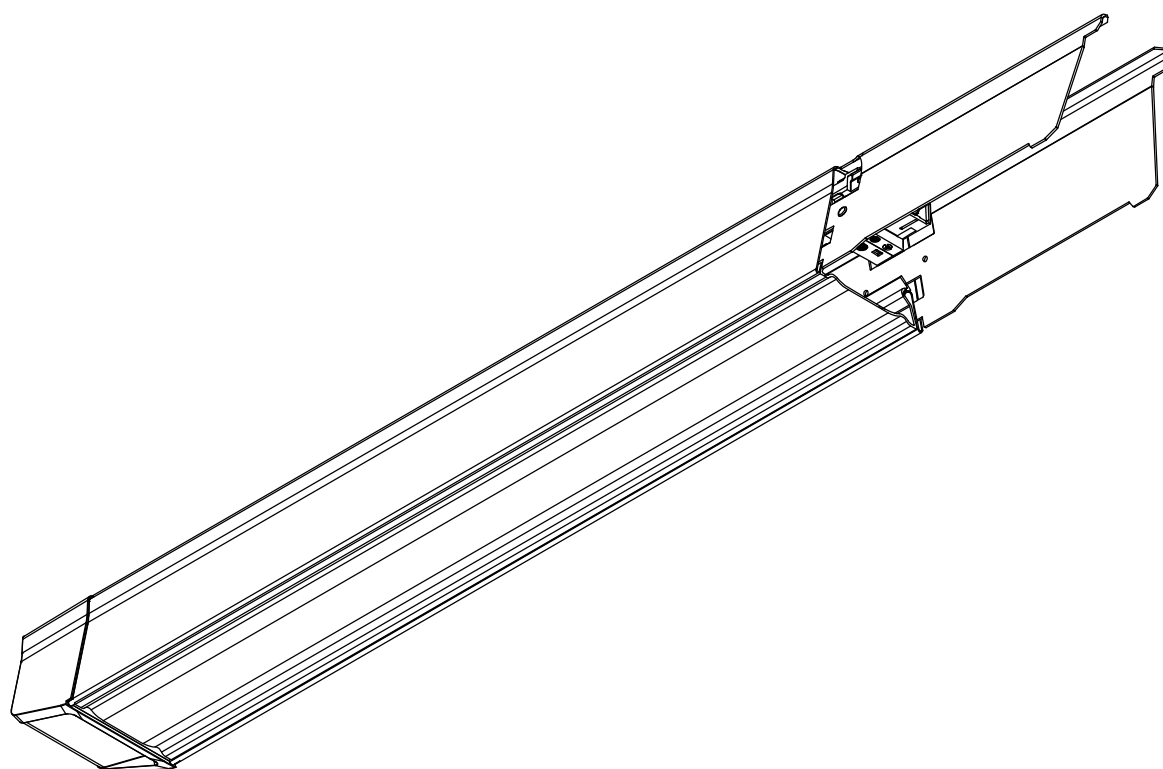


Licross®

Einspeiser IP40

Feed in IP40

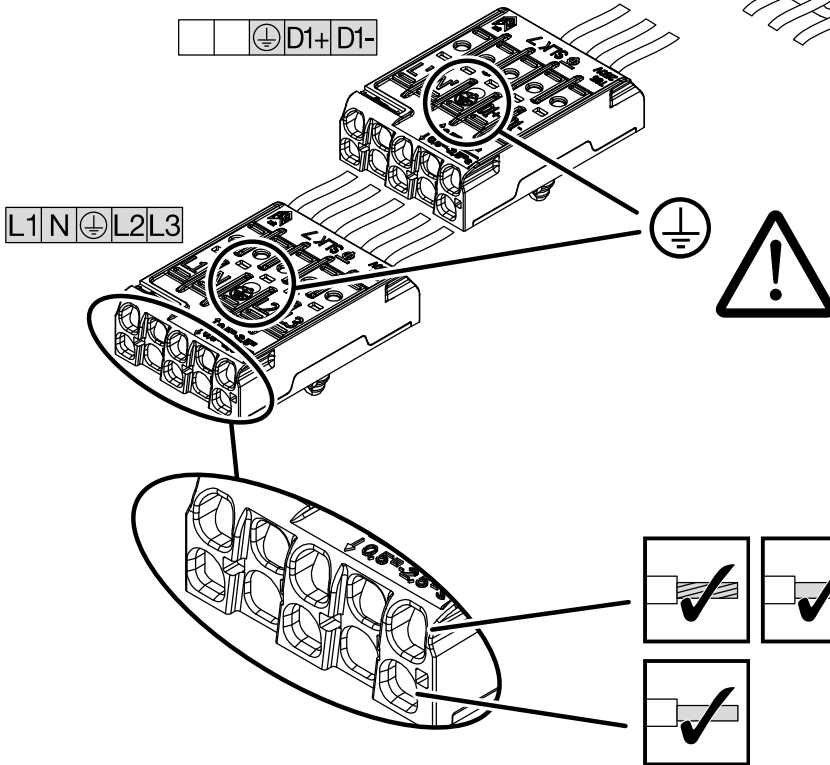
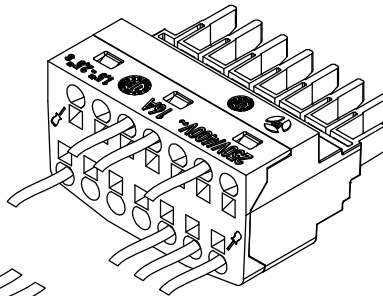
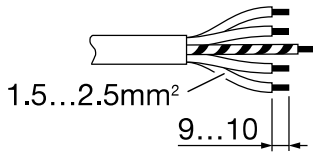
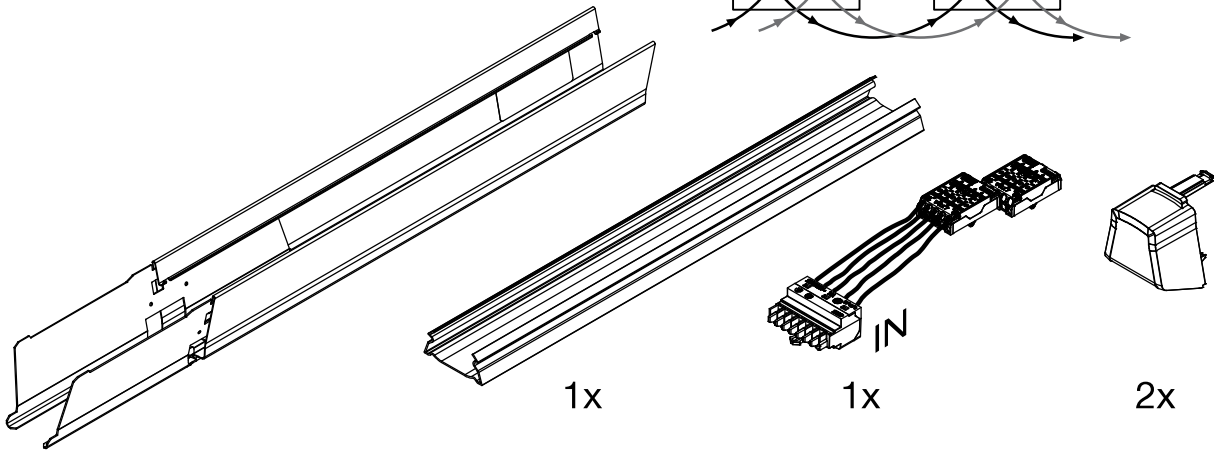
59TL . FN .



**siteco**

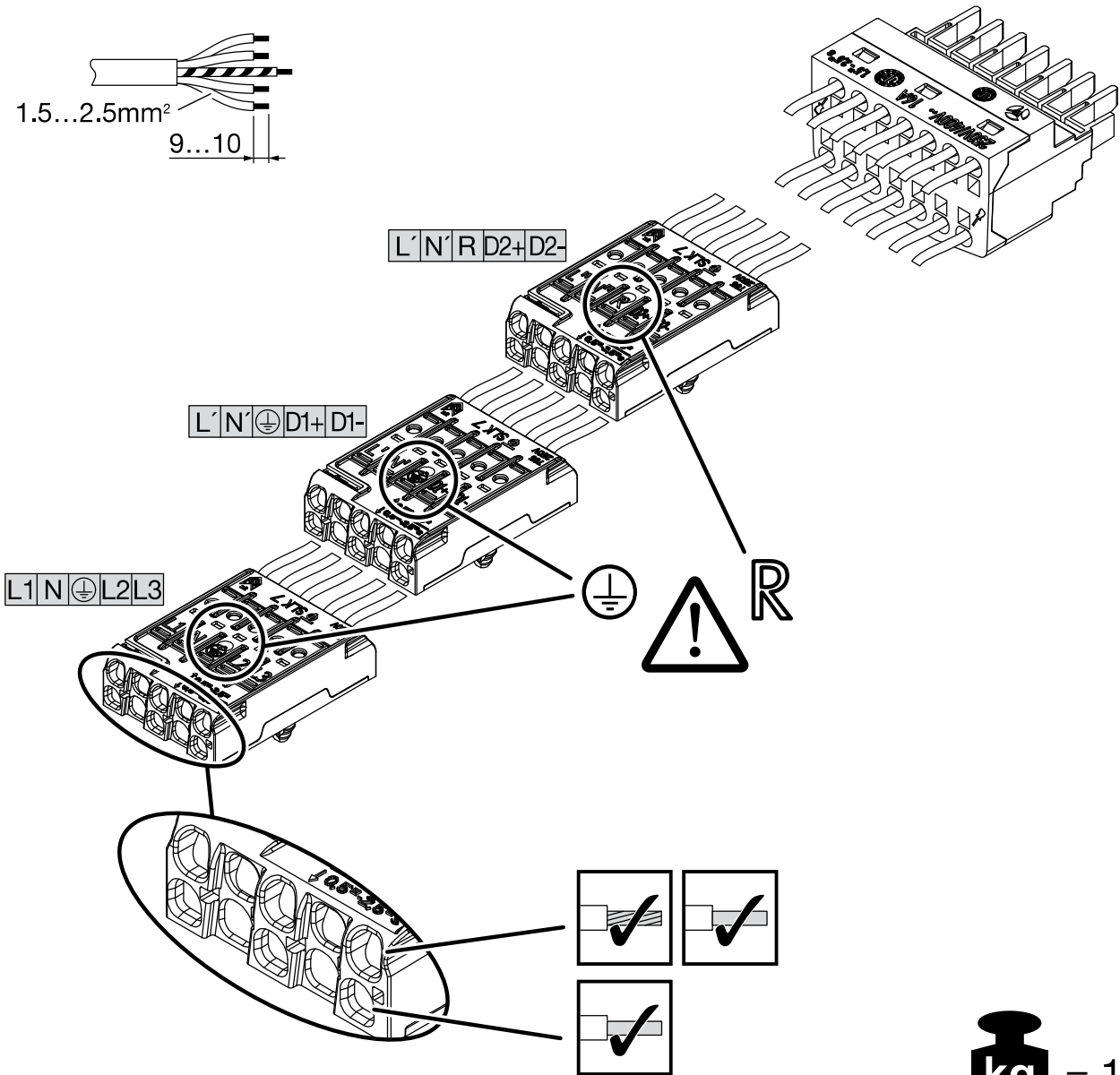
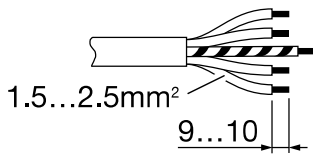
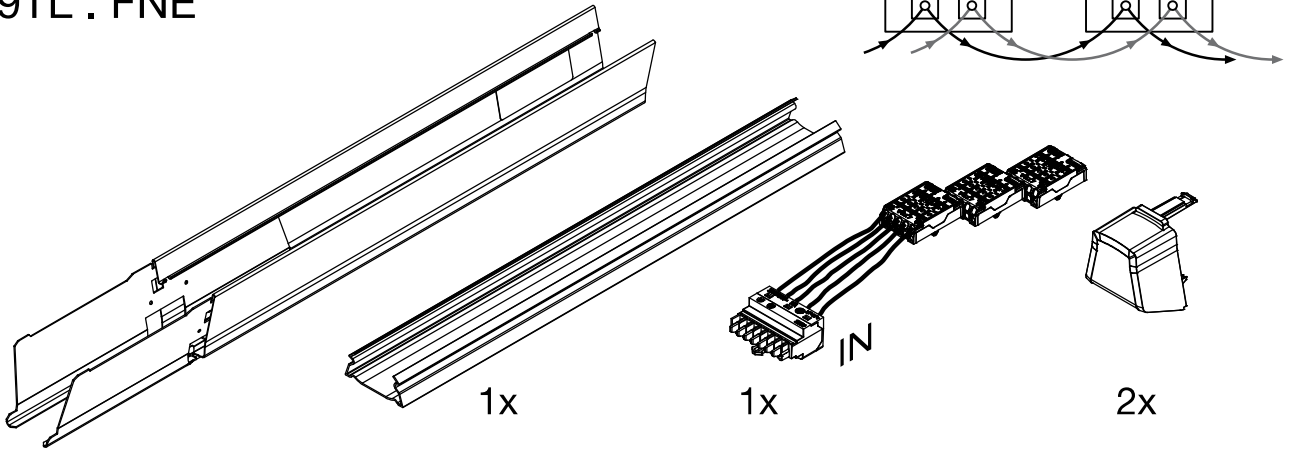
59TL . FN7

[ mm ]

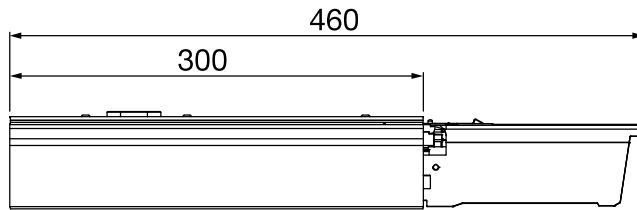


**kg** = 0.9

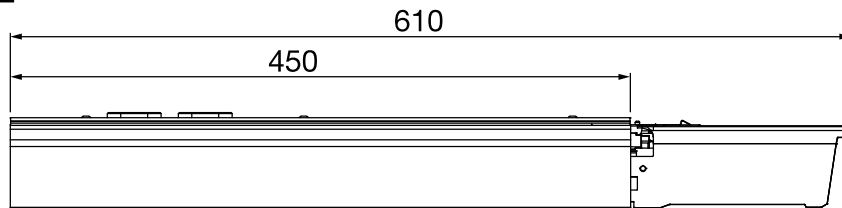
59TL . FNE



59TL . FN7

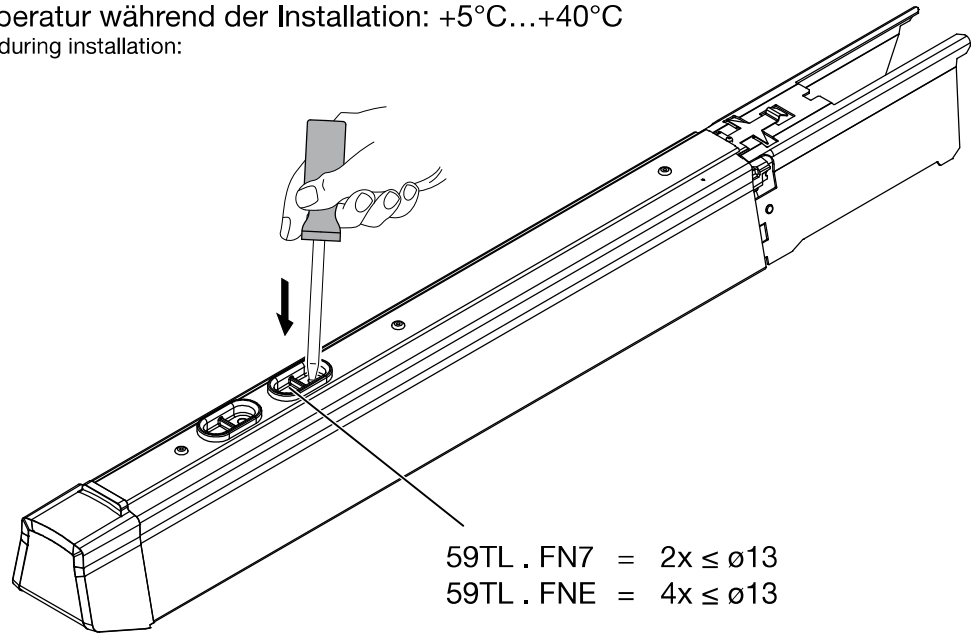


59TL . FNE



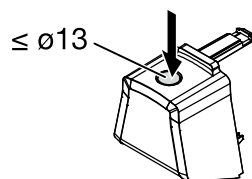
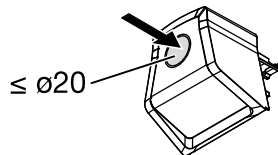
- 1** Umgebungstemperatur während der Installation: +5°C...+40°C  
Ambient temperature during installation:

**IP40**



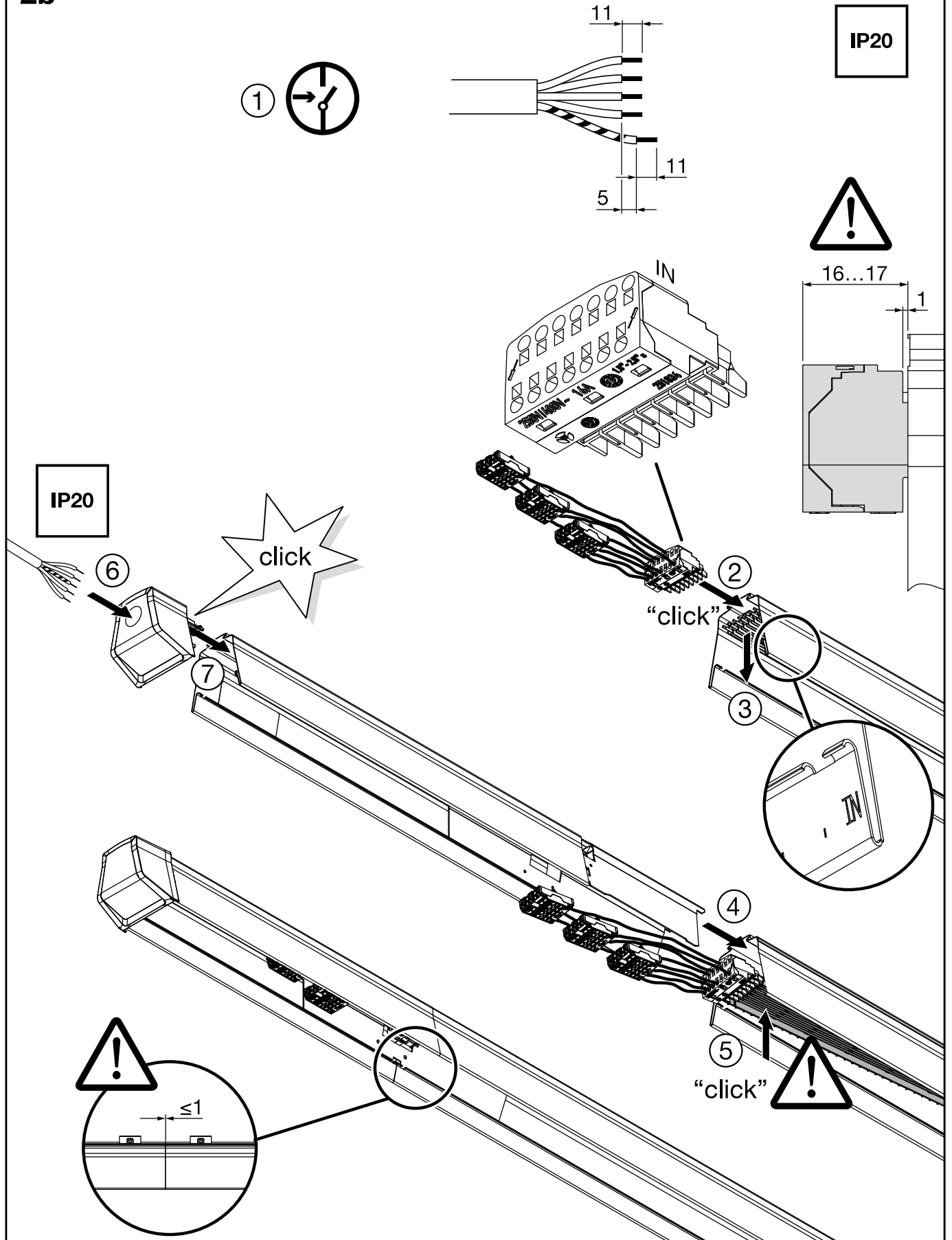
59TL . FN7 = 2x ≤ ø13  
59TL . FNE = 4x ≤ ø13

**IP20**

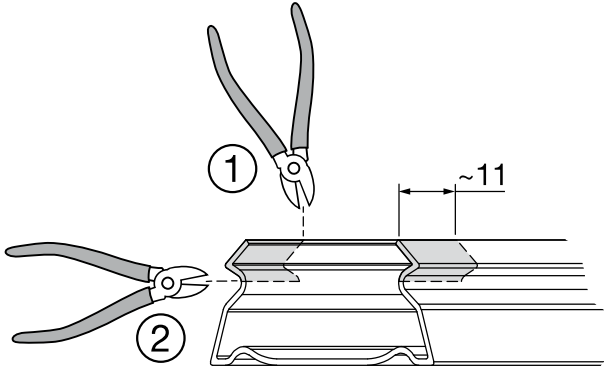
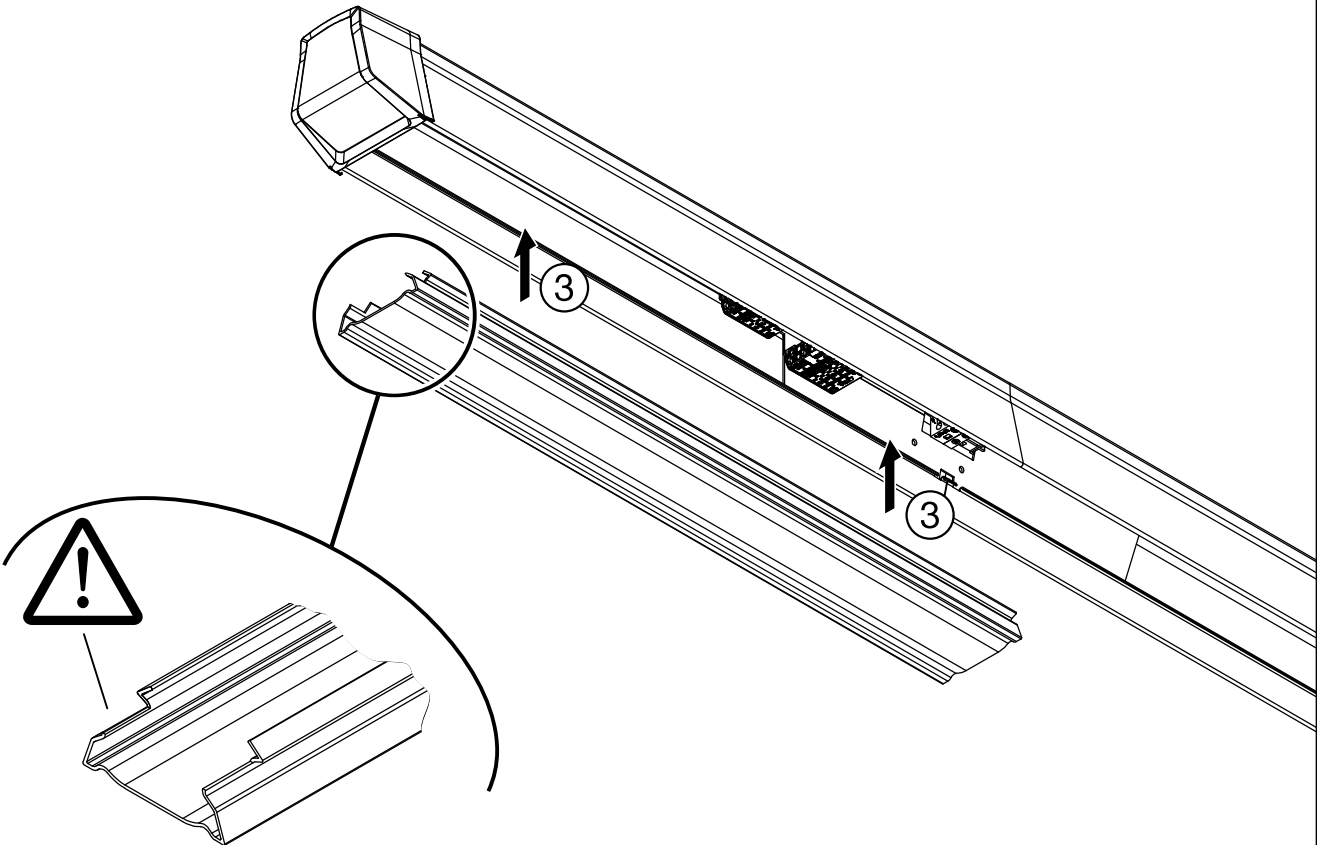
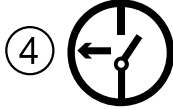


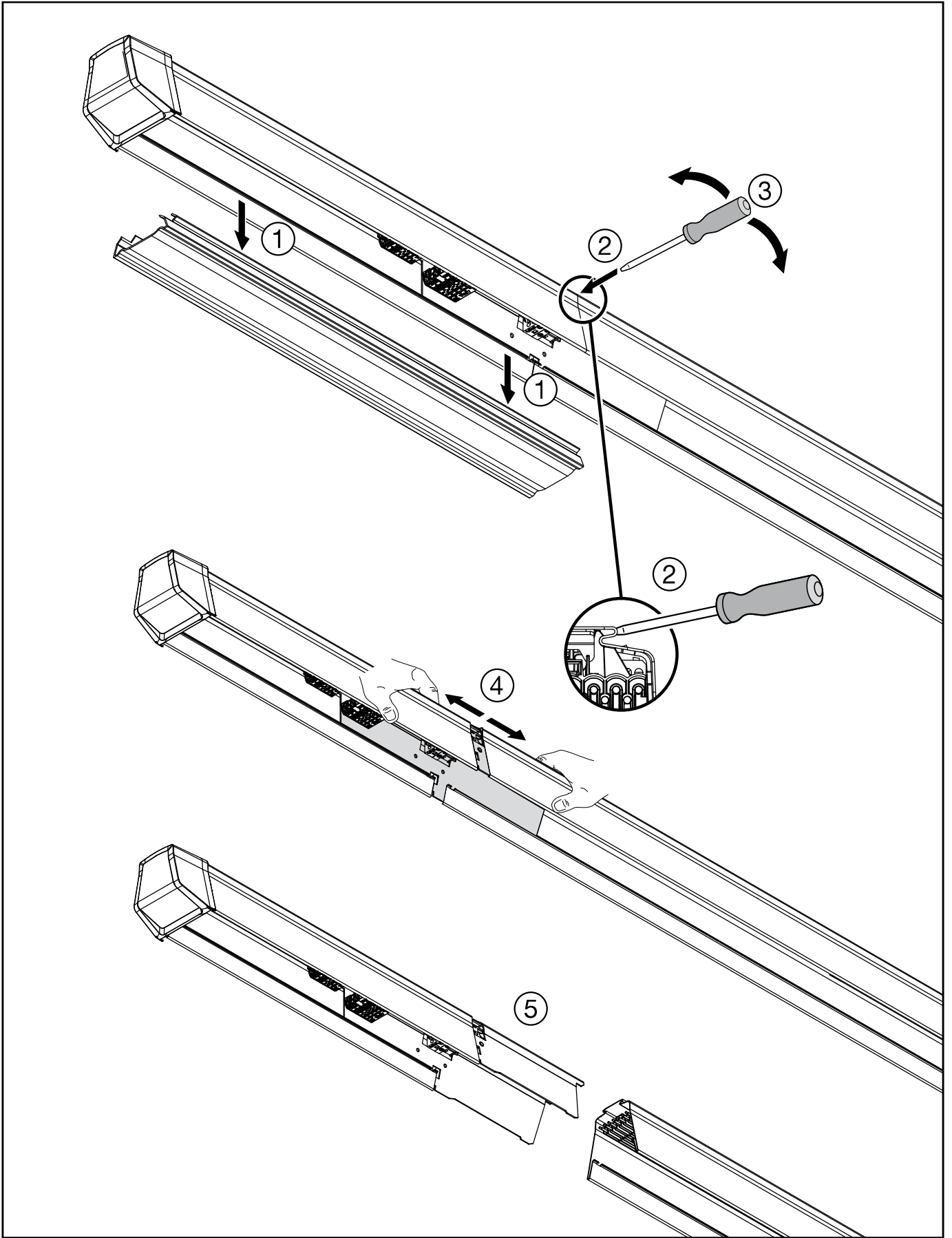


2b



3





5MA14-254399\_aj  
25.04.2024 / SCH

Siteco GmbH  
Georg-Simon-Ohm-Straße 50  
83301 Traunreut, Germany  
mail: [technicalsupport@siteco.de](mailto:technicalsupport@siteco.de)  
Phone: +49 8669 / 33-844  
[www.siteco.com](http://www.siteco.com)