

Silhouette 21

ON/OFF

51LN12MKM40A3G

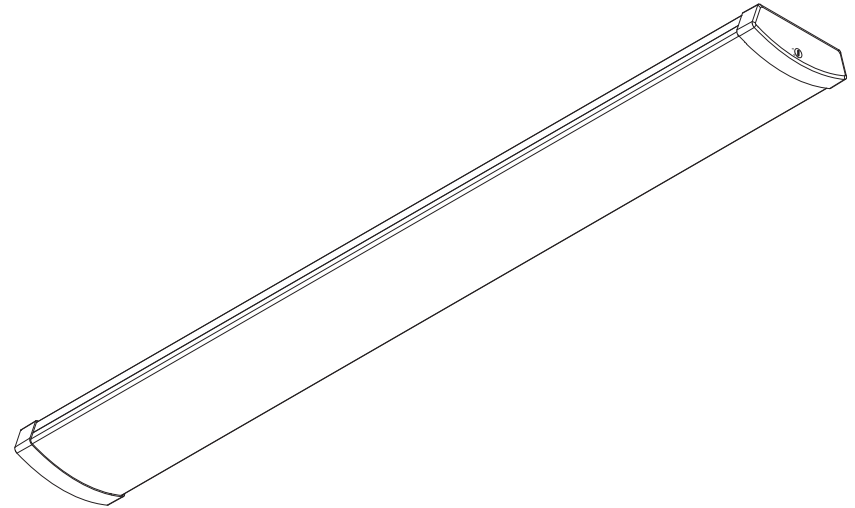
51LN12MNM70A3G

D

Ⓧ Dieses Produkt enthält eine Lichtquelle der Energieeffizienzklasse D.
Ⓧ This product contains a light source of energy efficiency class D.



Ⓧ Die in dieser Leuchte enthaltene Lichtquelle darf nur durch den Hersteller, seinen Kundendienst oder eine ähnlich qualifizierte Person ausgewechselt werden. Ⓧ The light source contained in this luminaire shall only be replaced by the manufacturer or his service agent or a similar qualified person. Ⓧ La source de lumière intégrée dans ce luminaire doit être remplacée uniquement par le fabricant, un agent de maintenance ou une autre personne possédant les mêmes qualifications. Ⓧ La sorgente luminosa contenuta in questo apparecchio di illuminazione potrà essere sostituita esclusivamente dal produttore o da un tecnico dell'assistenza autorizzato, oppure da una persona qualificata in tal senso. Ⓧ La fuente de luz dentro de la luminaria sólo debe de sustituirse por el fabricante o personal cualificado para ello. Ⓧ A fonte de luz contida nesta luminária só deve ser substituída pelo fabricante ou pelo seu agente de serviço ou por idêntica pessoa qualificada. Ⓧ Η πηγή φωτός που περιλαμβάνεται σε αυτήν τη λυχνία μπορεί να αντικατασταθεί μόνο από τον κατασκευαστή, τον αντιπρόσωπο ή από κάποιον ειδικευμένο τεχνικό. Ⓧ De lichtbron in dit armatuur mag alleen worden vervangen door de fabrikant of zijn servicevertegenwoordiger of een soortgelijk gekwalificeerd persoon. Ⓧ Ljuskällan i denna armatur får endast bytas av tillverkaren eller dennes serviceverkstad eller en behörig person. Ⓧ Tämån valaisimen sisältämän valonlähteen saa vaihtaa ainoastaan valmistaja tai tämän huoltoedustaja tai vastaava ammattihenkilökunta. Ⓧ Lyskilden i denne lampen skal bare skiftes ut av produsenten, en servicerepresentant for produsenten eller en lignende kvalifisert person. Ⓧ Lyskilden i dette armature må kun udskiftes af fabrikanten, fabrikantens serviceagent eller personale med tilsvarende kvalifikation. Ⓧ Světelný zdroj v tomto svítidle může být vyměněn pouze výrobcem, v servisu nebo kvalifikovanou osobou. Ⓧ Источник света в данном светильнике должен быть заменен производителем, его сервисной службой или другим квалифицированным персоналом. Ⓧ A fényforrást csak a gyártó, ill. a gyártó által megbízott szerviz szakembere cserélheti. Ⓧ Źródło światła zastosowane w tej oprawie powinno być wymieniane wyłącznie przez producenta lub wykwalifikowaną osobę. Ⓧ Svetelný zdroj v tomto svietidle môže vymeniť len výrobca alebo kvalifikovaný servis na to určený. Ⓧ Svetlobni vir, vsebovan v tej svetilki, lahko zamenja samo proizvajalec ali njegov zastopnik storitev ali usposobljena oseba. Ⓧ Bu armatürde bulunan ışık kaynağı sadece imalatçı veya onun servis acentesi veya benzer bir kalifiye kişi tarafından değiştirilir. Ⓧ Izvor svetlosti u ovoj svetiljci smije biti zamjenjen isključivo od strane proizvođača, njegovog servisa ili slične, kvalificirane osobe. Ⓧ Sursa de lumina se va schimba doar de personalul producatorului sau in service de catre personal calificat. Ⓧ Източника на светлина в това осветително тяло трябва да се подменя само от производителя, негов сервисен агент или квалифицирано лице. Ⓧ Ainult tootja või vastava kvalifikatsiooniga isik võib vahetada valgusallikat. Ⓧ Maitinimo šaltinis šiame šviestuve turi būti pakeistas gamintojo ar kvalifikuoto specialisto. Ⓧ Ši gaismekla gaismas avotu var aizstāts tikai ražotājs vai tā pakalpojumu sniedzēja, vai līdzīgi kvalificēta persona. Ⓧ Svetlosni izvor u ovoj svetiljci biće zamenjen isključivo od strane proizvođača ili njegovog ovlašćenog servisa ili druge kvalifikovane osobe. Ⓧ Джерело світла яке міститься в цьому світильнику може бути замінене лише виробником, уповноваженим сервісним агентом, або подібною за кваліфікацією особою. Ⓧ Шыгарданчың жарық көзін тек қана өндіруші немесе оның сервистік агенті алмастыру керек.

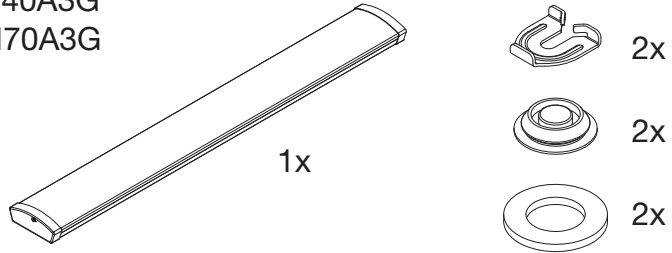


5MA69-267451_aa
13.04.2024 / REC(GME)

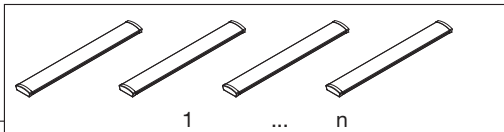
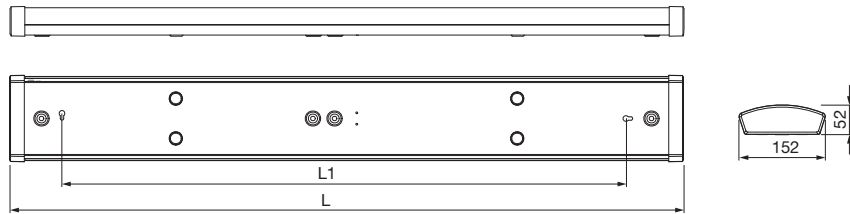
Siteco GmbH
Georg-Simon-Ohm-Straße 50
83301 Traunreut, Germany
mail: technicalsupport@siteco.de
Phone: +49 8669 / 33-844
www.siteco.com

siteco

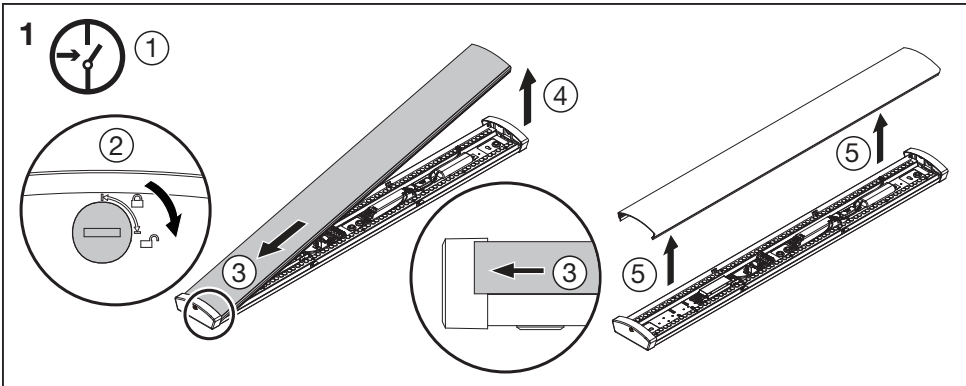
51LN12MKM40A3G
51LN12MNM70A3G



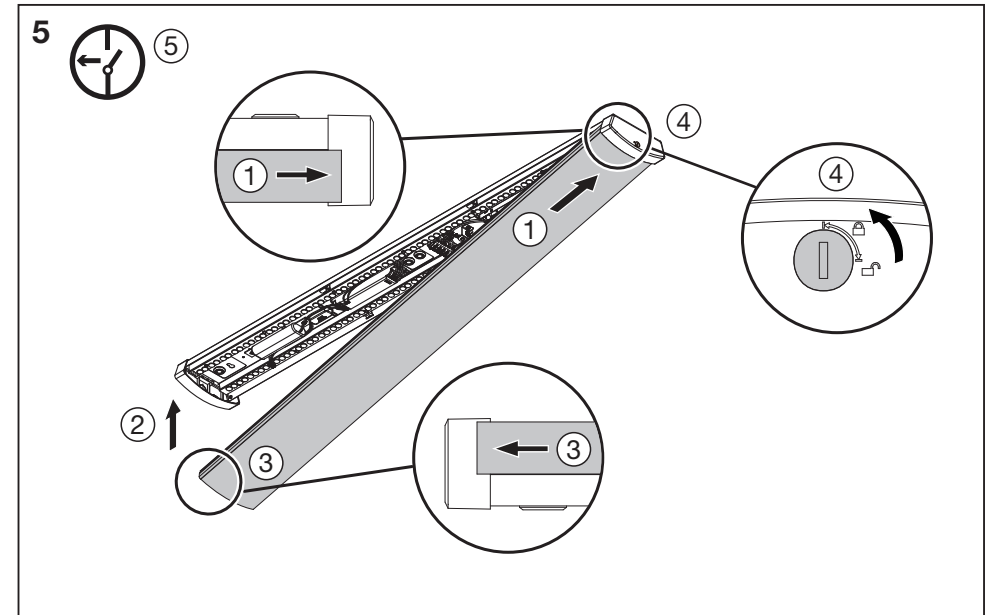
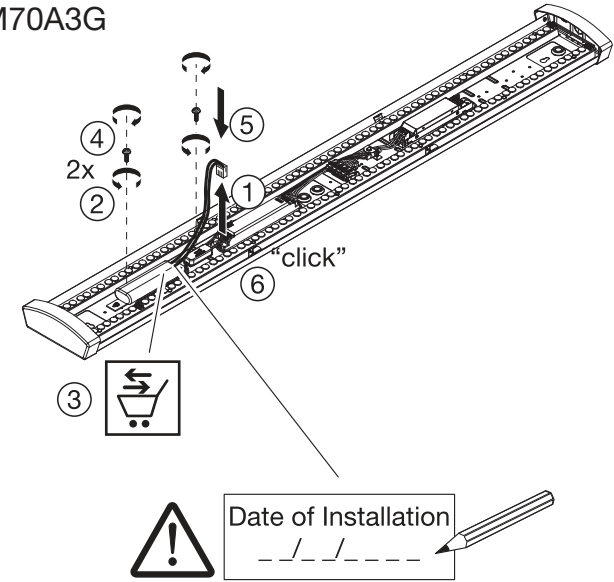
[mm]



	L	L1	kg	B10 [A]	B13 [A]	B16 [A]	C10 [A]	C13 [A]	C16 [A]
51LN12MKM40A3G	1185	1040	2.8	n ≤ 15	n ≤ 20	n ≤ 24	n ≤ 25	n ≤ 33	n ≤ 40
51LN12MNM70A3G	1485	1310	3.6	n ≤ 11	n ≤ 12	n ≤ 18	n ≤ 18	n ≤ 24	n ≤ 29



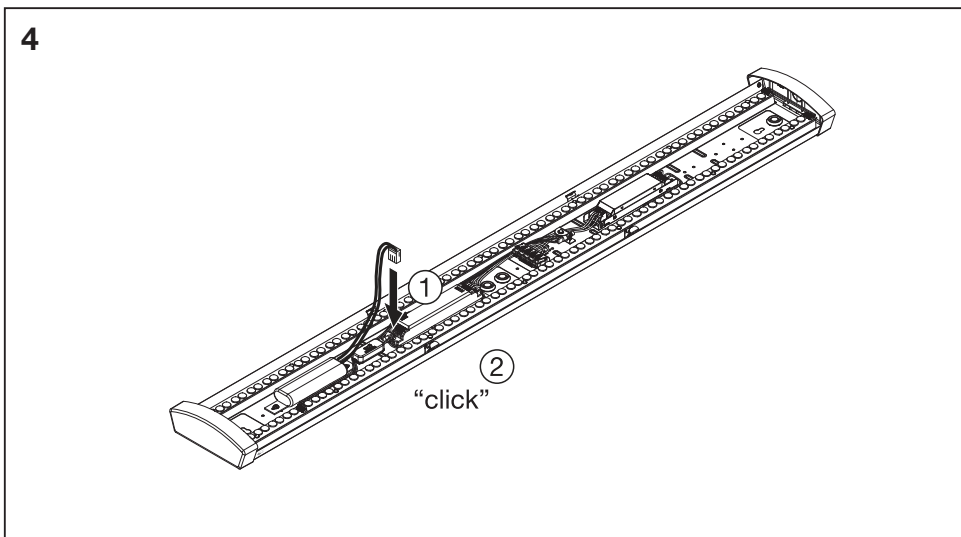
51LN12MKM40A3G
51LN12MNM70A3G



Erstinbetriebnahme / initial use

Der Akku in diesem Gerät ist möglicherweise nicht vollständig aufgeladen. Ein Kurzzeitentladungstest kann nach einer Stunde Ladezeit gemacht werden. Laden Sie das Gerät 24 Stunden auf, bevor Sie einen Langzeitentladungstest durchführen.

The battery in this unit may not be fully charged. A short-term discharge test may be conducted after the EM has been charging for 1 hour. Charge for 24 hours before conducting a long-term discharge test.



2a

2b 59LN101

3Nm

3 220...240V
0/50/60Hz

Permanet phase
Switched phase







40
30
7...8
5x 1.5mm²
ø8...12

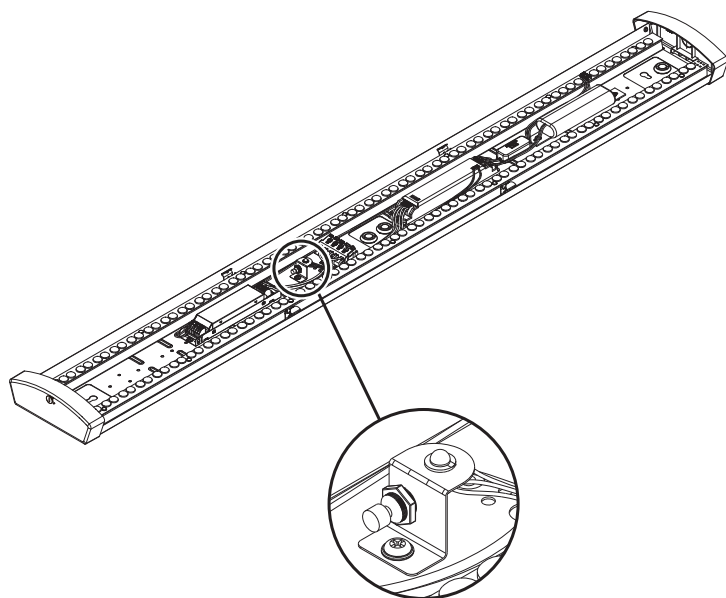
ON
1 2 3

51LN12MDM20A					51LN12MKM40A					51LN12MNM70A				
1	2	3	Im	W	1	2	3	Im	W	1	2	3	Im	W
OFF	OFF	OFF	2630	22	OFF	OFF	OFF	5000	37	OFF	OFF	OFF	7150	52
ON	OFF	OFF	2350	20	ON	OFF	OFF	4250	31	ON	OFF	OFF	6290	44
OFF	ON	OFF	1950	17	OFF	ON	OFF	3540	26	OFF	ON	OFF	5310	37
OFF	OFF	ON	1600	14	OFF	OFF	ON	2930	22	OFF	OFF	ON	4250	30

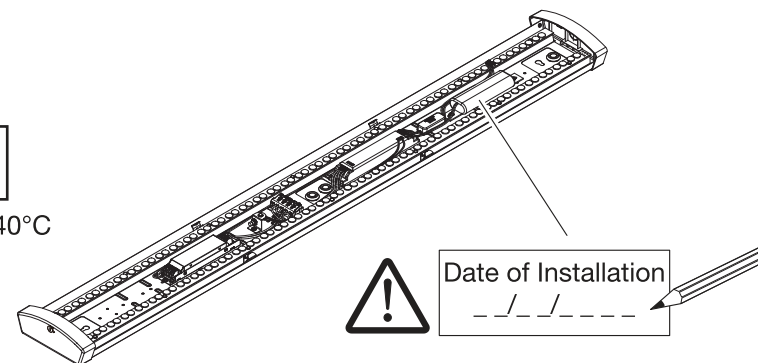
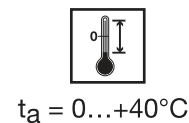
Manual Test:


Explanation of LED indicator

	Color	LED indication	Status	Comment
	Green	Permanent green	Fully Charged or Charging Mode	AC mode
	Green	Fast flashing green (0.1 sec on, 0.1 sec off)	Function test underway	
	Green	Slow flashing green (1 sec on, 1 sec off)	Duration test underway	
	Red	Permanent red	Load failure	Open circuit/ Short circuit Led failure (emergency mode)
	Red	Slow flashing red (1 sec on, 1 sec off)	Battery failure	Battery failed the duration test or function test / No battery
		Green and red off	DC mode	Battery operation (emergency mode)



51LN12MKM40A3G
51LN12MNM70A3G



 **Caution:** Before Installation, Make Certain The A.C. Power is Off !

SelfTest

The emergency kits carry out self-tests automatically to ensure its functionality. The self-test includes 3 types of tests:

Initial test

- As soon as mains supply is connected, the emergency kit will carry out a 3-seconds functiona test automatically.
- In case of a failure, the LED will turn permanent red. Otherwise, the charge mode will start.

Functional test

- Refers to charging, discharging and the functioning of load.
- Carry out for 10 seconds automatically every 30 calendar days.

Duration test

- Refers to the test of batteries capacity.
- Carry out every 180 calendar days.

Rest mode

Rest mode can be initiated during emergency mode by pressing test switch longer than 3 seconds. The rest mode will be exited automatically after reconnect AC mains.

Please note

If mains supply is off during self-test period, emergency conversion module would terminate self-test immediately and go into emergency mode.

Self-test is under the regulation of EN62034.