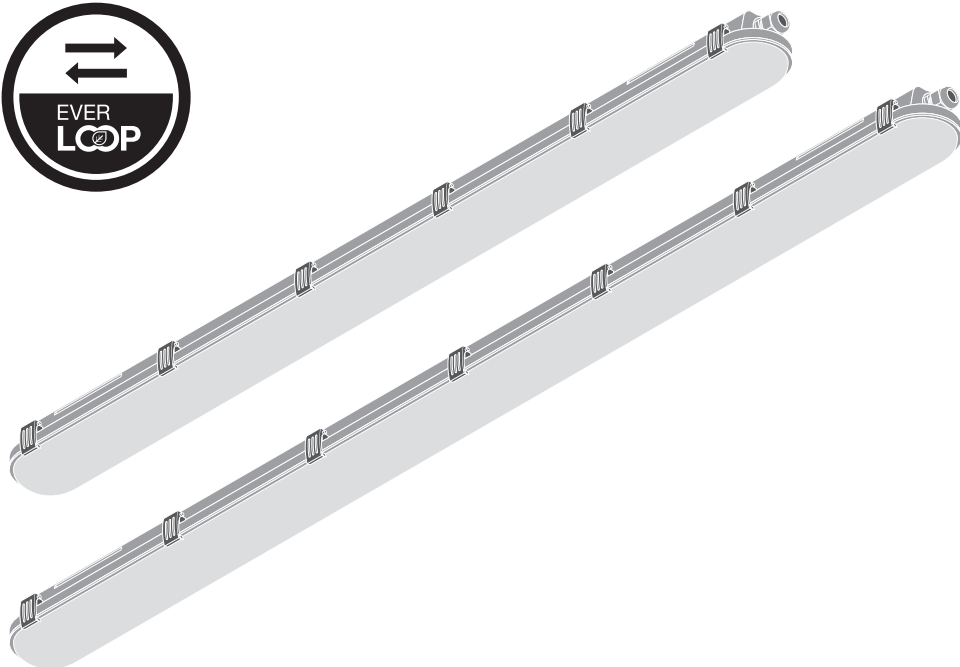


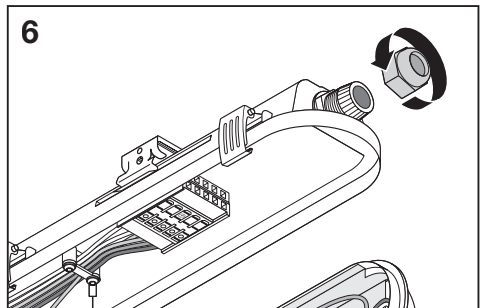
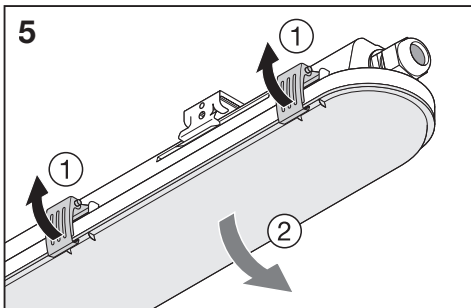
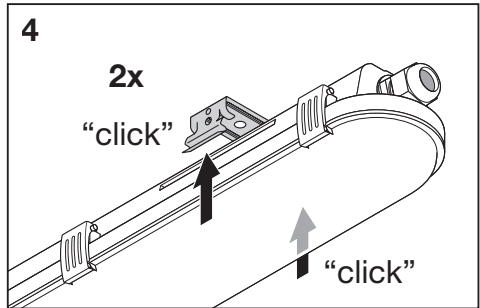
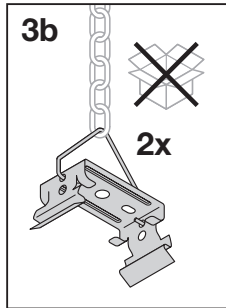
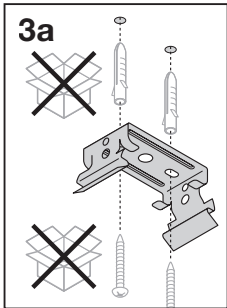
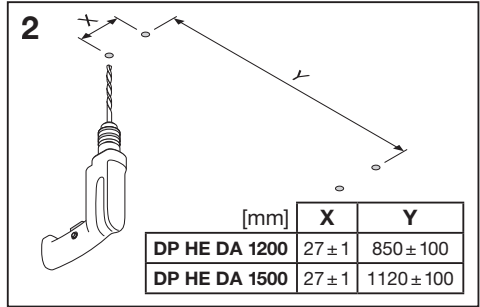
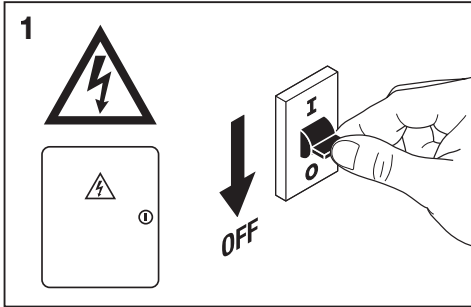
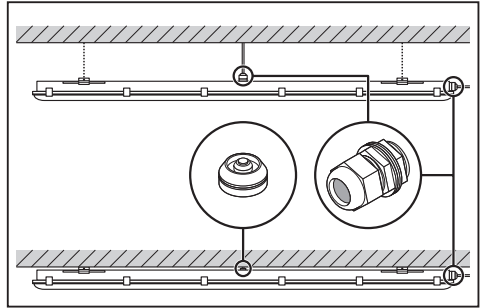
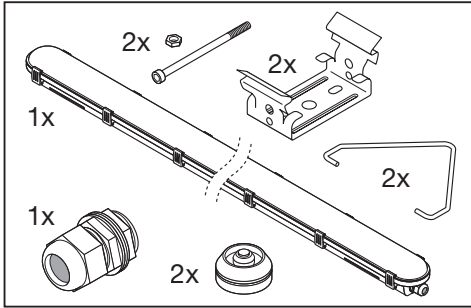
DAMP PROOF HE DALI

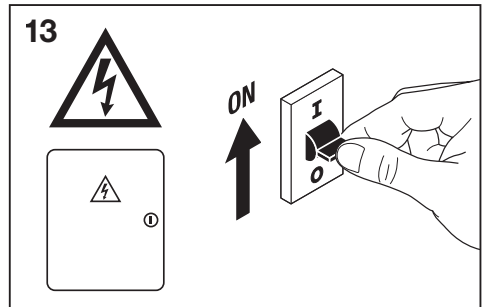
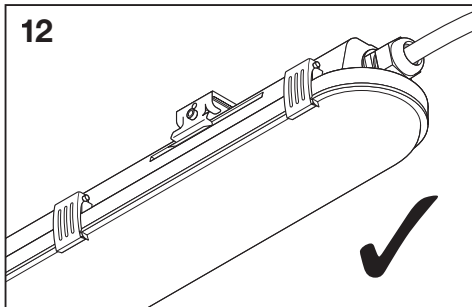
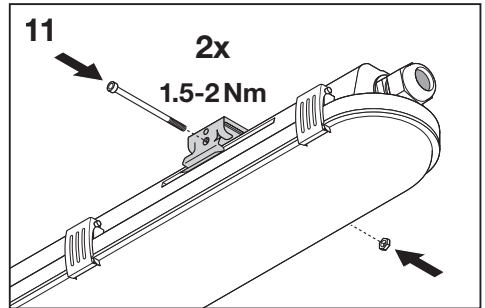
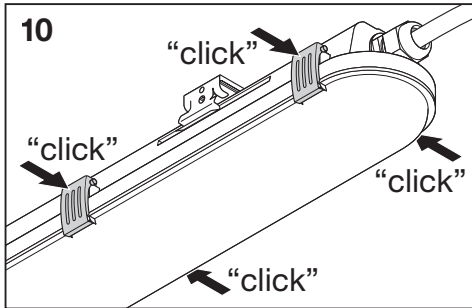
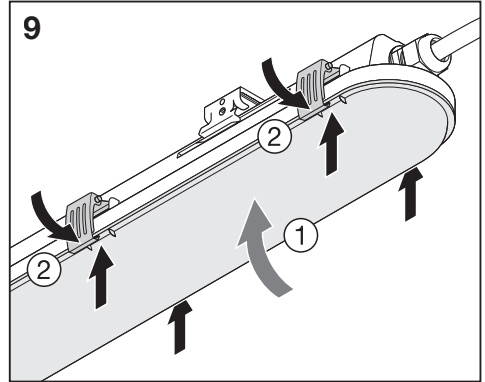
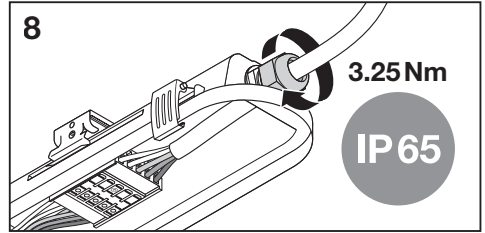
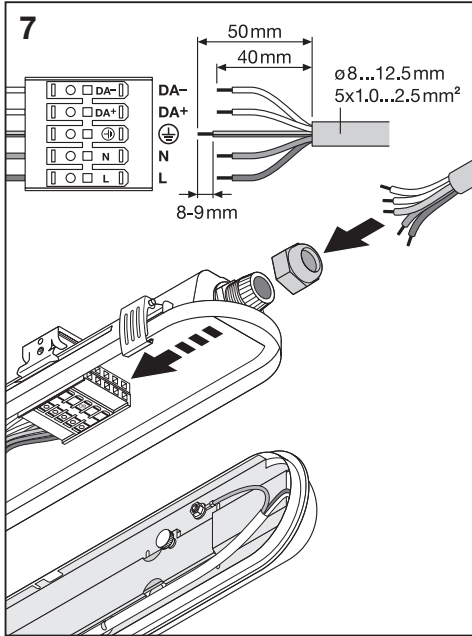
	EAN	l x w x h [mm]	W	VAC	Hz	lm	lm/W
DP HE DA 1200 P 29W 840 IP65	4099854406874	1200 x 82 x 68	28.4	220-240V	0/50/60 Hz	4640	163
DP HE DA 1200 P 29W 865 IP65	4099854406898	1200 x 82 x 68	28.4	220-240V	0/50/60 Hz	4640	163
DP HE DA 1500 P 23W 840 IP65	4099854406911	1500 x 82 x 68	22.7	220-240V	0/50/60 Hz	3680	162
DP HE DA 1500 P 23W 865 IP65	4099854406935	1500 x 82 x 68	22.7	220-240V	0/50/60 Hz	3680	162
DP HE DA 1500 P 40W 840 IP65	4099854406959	1500 x 82 x 68	39.2	220-240V	0/50/60 Hz	6400	163
DP HE DA 1500 P 40W 865 IP65	4099854406973	1500 x 82 x 68	39.2	220-240V	0/50/60 Hz	6400	163
DP HE DA 1500 P 49W 840 IP65	4099854406997	1500 x 82 x 68	48.4	220-240V	0/50/60 Hz	7840	162
DP HE DA 1500 P 49W 865 IP65	4099854407017	1500 x 82 x 68	48.4	220-240V	0/50/60 Hz	7840	162

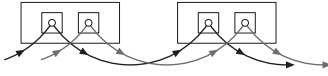
	EAN	K	IP	IK	∠	R _a	°(°C)	PF	👤
DP HE DA 1200 P 29W 840 IP65	4099854406874	4000	65	08	120°	> 80	-20...+40	> 0.9	1.40 kg
DP HE DA 1200 P 29W 865 IP65	4099854406898	6500	65	08	120°	> 80	-20...+40	> 0.9	1.40 kg
DP HE DA 1500 P 23W 840 IP65	4099854406911	4000	65	08	120°	> 80	-20...+40	> 0.9	1.65 kg
DP HE DA 1500 P 23W 865 IP65	4099854406935	6500	65	08	120°	> 80	-20...+40	> 0.9	1.65 kg
DP HE DA 1500 P 40W 840 IP65	4099854406959	4000	65	08	120°	> 80	-20...+40	> 0.9	1.65 kg
DP HE DA 1500 P 40W 865 IP65	4099854406973	6500	65	08	120°	> 80	-20...+40	> 0.9	1.65 kg
DP HE DA 1500 P 49W 840 IP65	4099854406997	4000	65	08	120°	> 80	-20...+40	> 0.9	1.65 kg
DP HE DA 1500 P 49W 865 IP65	4099854407017	6500	65	08	120°	> 80	-20...+40	> 0.9	1.65 kg

DAMP PROOF HE DALI



DAMP PROOF HE DALI





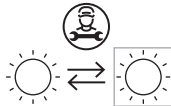
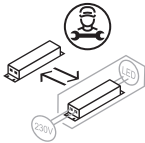
n	B16	C10	C16
DP HE DA 1200 P 29W	32	33	53
DP HE DA 1500 P 23W	32	33	53
DP HE DA 1500 P 40W	31	32	52
DP HE DA 1500 P 49W	22	21	36



www.ledvance.com/everloop



Raccolta Carta
Verifica le disposizioni
del tuo comune.



FR
Cet appareil et
ses accessoires
se recyclent

À DÉPOSER
EN MAGASIN

À DÉPOSER
EN DÉCHÈTERIE

OU

Points de collecte sur www.quefairedemesdechets.fr



LEDVANCE SASU
CQM, 5 rue d'Altorf
67120 Molsheim France
www.ledvance.com

C10449057
G11204656

18.12.24

© LEDVANCE Ltd, Sterling House,
810 Mandarin Court, Warrington,
Cheshire, WA1 1GG, United Kingdom