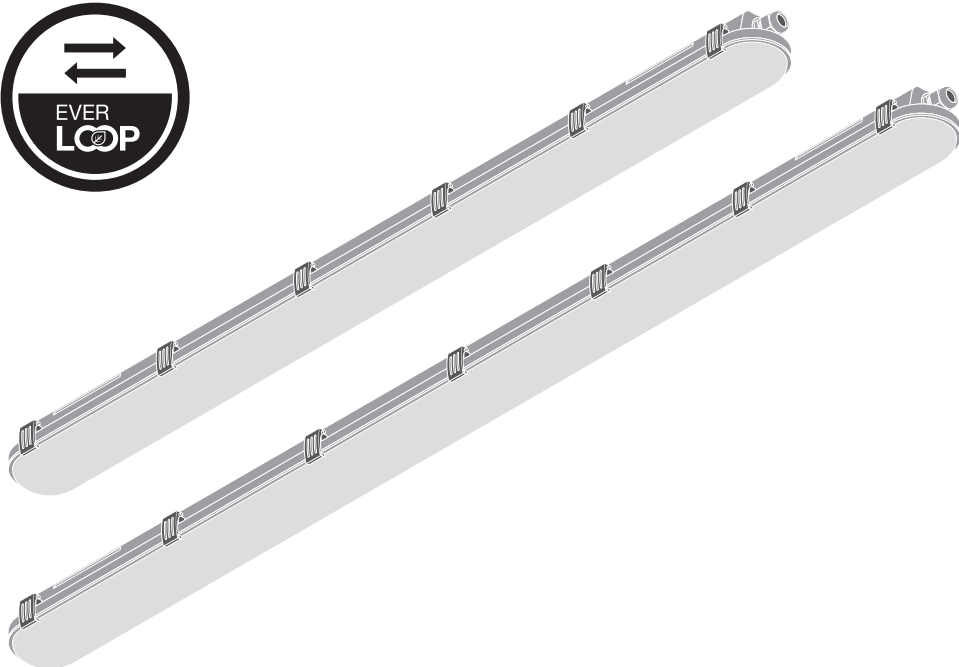


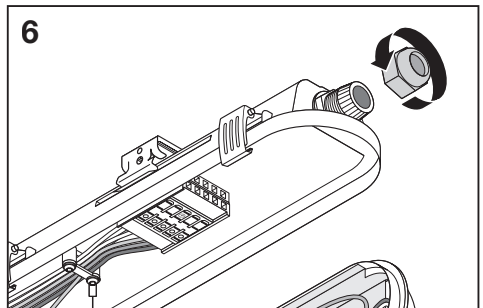
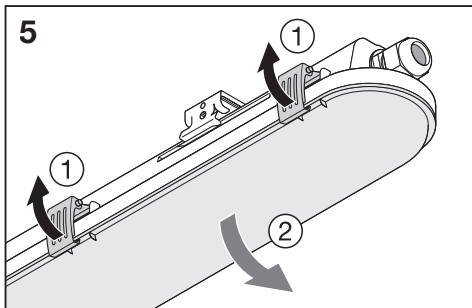
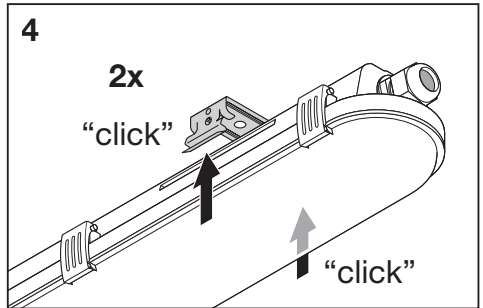
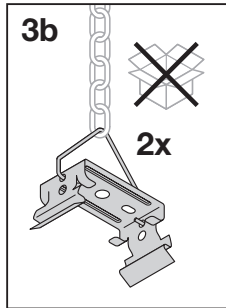
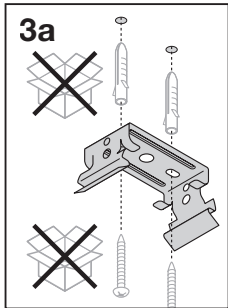
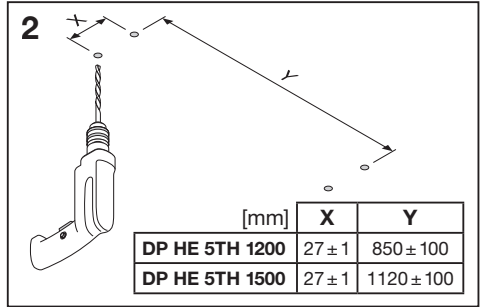
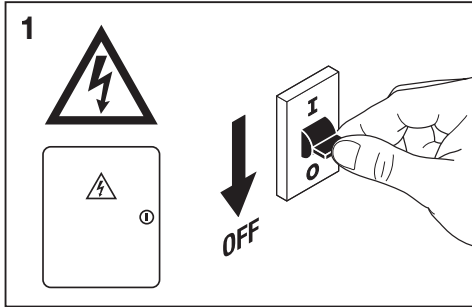
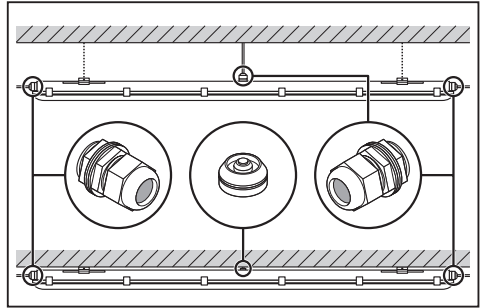
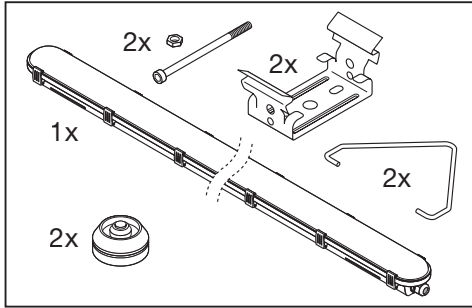
# DAMP PROOF HE THROUGHWIRING

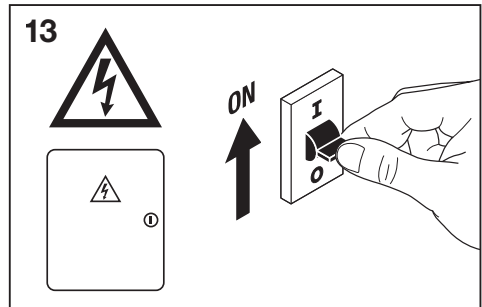
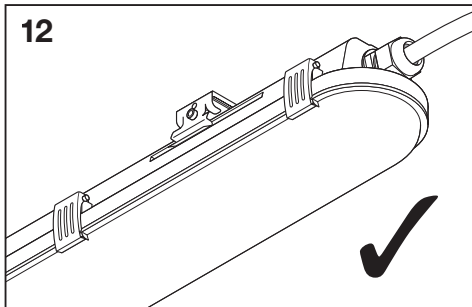
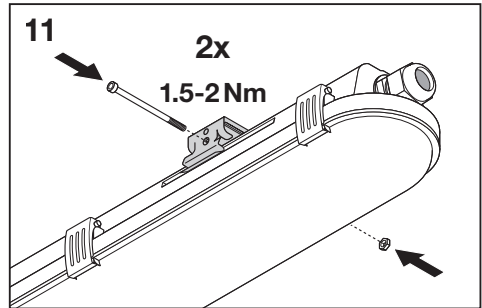
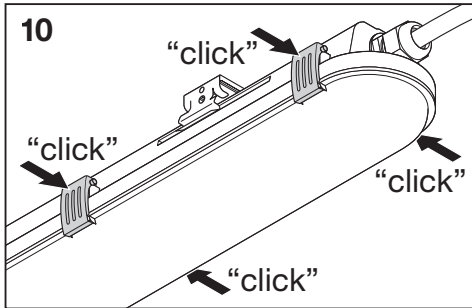
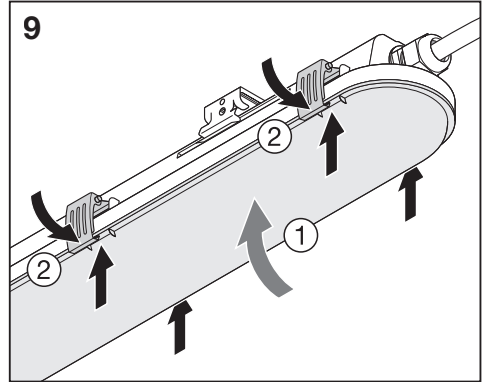
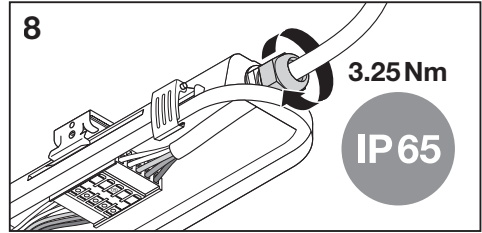
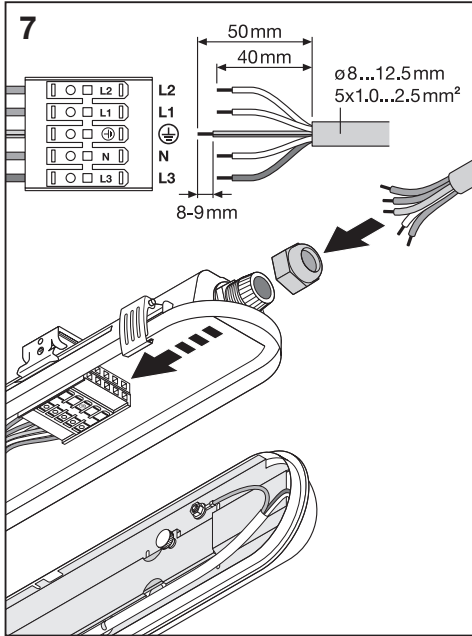
	EAN	l x w x h [mm]	W*	V <sub>AC</sub>	Hz	lm*	lm/W*
DP HE 5TH 1200 P 29W ML 840 IP65	4099854480621	1200 x 82 x 68	28.3	220-240 V	0/50/60 Hz	4640	164
DP HE 5TH 1200 P 29W ML 865 IP65	4099854480645	1200 x 82 x 68	28.3	220-240 V	0/50/60 Hz	4640	164
DP HE 5TH 1500 P 40W ML 840 IP65	4099854407031	1500 x 82 x 68	39.3	220-240 V	0/50/60 Hz	6400	163
DP HE 5TH 1500 P 40W ML 865 IP65	4099854407055	1500 x 82 x 68	39.3	220-240 V	0/50/60 Hz	6400	163
DP HE 5TH 1500 P 73W ML 840 IP65	4099854480669	1500 x 82 x 68	72.2	220-240 V	0/50/60 Hz	11680	162
DP HE 5TH 1500 P 73W ML 865 IP65	4099854480720	1500 x 82 x 68	72.2	220-240 V	0/50/60 Hz	11680	162

	EAN	K	IP	IK	∇	R <sub>a</sub>	⊖ (°C)	PF	👤
DP HE 5TH 1200 P 29W ML 840 IP65	4099854480621	4000	65	08	120°	> 80	-25...+40	> 0.9	1.60 kg
DP HE 5TH 1200 P 29W ML 865 IP65	4099854480645	6500	65	08	120°	> 80	-25...+40	> 0.9	1.60 kg
DP HE 5TH 1500 P 40W ML 840 IP65	4099854407031	4000	65	08	120°	> 80	-25...+40	> 0.9	1.85 kg
DP HE 5TH 1500 P 40W ML 865 IP65	4099854407055	6500	65	08	120°	> 80	-25...+40	> 0.9	1.85 kg
DP HE 5TH 1500 P 73W ML 840 IP65	4099854480669	4000	65	08	120°	> 80	-25...+40	> 0.9	1.90 kg
DP HE 5TH 1500 P 73W ML 865 IP65	4099854480720	6500	65	08	120°	> 80	-25...+40	> 0.9	1.90 kg

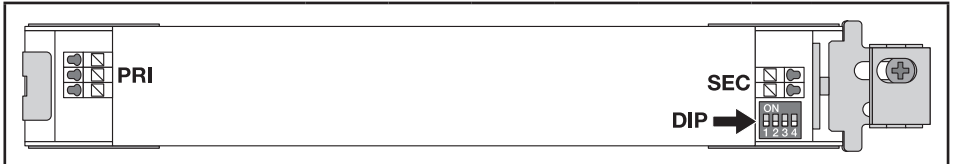
# DAMP PROOF HE THROUGHWIRING



# DAMP PROOF HE THROUGHWIRING



\*



	PIN 1	PIN 2	PIN 3	PIN 4	W	lm	lm/W	PRI $I_{in}$ [mA]	SEC $I_{out}$ [mA]
	ON OFF	ON OFF	ON OFF	ON OFF					
<b>DP HE 5TH 1200 P 29W ML 840 IP65</b> <b>DP HE 5TH 1200 P 29W ML 865 IP65</b>	OFF	OFF	OFF	OFF	14.0	2260	161	65	100
	OFF	OFF	OFF	<b>ON</b>	17.3	2810	162	80	125
	OFF	OFF	<b>ON</b>	OFF	21.4	3460	162	90	150
	OFF	OFF	<b>ON</b>	<b>ON</b>	24.0	3900	163	105	175
	OFF	<b>ON</b>	OFF	OFF	28.3	4640	164	125	200
<b>DP HE 5TH 1500 P 40W ML 840 IP65</b> <b>DP HE 5TH 1500 P 40W ML 865 IP65</b>	OFF	OFF	OFF	OFF	16.0	2590	162	75	100
	OFF	OFF	OFF	<b>ON</b>	20.0	3240	162	90	125
	OFF	OFF	<b>ON</b>	OFF	23.4	3810	163	105	150
	OFF	OFF	<b>ON</b>	<b>ON</b>	26.9	4360	162	120	175
	OFF	<b>ON</b>	OFF	OFF	31.1	5070	163	140	200
	OFF	<b>ON</b>	OFF	<b>ON</b>	35.0	5700	163	160	225
	OFF	<b>ON</b>	<b>ON</b>	OFF	39.3	6400	163	175	250
<b>DP HE 5TH 1500 P 73W ML 840 IP65</b> <b>DP HE 5TH 1500 P 73W ML 865 IP65</b>	OFF	OFF	OFF	OFF	47.6	7780	163	215	300
	OFF	OFF	OFF	<b>ON</b>	55.2	9010	163	250	350
	OFF	OFF	<b>ON</b>	OFF	63.3	10300	163	280	400
	OFF	OFF	<b>ON</b>	<b>ON</b>	72.2	11680	162	325	450

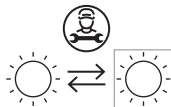
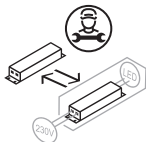
n	B16	C10	C16
DP HE 5TH 1200 P 29W	26	28	42
DP HE 5TH 1500 P 40W	26	28	42
DP HE 5TH 1500 P 73W	14	16	23



[www.ledvance.com/everloop](http://www.ledvance.com/everloop)



PAP  
Raccolta Carta  
Verifica le disposizioni  
del tuo comune.



FR  
Cet appareil et  
ses accessoires  
se recyclent



Points de collecte sur [www.quefairedemesdechets.fr](http://www.quefairedemesdechets.fr)



C10449057  
G11204657

18.12.24

LEDVANCE SASU  
CQM, 5 rue d'Altorf  
67120 Molshheim France  
[www.ledvance.com](http://www.ledvance.com)

© LEDVANCE Ltd, Sterling House,  
810 Mandarin Court, Warrington,  
Cheshire, WA1 1GG, United Kingdom