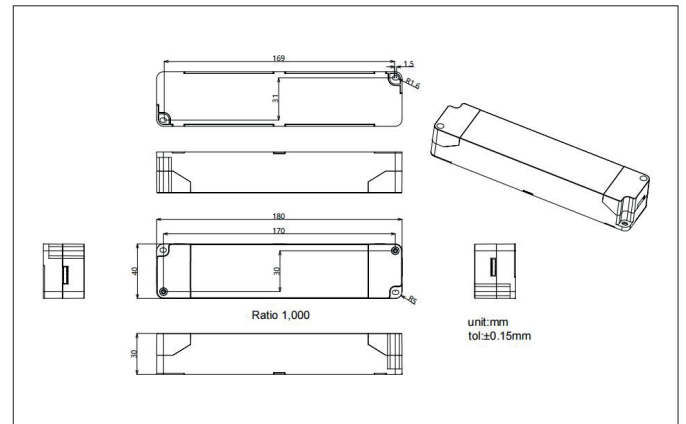


PINOS / AGGY / OREN LED driver 900 mA - 1,050 mA, 1-10 V dimmable

Article no. 17844010

Light.
For Generations.**Tender**

LED driver 900 mA - 1,050 mA, 1-10 V dimmable, white, Rectangular. Material: Plastic, Protection class: (EN 61140) II, Voltage: 230V AC 50Hz, Power: 44.1 W, Dimmable: Yes, Control: 1-10 V.

Article data	
Article no.	17844010
GTIN	4255752515432
Series name	PINOS / AGGY / OREN
Short description	LED driver 900 mA - 1,050 mA, 1-10 V dimmable
Material	Plastic
Colour	White
Shape	Rectangular
Length	180 mm
Width	40 mm
Hight	30 mm
Weight	0.157 kg
stamp	ENEC
Conformance	CE, UKCA

PINOS / AGGY / OREN LED driver 900 mA - 1,050 mA, 1-10 V dimmable

Article no. 17844010

Light.
For Generations.

Operating technology of driver	
AC nominal voltage min	198 V
AC nominal voltage max	264 V
Frequency min	50 Hz
Frequency max	60 Hz
Protection class	II
Power	44.1 W
Output_ripple_current	5
Starting current	12,7 A, 116 µs
Suitable for emergency lighting	No
Ambient temperature	-20°C bis +45°C
measure point (tc)	90 °C
Version	ohne Konfektionierung
Power factor	0.9
max. no. lights on B10 A	36
max. no. lights on B16 A	58
max. no. lights on C16 A	58
max. no. lights on C10 A	36
Output voltage max	42.00 V
Output voltage min.	30.00 V
Flicker value Pst LM	1.00
Stroboscopic effect value SVM	.40
Control	1-10 V
Connection type-primary	Screw connection
Connection type-secondary	Screwed terminal
Number of poles	4
Flicker-free	Yes
Average nominal lifespan	30000 h
Output current	900, 950, 1.000 oder 1.050 mA

Packing data	
Gross weight	0.167 kg
Length of packaging	140 mm
Packaging width	110 mm
Packaging height	120 mm
Disposal at end of life	This product must not be disposed of with household waste. You are obliged, to dispose of such electrical waste separately. By disposing of electrical waste and other old or defective electronics separately, you support recycling or other forms of re-use. In that way you help to take care and to avoid that harmful substances get into the environment.