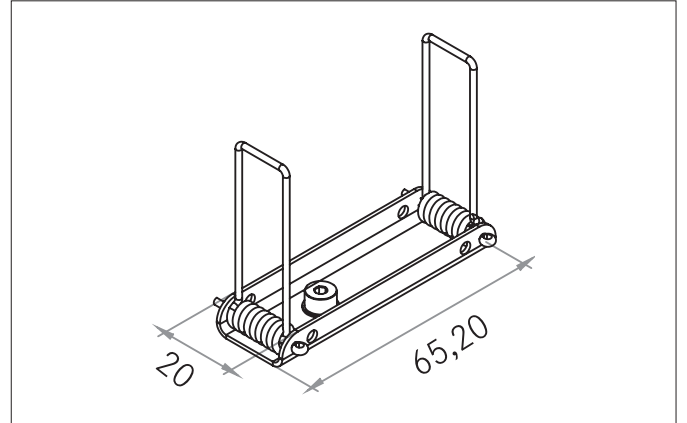


P32-12 Spring holder set for cavity walls

Article no. 53032020


Tender

Spring holder set for cavity walls, aluminium raw. Material: Steel.

Article data	
Article no.	53032020
GTIN	4251433981091
Series name	P32-12
Short description	Spring holder set for cavity walls
Material	Steel
Colour	Alu
Length	20 mm
Width	65.2 mm
Weight	0.046 kg
Conformance	CE, UKCA

Packing data	
Gross weight	0.05 kg
Length of packaging	120 mm
Packaging width	20 mm
Packaging height	180 mm
Disposal at end of life	<p>This product must not be disposed of with household waste. You are obliged, to dispose of such electrical waste separately.</p> <p>By disposing of electrical waste and other old or defective electronics separately, you support recycling or other forms of re-use. In that way you help to take care and to avoid that harmful substances get into the environment.</p>