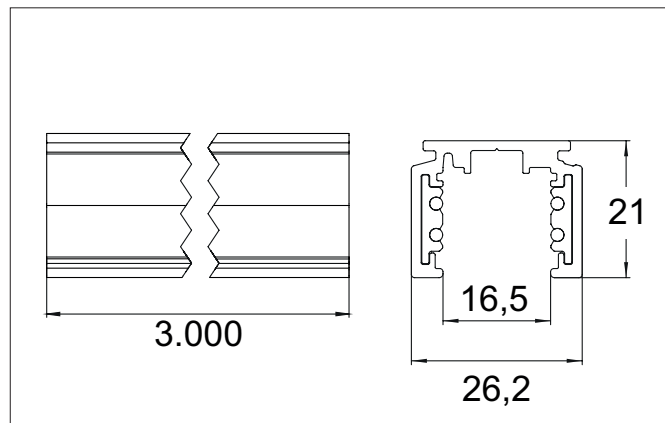


Flat 48 V track

Article no. 88487380


Tender

Flat 48 V track, black, Rectangular.Surface mounting, Ceiling-/Wall-mounted Mounting method: Surface mounting, Place of installation: Ceiling-/Wall-mounted, Material: Aluminium, Protection class: (EN 61140) II, Voltage: 48 V DC.

Article data	
Article no.	88487380
GTIN	4255752520177
Short description	Flat 48 V track
Material	Aluminium
Colour	Black
Type of surface	Structure
Shape	Rectangular
Length	3,000 mm
Width	26.2 mm
Hight	21 mm
Weight	2.100 kg
stamp	ENEC
Conformance	CE

Flat 48 V track

Article no. 88487380

Packing data	
Gross weight	2.12 kg
Length of packaging	3,002 mm
Packaging width	26 mm
Packaging height	22 mm
Disposal at end of life	<p>This product must not be disposed of with household waste. You are obliged, to dispose of such electrical waste separately.</p> <p>By disposing of electrical waste and other old or defective electronics separately, you support recycling or other forms of re-use. In that way you help to take care and to avoid that harmful substances get into the environment.</p>

Flat 48 V track

Article no. 88487380

Optional accessories
Article no.: 88482080 End piece for 48 V track DALI / without cable hole Dimensions: 1 mm x 20.5 mm x 21 mm https://www.brumberg.com/fileadmin/products/Datenblatt_88482080_2021_DE.pdf
Article no.: 88482180 End piece for 48 V track DALI / with cable hole Dimensions: 1 mm x 20.5 mm x 21 mm https://www.brumberg.com/fileadmin/products/Datenblatt_88482180_2021_DE.pdf
Article no.: 88484080 L-connector 90° to 48 V track Dimensions: 105 mm x 105 mm x 18.7 mm https://www.brumberg.com/fileadmin/products/Datenblatt_88484080_2021_DE.pdf
Article no.: 88484180 Flexible connector for 48 V track Dimensions: 274 mm https://www.brumberg.com/fileadmin/products/Datenblatt_88484180_2021_DE.pdf
Article no.: 88484280 Final power supply to 48 V track Dimensions: 112 mm https://www.brumberg.com/fileadmin/products/Datenblatt_88484280_2021_DE.pdf
Article no.: 88484380 Electrical connector for 48 V track Dimensions: 105 mm https://www.brumberg.com/fileadmin/products/Datenblatt_88484380_2021_DE.pdf
Article no.: 17480100 LED converter for 48 V track system Leistung: 100 W Dimensions: 298 mm x 16 mm x 19 mm https://www.brumberg.com/fileadmin/products/Datenblatt_17480100_2021_DE.pdf
Article no.: 17480200 LED converter for 48 V track system Leistung: 250 W Dimensions: 268 mm x 22 mm x 43.5 mm https://www.brumberg.com/fileadmin/products/Datenblatt_17480200_2021_DE.pdf
Article no.: 81107000 Track pliers https://www.brumberg.com/fileadmin/products/Datenblatt_81107000_2021_DE.pdf
Article no.: 88488700 Cable suspension with quick release for flat 48 V track. Dimensions: 35 mm x 26.2 mm x 10.4 mm https://www.brumberg.com/fileadmin/products/Datenblatt_88488700_2021_DE.pdf

Flat 48 V track

Article no. 88487380

Optional accessories

Article no.: 88488730

Cable suspension with quick release for flat 48 V track.

Dimensions: 35 mm x 26.2 mm x 10.4 mm

https://www.brumberg.com/fileadmin/products/Datenblatt_88488730_2021_DE.pdf

Article no.: 88488750

Cable suspension with quick release for flat 48 V track.

Dimensions: 35 mm x 26.2 mm x 10.4 mm

https://www.brumberg.com/fileadmin/products/Datenblatt_88488750_2021_DE.pdf