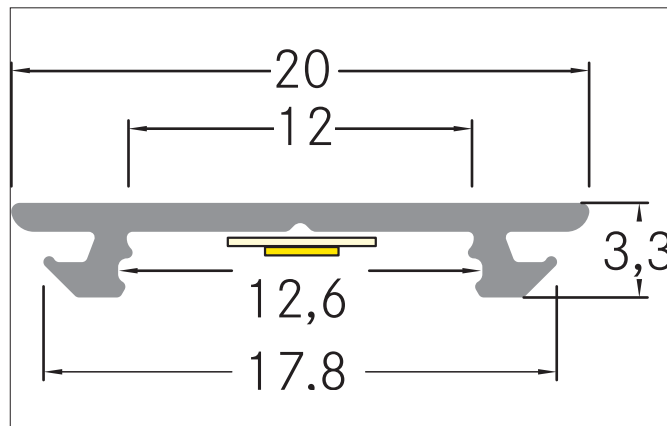


P72-12 Flexible profile

Article no. 53753080


Tender

Flexible profile, black anodized. For optimal attachment of the profile this holders are suitable 53020000 53021000 53022260 53022000. With the use of profile covers 53431070 the additional mechanical protection and optimal light distribution can be achieved. The associated end cap set is under 53078080 available. Mounting method: Special profile, Material: Aluminium, dimensions profile: length: 2.000 mm x width: 20 mm x height: 3,3 mm

Product Benefits

- For the design of organic shapes.
 - Cover and profile can be bent together, please take into account possible difference in length.
 - Half-round cover for a wide light emission.
 - Up to 4 meters length in one piece.
- (For deliveries beyond 2000 mm: please ask for delivery costs separately).
- Profile can also be used as a pendant variant.
 - High flexibility, horizontal minimum bending radius of 500 mm.

Article data	
Article no.	53753080
GTIN	4255752500346
Series name	P72-12
Short description	Flexible profile
Material	Aluminium
Colour	Black
Length	2,000 mm
Width	20 mm
Height	3.3 mm
Weight	0.070 kg
Conformance	CE, UKCA

P72-12 Flexible profile

Article no. 53753080

Packing data	
Gross weight	0.45 kg
Length of packaging	2,020 mm
Packaging width	45 mm
Packaging height	45 mm
Note	Please note that the materials aluminium and PMMA or PC can expand differently with changes in temperature! At a temperature change of 10°C, the coefficient of expansion is approx. aluminium is approx. 0.7mm per metre, for plastic approx. 1.5mm per metre. This is not a defect in the product, this is a normal physical process.
Disposal at end of life	This product must not be disposed of with household waste. You are obliged, to dispose of such electrical waste separately. By disposing of electrical waste and other old or defective electronics separately, you support recycling or other forms of re-use. In that way you help to take care and to avoid that harmful substances get into the environment.