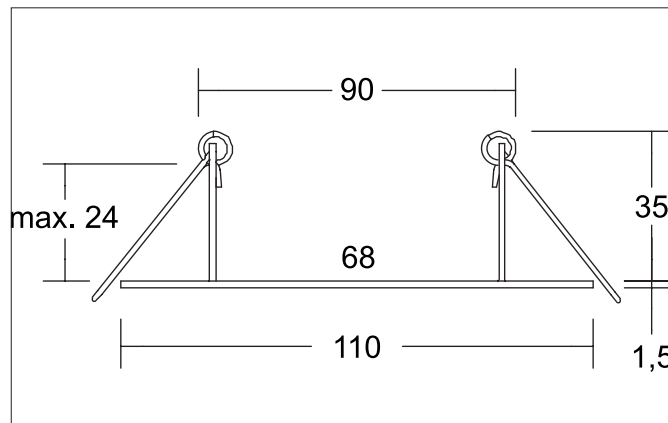


Reducing ring D 110 mm, for luminaire cut-out size 68 mm

Article no. 81201170


Tender

Reducing ring D 110 mm, for luminaire cut-out size 68 mm, white structure. Reducing ring with inner hole 68 mm. Diameter: 110 mm. The final installation depth depends on the installed luminaire. Installation depth without light: 34 mm. Maximum ceiling thickness: 16 mm, height: 1.5 mm. Can be used for on-site opening of 90 mm. Material: Steel.

Product Benefits

- Passend zu den Serien BB03, BB18, BB33, BB34, BB35, TIRREL-R, TIRRELdeep, SEVEN-R, LAKIL-R, PAYTON-R, INDIWO68-R, JARRID-R, DISC und BRONNY.

| Article data | |
|-------------------|----------------------------------------------------------|
| Article no. | 81201170 |
| GTIN | 4251433999041 |
| Short description | Reducing ring D 110 mm, for luminaire cut-out size 68 mm |
| Material | Steel |
| Colour | White |
| Type of surface | Structure |
| Weight | 0.046 kg |
| Conformance | CE, UKCA |

Reducing ring D 110 mm, for luminaire cut-out size 68 mm
Article no. 81201170

| Packing data | |
|-------------------------|--------------------------------------------------------------------------------------------------------------------------------------------------------------------------------------------------------------------------------------------------------------------------------------------------------------------------------------------------------------------------------|
| Gross weight | 0.07 kg |
| Length of packaging | 115 mm |
| Packaging width | 45 mm |
| Packaging height | 115 mm |
| Disposal at end of life | <p>This product must not be disposed of with household waste. You are obliged, to dispose of such electrical waste separately.</p> <p>By disposing of electrical waste and other old or defective electronics separately, you support recycling or other forms of re-use. In that way you help to take care and to avoid that harmful substances get into the environment.</p> |