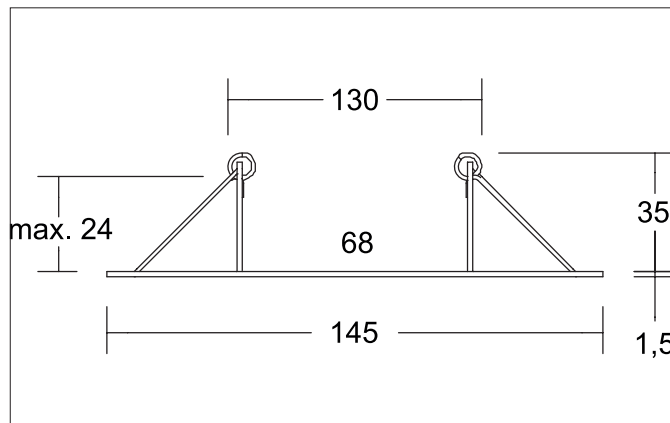
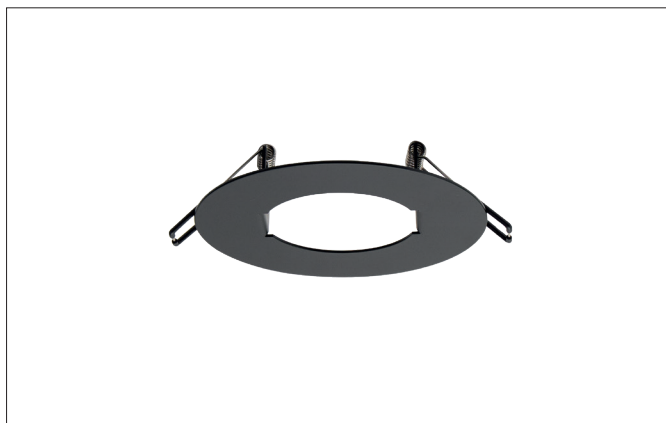


**Reducing ring D 145 mm, for luminaire cut-out size 68 mm**

Article no. 81203080


**Tender**

Reducing ring D 145 mm, for luminaire cut-out size 68 mm, black matt. Reducing ring with inner hole 68 mm. Diameter: 145 mm. The final installation depth depends on the depends on the installed luminaire. Installation depth without light: 34 mm. Maximum ceiling thickness: 16 mm, height: 1.5 mm. Can be used for on-site opening of 130 mm. Material: Steel.

**Product Benefits**

- Passend zu den Serien BB03, BB18, BB33, BB34, BB35, TIRREL-R, TIRRELdeep, SEVEN-R, LAKIL-R, PAYTON-R, INDIWO68-R, JARRID-R, DISC und BRONNY.

Article data	
Article no.	81203080
GTIN	4251433999140
Short description	Reducing ring D 145 mm, for luminaire cut-out size 68 mm
Material	Steel
Colour	Black
Type of surface	Matt
Weight	0.084 kg
Conformance	CE, UKCA

**Reducing ring D 145 mm, for luminaire cut-out size 68 mm**  
Article no. 81203080

Packing data	
Gross weight	0.12 kg
Length of packaging	150 mm
Packaging width	45 mm
Packaging height	150 mm
Disposal at end of life	<p>This product must not be disposed of with household waste. You are obliged, to dispose of such electrical waste separately.</p> <p>By disposing of electrical waste and other old or defective electronics separately, you support recycling or other forms of re-use. In that way you help to take care and to avoid that harmful substances get into the environment.</p>