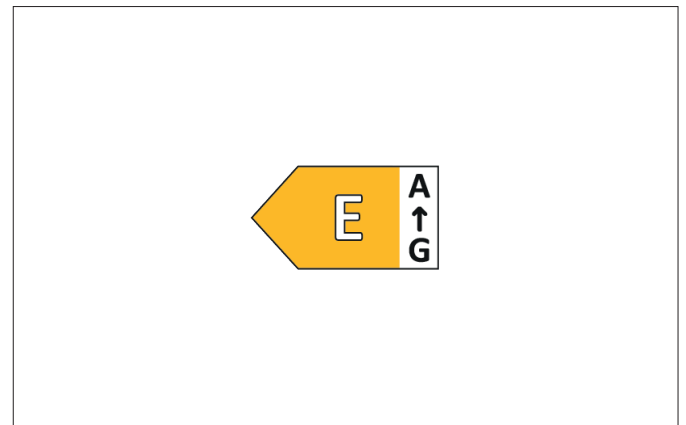
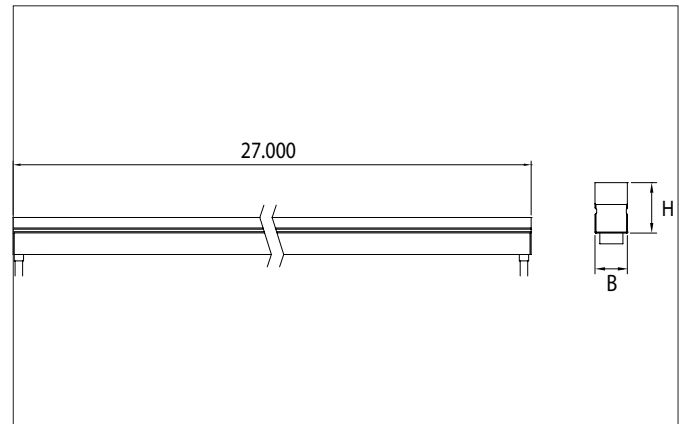


**QUALITYFLEX Protection Horizon LED flex lighting 5 m, CRI >90, 5****W / m, IP67**

Article no. 19582504

Light.  
For Generations.**Tender**

LED flex lighting, CRI >90, 5 W/m, IP67, white, 4.000K, CRI > 90. LED flex lighting Length: 5000.0 mm Lamp power per meter: 5.0 W/m, Luminous flux per meter: 150.0 lm/m, Degree of protection: IP67, Protection class: III, Voltage: 24V DC, Beam angle: 120.0 °, 120 LEDs per meter, Chip distance (Short Pitch) : 8,33mm. For individual application, the LED flex board can be used all 50 mm be cut back. If the LED flex board is shortened, the IP protection must be restored by the customer. The maximum system length of 27.000mm must not be exceeded with one feed-in.

**Product Benefits**

- Suitable for indoor and outdoor use (IP67).
- Divisible every 50 mm (IP65 protection).
- Ideal for terraces, facades and pool areas.
- Length 27,000 mm with a pitch of 50 mm.
- Lifetime L80/B10: 36,000 hours.
- Easy installation with matching aluminum profiles or mounting clips.
- Dimmable with appropriate accessories.

**QUALITYFLEX Protection Horizon LED flex lighting 5 m, CRI >90, 5 W / m, IP67**

Article no. 19582504

Light.  
For Generations.

| Article data                  |  |
|-------------------------------|--|
| Article no.                   | 19582504   |
| GTIN                          | 4251433998891  |
| Series name                   | QUALITYFLEX Protection Horizon                             |
| Short description             | LED flex lighting 5 m, CRI >90, 5 W / m, IP67              |
| Colour                        | White  |
| Length                        | 5,000 mm   |
| Width                         | 12 mm  |
| Height                        | 20 mm  |
| Scope of delivery             | incl. 1 x mounting instructions, 5 x identification labels |
| Weight                        | 3.040 kg   |
| Length of the connection line | 1,000 mm   |
| Conformance                   | UKCA   |

| Lighting technology          |               |
|------------------------------|---------------|
| Colour temperature           | 4.000 K       |
| Light colour                 | White         |
| Luminous flux per meter      | 150 lm/m      |
| System efficiency            | 30 lm/W       |
| McAdam-Step                  | McAdam-Step 2 |
| Colour rendering             | CRI > 90      |
| Beam angle                   | 120°          |
| Adjustable color temperature | No            |

| Operating technology of the luminaire |                                |
|---------------------------------------|--------------------------------|
| Lamp power per meter                  | 5 W/m                          |
| Voltage type                          | DC                             |
| DC nominal voltage max                | 24 V                           |
| Lamp                                  | LED                            |
| Protection class                      | III                            |
| Degree of protection                  | IP67                           |
| Ambient temperature                   | -20 °C up to +50 °C            |
| Dimmable                              | Yes                            |
| Wire number                           | 2                              |
| Control                               | Depending on driver            |
| Length of the connection line         | 1,000 mm                       |
| Cable assignment                      | red = + pole<br>black = - pole |
| Design of the connecting cable        | one-sided                      |
| Bulb change possible                  | No                             |
| Rated life time L70/B50 at 25 °C      | 54,000 h                       |
| Rated life time L80/B10 at 25 °C      | 36.000 h                       |
| Energy efficiency class               | E                              |

| Operating technology of QualityFlex |                     |
|-------------------------------------|---------------------|
| Power per meter                     | 5 W/m               |
| Short Pitch                         | 8.33 mm             |
| Number of lamps per meter           | 120 Qty             |
| Length of individual sections       | 50 mm               |
| Smallest bend radius                | 120 mm              |
| Length                              | 5,000 mm            |
| Maximum module length               | 27,000 mm           |
| Circuit type                        | Parallel conduction |
| LED Type                            | 2835 LED            |

**QUALITYFLEX Protection Horizon LED flex lighting 5 m, CRI >90, 5****W / m, IP67**

Article no. 19582504

Light.  
For Generations.

| Packing data            |   |
|-------------------------|---|
| Gross weight            | 3.3 kg  |
| Length of packaging     | 400 mm  |
| Packaging width         | 400 mm  |
| Packaging height        | 150 mm  |
| Disposal at end of life | This product must not be disposed of with household waste. You are obliged, to dispose of such electrical waste separately.<br>By disposing of electrical waste and other old or defective electronics separately, you support recycling or other forms of re-use. In that way you help to take care and to avoid that harmful substances get into the environment. |

| Compatible Driver |           |       |                     |        |        |        |
|-------------------|-----------|-------|---------------------|--------|--------|--------|
| Article no.       | Power min | Power | Control             | Length | Width  | Height |
| 17206000          | 1 W       | 20 W  | 1-10 V              | 146 mm | 55 mm  | 19 mm  |
| 17207000          | 1 W       | 30 W  | on/off              | 160 mm | 50 mm  | 22 mm  |
| 17214000          | 1 W       | 7.2 W | on/off              | 68 mm  | 35 mm  | 21 mm  |
| 17223000          | 1 W       | 75 W  | on/off              | 185 mm | 60 mm  | 31 mm  |
| 17224000          | 1 W       | 100 W | on/off              | 199 mm | 63 mm  | 36 mm  |
| 17225000          | 1 W       | 150 W | on/off              | 219 mm | 63 mm  | 36 mm  |
| 17226000          | 1 W       | 240 W | on/off              | 244 mm | 71 mm  | 38 mm  |
| 17227000          | 1 W       | 320 W | on/off              | 252 mm | 90 mm  | 44 mm  |
| 17228000          | 1 W       | 480 W | on/off              | 262 mm | 125 mm | 44 mm  |
| 17230000          | 5 W       | 30 W  | Trailing-edge phase | 145 mm | 50 mm  | 22 mm  |
| 17231000          | 12 W      | 75 W  | Trailing-edge phase | 185 mm | 60 mm  | 31 mm  |
| 17232000          | 12 W      | 120 W | Trailing-edge phase | 223 mm | 64 mm  | 32 mm  |
| 17240000          | 1 W       | 20 W  | on/off              | 150 mm | 40 mm  | 30 mm  |
| 17241000          | 1 W       | 40 W  | on/off              | 210 mm | 40 mm  | 30 mm  |
| 17242000          | 1 W       | 60 W  | on/off              | 250 mm | 40 mm  | 30 mm  |
| 17243000          | 1 W       | 120 W | on/off              | 300 mm | 40 mm  | 30 mm  |
| 17244000          | 1 W       | 150 W | on/off              | 310 mm | 40 mm  | 30 mm  |
| 17250000          | 1 W       | 45 W  | DALI-2              | 187 mm | 45 mm  | 31 mm  |
| 17251000          | 1 W       | 80 W  | DALI-2              | 290 mm | 45 mm  | 31 mm  |
| 17252000          | 1 W       | 150 W | DALI-2              | 290 mm | 45 mm  | 31 mm  |
| 17260000          | 1 W       | 150 W | on/off              | 105 mm | 90 mm  | 59 mm  |

| Compatible Controller |           |       |                             |        |         |        |
|-----------------------|-----------|-------|-----------------------------|--------|---------|--------|
| Article no.           | Power min | Power | Control                     | Length | Width   | Height |
| 17502000              | 1 W       | 120 W | DALI                        | 183 mm | 33 mm   | 23 mm  |
| 18151000              | 1 W       | 240 W | KNX                         | 170 mm | 59 mm   | 30 mm  |
| 18152000              | 1 W       | 240 W | DALI-DT6                    | 170 mm | 59 mm   | 30 mm  |
| 18153000              | 1 W       | 240 W | DMX                         | 170 mm | 59 mm   | 30 mm  |
| 18154000              | 1 W       | 240 W | 1-10 V                      | 170 mm | 59 mm   | 30 mm  |
| 18161000              | 1 W       | 240 W | KNX                         | 72 mm  | 90 mm   | 70 mm  |
| 18162000              | 1 W       | 240 W | DALI-DT6                    | 54 mm  | 110 mm  | 66 mm  |
| 18164000              | 1 W       | 240 W | 1-10 V                      | 54 mm  | 110 mm  | 66 mm  |
| 17528000              | 1 W       | 240 W | Wireless technology control |        |         |        |
| 17511000              | 1 W       | 240 W | Wireless technology control | 145 mm | 46.5 mm | 16 mm  |
| 18157000              | 1 W       | 240 W | ZigBee                      | 145 mm | 46.5 mm | 16 mm  |
| 18192000              | 1 W       | 240 W | Wireless technology control | 160 mm | 45 mm   | 18 mm  |

**QUALITYFLEX Protection Horizon LED flex lighting 5 m, CRI >90, 5****W / m, IP67**

Article no. 19582504

Light.  
For Generations.

| Compatible Profiles |                                |          |         |         |
|---------------------|--------------------------------|----------|---------|---------|
|                     | Series name                    | Length   | Width   | Hight   |
| 53581260            | QUALITYFLEX Protection Horizon | 1,000 mm | 17.5 mm | 22.9 mm |
| 53582260            | QUALITYFLEX Protection Horizon | 514 mm   | 13.5 mm | 18 mm   |