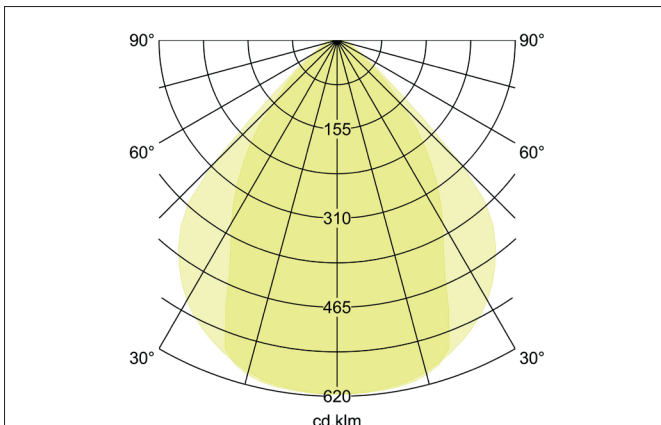
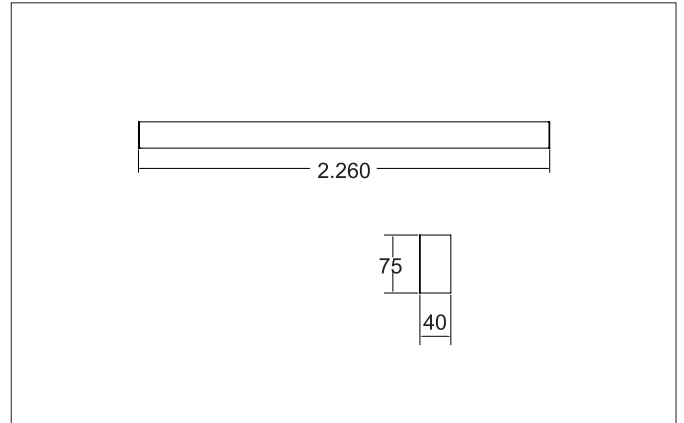
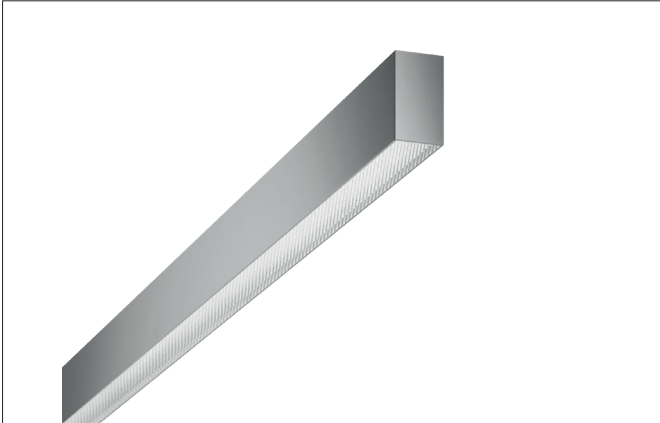


BIRO40 LED surface-mounted profile luminaire direct

Article no. 7412182032


Tender

Rectangular LED surface-mounted profile luminaire direct, luminaire length 2,260 mm, luminaire width 40 mm, height 75 mm, weight 3.790 kg, with rotationally symmetrical narrow-wide beam light distribution. Plastic microprismatic cover, rated luminous flux 3,774 lm, UGR < 19, rated wattage 32 W, light color warm white to warm white, most similar color temperature (CCT) 3,000 K - 1,800 K, general color rendering index CRI > 90, service life L80/B50 at 25 °C: 113,000 h, housing material: aluminum / steel / plastic, color: textured silver, permissible ambient temperature (ta): -20 °C - +25 °C, protection class (EN 61140): I, degree of protection (DIN EN 60529): IP20. With electronic control gear, DALI-DT8 dimmable.

Article data	
Article no.	7412182032
GTIN	4255752517214
Series name	BIRO40
Short description	LED surface-mounted profile luminaire direct
Material	Aluminium / Steel / Plastic
Colour	Silver
Type of surface	Structure
Shape	Rectangular
Length	2,260 mm
Width	40 mm
Height	75 mm
Weight	3.790 kg
Conformance	CE, UKCA

BIRO40 LED surface-mounted profile luminaire direct

Article no. 7412182032

Lighting technology	
Colour temperature	3.000 K - 1.800 K
Light colour	White
Color Temperature 1	3,000 K
Color Temperature 2	1,800 K
Light output	Direct
Luminous flux	3,774 lm
Luminous flux 1	3,760 lm
Luminous flux 2	2,114 lm
System efficiency	118 lm/W
McAdam-Step	McAdam-Step 3
Colour rendering	CRI > 90
Reflector	Without
Beam angle	80°
Glare evaluation	UGR < 19
Light sharing	Symmetric
Adjustable color temperature	Infinite control

Operating technology of the luminaire	
System output	32 W
Voltage type	AC
AC nominal voltage max	230 V
Frequency max	50 Hz
Lamp	LED
Lamp holder	Without fitting
Protection class	I
Degree of protection	IP20
Protection class on the ceiling side	IP20
Dimmable	Yes
Control	DALI-DT8
Bulb change possible	The light source of this luminaire may only be replaced by the manufacturer or a service technician commissioned by him or a similarly qualified person.
Rated life time L80/B50 at 25 °C	113.000 h

Mounting technology	
Mounting method	Surface mounting
Place of installation	Ceiling-mounted
Adjustability	Not adjustable
Material cover	Plastic, microprismatic

Packing data	
Gross weight	4.58 kg
Length of packaging	2,300 mm
Packaging width	160 mm
Packaging height	135 mm
Disposal at end of life	This product must not be disposed of with household waste. You are obliged, to dispose of such electrical waste separately. By disposing of electrical waste and other old or defective electronics separately, you support recycling or other forms of re-use. In that way you help to take care and to avoid that harmful substances get into the environment.