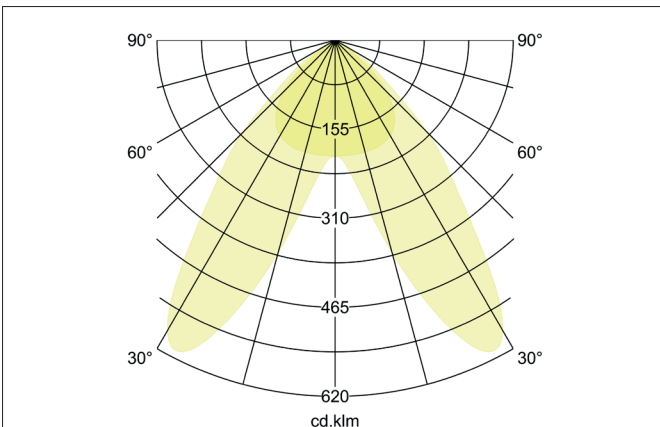
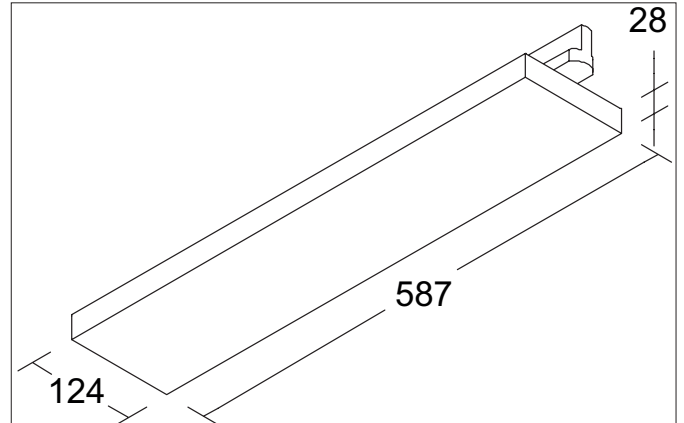


**BALI MEGA LED track spotlight, on/off**  
Article no. 44032164



**Tender**  
LED track spotlight, on/off, Rectangular. Luminaire length 587.0 mm, Luminaire width 124.0 mm, Hight 28.0 mm Weight 2.14 kg, double asymmetric Cover PMMA. Luminous flux 9.450 lm, Power 1 x 63 W, System Efficiency 150 lm/W, Light colour neutral white, Correlated color temprature (CCT) 4.000 K, Colour rendering index CRI > 80, Rated life time L70/B50 at 25 °C: 60.000 h, Rated life time L80/B50 at 25 °C: 50.000 h, Housing material: Steel / Plastic, Colour: Silver structure, Permissible ambient temperature (ta): -20 °C - +25 °C, Protection class (EN 61140): II, Degree of protection (DIN EN 60529): IP20, shock resistance according to IEC62262: IK02 .With electronic driver, on/off switchable.

| Article data      |                             |
|-------------------|-----------------------------|
| Article no.       | 44032164                    |
| GTIN              | 4255752514152               |
| Series name       | BALI MEGA                   |
| Short description | LED track spotlight, on/off |
| Material          | Steel / Plastic             |
| Colour            | Silver                      |
| Type of surface   | Structure                   |
| Shape             | Rectangular                 |
| Length            | 587 mm                      |
| Width             | 124 mm                      |
| Hight             | 28 mm                       |
| Weight            | 2.140 kg                    |
| Conformance       | CE, UKCA                    |

**BALI MEGA LED track spotlight, on/off**

Article no. 44032164

| Lighting technology          |                   |
|------------------------------|-------------------|
| Colour temperature           | 4.000 K           |
| Light colour                 | White             |
| Light output                 | Direct            |
| Luminous flux                | 9,450 lm          |
| System efficiency            | 150 lm/W          |
| McAdam-Step                  | McAdam-Step 3     |
| Colour rendering             | CRI > 80          |
| Beam angle longitudinal      | 96°               |
| Beam angle transverse        | 83°               |
| Light sharing                | Double asymmetric |
| Adjustable color temperature | No                |

| Operating technology of the luminaire |  |
|---------------------------------------|--|
| System output                         | 63 W   |
| Voltage type                          | AC   |
| AC nominal voltage min                | 220 V  |
| AC nominal voltage max                | 240 V  |
| Frequency max                         | 60 Hz  |
| Frequency min                         | 50 Hz  |
| Lamp                                  | LED  |
| Lamp holder                           | LED  |
| Protection class                      | II   |
| Degree of protection                  | IP20   |
| Dimmable                              | No   |
| Control                               | on/off   |
| Bulb change possible                  | The light source of this luminaire may only be replaced by the manufacturer or a service technician commissioned by him or a similarly qualified person. |
| Rated life time L70/B50 at 25 °C      | 60,000 h   |
| Rated life time L80/B50 at 25 °C      | 50.000 h   |

| Mounting technology         |                         |
|-----------------------------|-------------------------|
| Mounting method             | Conductor rail mounting |
| Place of installation       | Ceiling-mounted         |
| Adjustability               | Not adjustable          |
| Rotation angle              | 355°                    |
| Impact resistance           | IK02                    |
| Material cover              | PMMA                    |
| Suitable for through-wiring | No                      |

| Packing data            |   |
|-------------------------|---|
| Gross weight            | 2.354 kg  |
| Length of packaging     | 895 mm  |
| Packaging width         | 180 mm  |
| Packaging height        | 185 mm  |
| Disposal at end of life | This product must not be disposed of with household waste. You are obliged, to dispose of such electrical waste separately.<br>By disposing of electrical waste and other old or defective electronics separately, you support recycling or other forms of re-use. In that way you help to take care and to avoid that harmful substances get into the environment. |