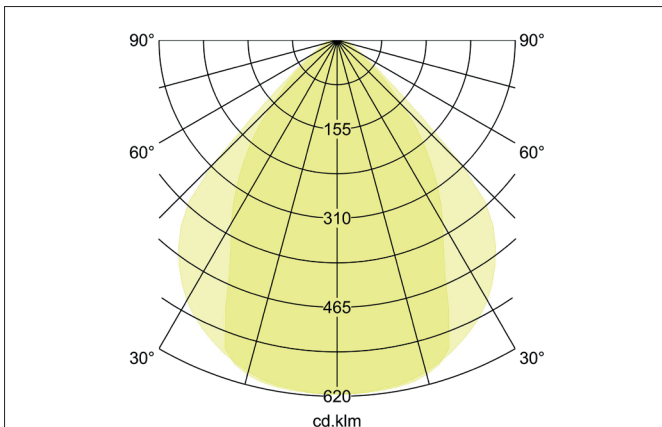
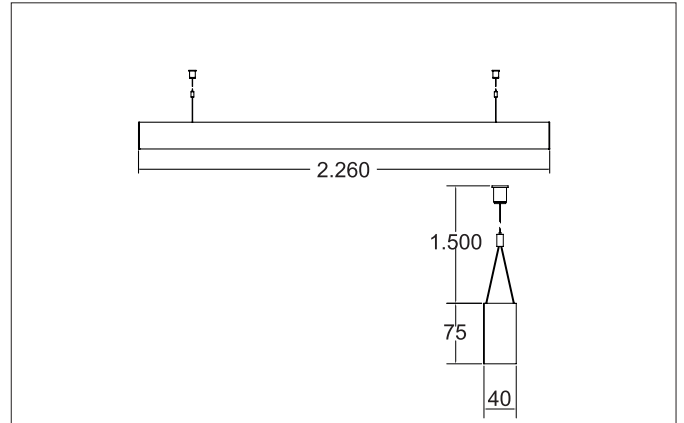


BIRO40 2.0 LED pendant profile luminaire direct
Article no. 7417122032



Tender
Rectangular LED pendant profile luminaire direct, luminaire length 2,260 mm, luminaire width 40 mm, height 75 mm, for pendant mounting. Pendant length max. 1,500 mm Weight 3.79 kg, with rotationally symmetrical narrow-wide beam light distribution. Plastic microprismatic cover, rated luminous flux 2,744 lm, UGR < 19, rated wattage 21 W, light color warm white, most similar color temperature (CCT) 3,000 K, general color rendering index CRI > 90, service life L80/B50 at 25 °C: 113,000 h, housing material: aluminum / steel / plastic, color: black structure, permissible ambient temperature (ta): -20 °C - +25 °C, protection class (EN 61140): I, degree of protection (DIN EN 60529): IP20. With electronic control gear, DALI-DT6 dimmable.

Article data	
Article no.	7417122032
GTIN	4255752517412
Series name	BIRO40 2.0
Short description	LED pendant profile luminaire direct
Material	Aluminium / Steel / Plastic
Colour	black structure
Type of surface	Structure
Shape	Rectangular
Length	2,260 mm
Width	40 mm
Hight	75 mm
Weight	3.79 kg
Conformance	CE, UKCA


BIRO40 2.0 LED pendant profile luminaire direct

Article no. 7417122032

Lighting technology	
Colour temperature	3.000 K
Light colour	white
Light output	Direct
Luminous flux	2,744 lm
System efficiency	131 lm/W
McAdam-Step	McAdam-Step 3
Colour rendering	CRI > 90
Reflector	Without
Glare evaluation	UGR < 19
Light sharing	Symmetric
Adjustable color temperature	No

Operating technology of the luminaire	
System output	21 W
Voltage type	AC
AC nominal voltage max	230 V
Frequency max	50 Hz
Lamp	LED
Lamp holder	Without fitting
Protection class	I
Protection class on the ceiling side	IP20
Degree of protection	IP20
Dimmable	Yes
Control	DALI-DT6
Bulb change possible	The light source of this luminaire may only be replaced by the manufacturer or a service technician commissioned by him or a similarly qualified person.
Rated life time L80/B50 at 25 °C	113.000 h
Energy efficiency class	nicht erforderlich

Mounting technology	
Mounting method	Suspended
Place of installation	Ceiling-mounted
Adjustability	Not adjustable
Pendulum length min.	500 mm
Pendulum length max.	1,500 mm
Number of cable suspensions	2
Material cover	Plastic, microprismatic

Packing data	
Gross weight	4.58 kg
Length of packaging	2,300 mm
Packaging width	160 mm
Packaging height	135 mm
Disposal at end of life	This product must not be disposed of with household waste. You are obliged, to dispose of such electrical waste separately. By disposing of electrical waste and other old or defective electronics separately, you support recycling or other forms of re-use. In that way you help to take care and to avoid that harmful substances get into the environment.