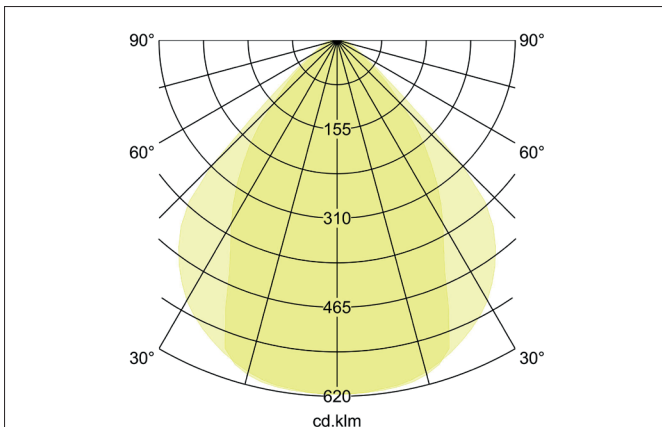
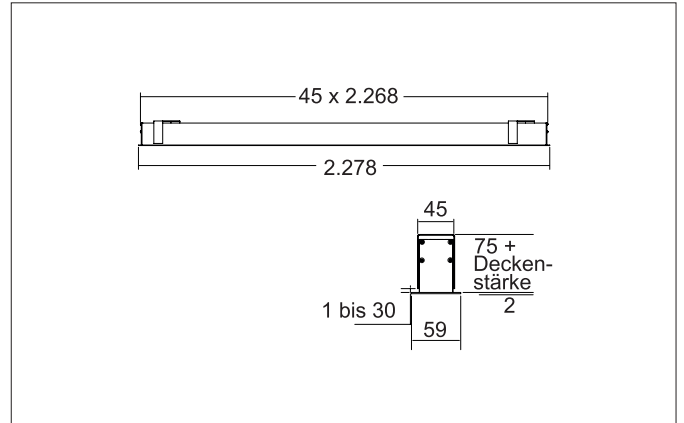




**BIRO40 2.0 LED recessed profile luminaire direct**  
 Article no. 7429172032



**Tender**  
 Rectangular LED recessed profile luminaire direct, ceiling cut-out installation depth mm, length 2,278 mm, width 40 mm, weight 3.79 kg, with rotationally symmetrical narrow-wide beam light distribution. Plastic microprismatic cover, rated luminous flux 2,882 lm, UGR < 19, rated wattage 24 W, light color warm white to daylight white, most similar color temperature (CCT) 2,700 - 6,500 K, general color rendering index CRI > 90, service life L80/B50 at 25 °C: 113,000 h, housing material: aluminum / steel / plastic, color: black structure, permissible ambient temperature (ta): -20 °C - +25 °C, protection class (EN 61140): I, degree of protection (DIN EN 60529): IP20. With electronic control gear, DALI-DT8 dimmable.

Article data	
Article no.	7429172032
GTIN	4255752516989
Series name	BIRO40 2.0
Short description	LED recessed profile luminaire direct
Material	Aluminium / Steel / Plastic
Colour	black structure
Type of surface	Structure
Shape	Rectangular
Length	2,278 mm
Width	40 mm
Hight	75 mm
Weight	3.79 kg
Conformance	CE, UKCA

**BIRO40 2.0 LED recessed profile luminaire direct**

Article no. 7429172032

Lighting technology	
Colour temperature	2.700 - 6.500 K
Light colour	white
Color Temperature 1	3,000 K
Color Temperature 2	4,000 K
Light output	Direct
Luminous flux	2,882 lm
Luminous flux 1	2,744 lm
Luminous flux 2	2,882 lm
System efficiency	120 lm/W
McAdam-Step	McAdam-Step 3
Colour rendering	CRI > 90
Reflector	Without
Glare evaluation	UGR < 19
Light sharing	Symmetric
Adjustable color temperature	Infinite control

Operating technology of the luminaire	
System output	24 W
Voltage type	AC
AC nominal voltage max	230 V
Frequency max	50 Hz
Lamp	LED
Lamp holder	Without fitting
Protection class	I
Protection class on the ceiling side	IP20
Degree of protection	IP20
Dimmable	Yes
Control	DALI-DT8
Bulb change possible	The light source of this luminaire may only be replaced by the manufacturer or a service technician commissioned by him or a similarly qualified person.
Rated life time L80/B50 at 25 °C	113.000 h
Energy efficiency class	nicht erforderlich

Mounting technology	
Mounting method	Recessed mounting
Place of installation	Ceiling-mounted
Adjustability	Not adjustable
Further references	No cover with thermal insulation material
Material cover	Plastic, microprismatic

Packing data	
Gross weight	4.58 kg
Length of packaging	2,300 mm
Packaging width	160 mm
Packaging height	135 mm
Disposal at end of life	This product must not be disposed of with household waste. You are obliged, to dispose of such electrical waste separately. By disposing of electrical waste and other old or defective electronics separately, you support recycling or other forms of re-use. In that way you help to take care and to avoid that harmful substances get into the environment.