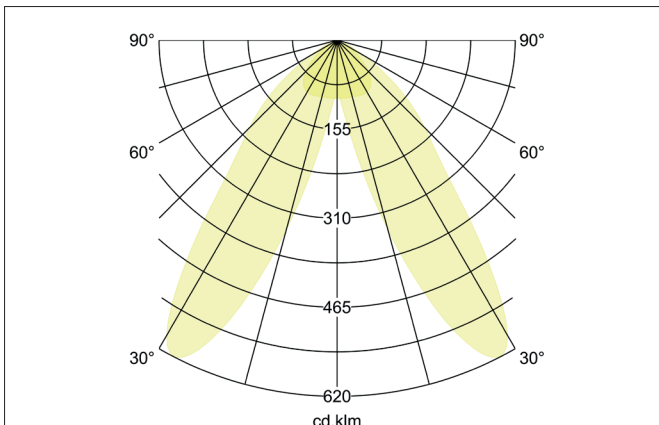
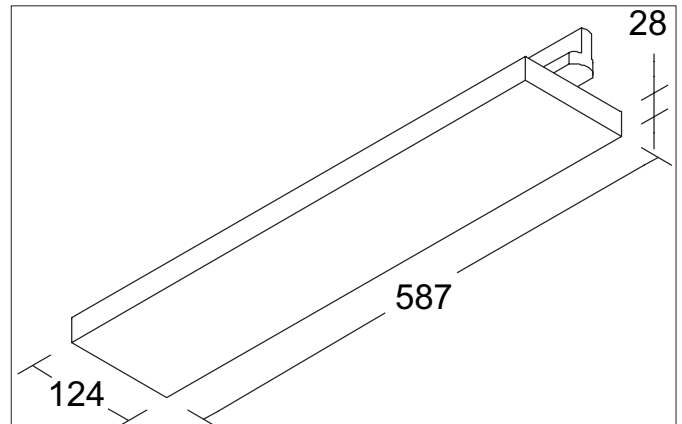


BALI MEGA LED track spotlight, DALI
 Article no. 44030184DA

Tender

LED track spotlight, DALI, Rectangular. Luminaire length 880.0 mm, Luminaire width 124.0 mm, Hight 80.0 mm Weight 2.14 kg, double asymmetric Cover PMMA. Luminous flux 9.450 lm, Power 1 x 63 W, System Efficiency 150 lm/W, Light colour neutral white, Correlated color temprature (CCT) 4.000 K, Colour rendering index CRI > 80, Rated life time L70/B50 at 25 °C: 60.000 h, Rated life time L80/B50 at 25 °C: 50.000 h, Housing material: Steel / Plastic, Colour: Black structure, Permissible ambient temperature (ta): -20 °C - +25 °C, Protection class (EN 61140): II, Degree of protection (DIN EN 60529): IP20, shock resistance according to IEC62262: IK02 .With electronic driver, DALI-2 dimmable.

Article data	
Article no.	44030184DA
GTIN	4255752515173
Series name	BALI MEGA
Short description	LED track spotlight, DALI
Material	Steel / Plastic
Colour	Black
Type of surface	Structure
Shape	Rectangular
Length	880 mm
Width	124 mm
Hight	80 mm
Weight	2.140 kg
Conformance	CE, UKCA

BALI MEGA LED track spotlight, DALI

Article no. 44030184DA

Lighting technology	
Colour temperature	4.000 K
Light colour	White
Light output	Direct
Luminous flux	9,450 lm
System efficiency	150 lm/W
McAdam-Step	McAdam-Step 3
Colour rendering	CRI > 80
Beam angle longitudinal	25°
Beam angle transverse	25°
Light sharing	Double asymmetric
Adjustable color temperature	No

Operating technology of the luminaire	
System output	63 W
Voltage type	AC
AC nominal voltage min	220 V
AC nominal voltage max	240 V
Frequency max	60 Hz
Frequency min	50 Hz
Lamp	LED
Lamp holder	LED
Protection class	II
Degree of protection	IP20
Dimmable	Yes
Control	DALI-2
Bulb change possible	The light source of this luminaire may only be replaced by the manufacturer or a service technician commissioned by him or a similarly qualified person.
Rated life time L70/B50 at 25 °C	60,000 h
Rated life time L80/B50 at 25 °C	50.000 h

Mounting technology	
Mounting method	Conductor rail mounting
Place of installation	Ceiling-mounted
Adjustability	Not adjustable
Rotation angle	355°
Impact resistance	IK02
Material cover	PMMA
Suitable for through-wiring	No

Packing data	
Gross weight	2.354 kg
Length of packaging	895 mm
Packaging width	180 mm
Packaging height	185 mm
Disposal at end of life	This product must not be disposed of with household waste. You are obliged, to dispose of such electrical waste separately. By disposing of electrical waste and other old or defective electronics separately, you support recycling or other forms of re-use. In that way you help to take care and to avoid that harmful substances get into the environment.