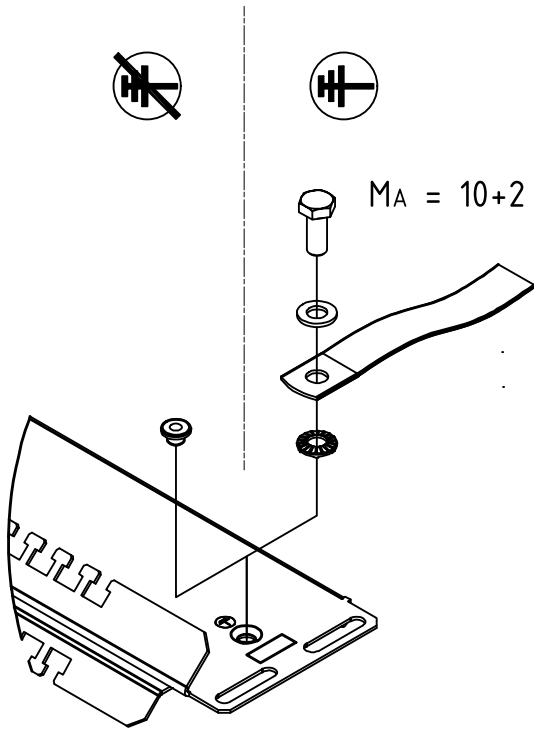


SW 13



$M_A = 10+2 \text{ Nm}$



VX

8618.820

8618.821

8618.822

8618.823

Raum für Verpackungsdatum
Area for date of packing
(MMJJTT / MMYDD)

4x



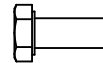
St5,5x13

4x



Ø7

1x



M8x20

1x



Ø8,4

1x

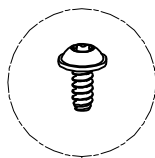


Ø8,2

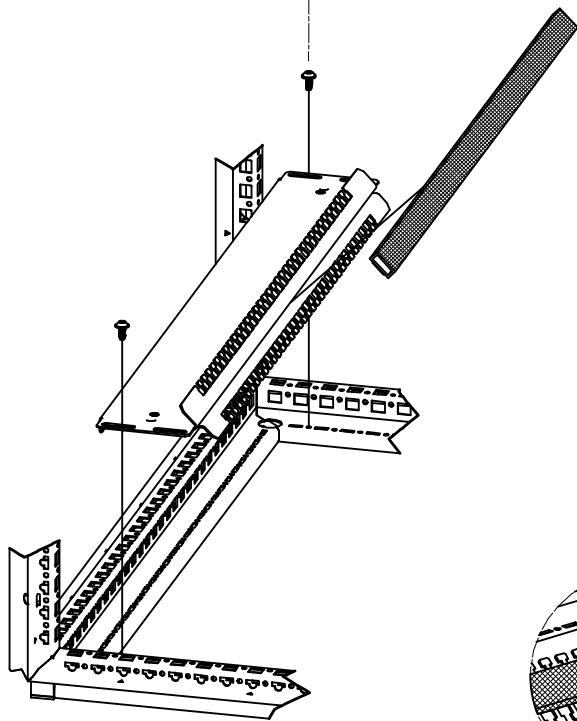
Zchng.-Nr. / No. of dwg. : A08768501VX
Versandbeutel-Nr. / No. of accessory bag : 375887

Lieferanten-Nr. / No. of supplier :

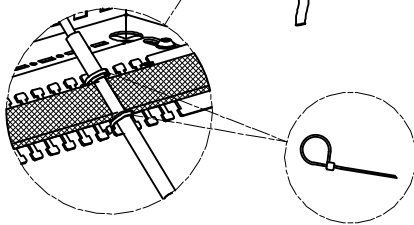
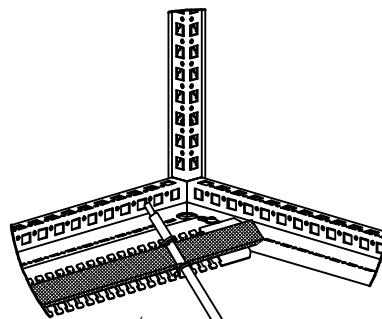
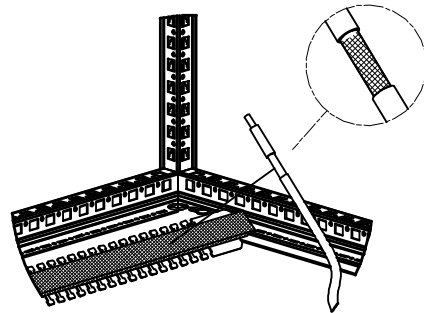
I



$M_A = 5 \text{ Nm}$



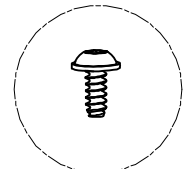
II



Tx 30



III



$M_A = 5 \text{ Nm}$

