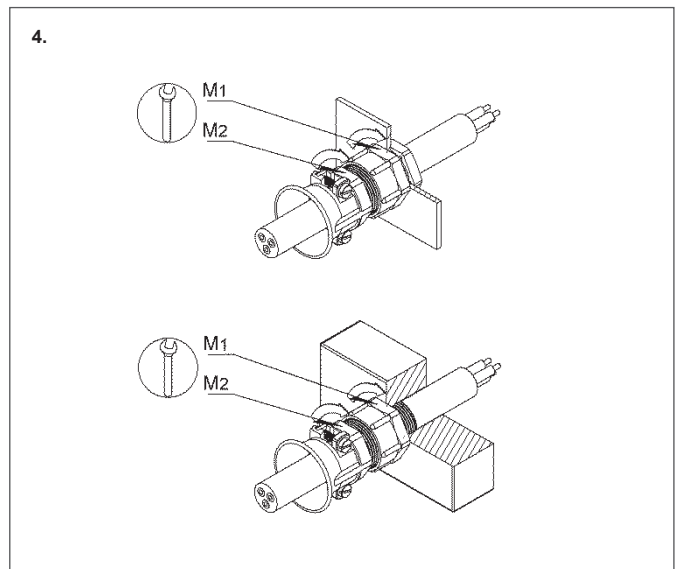
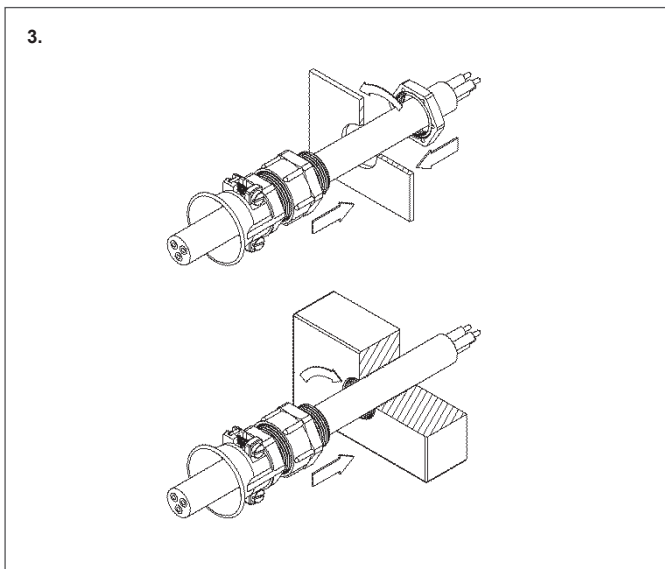
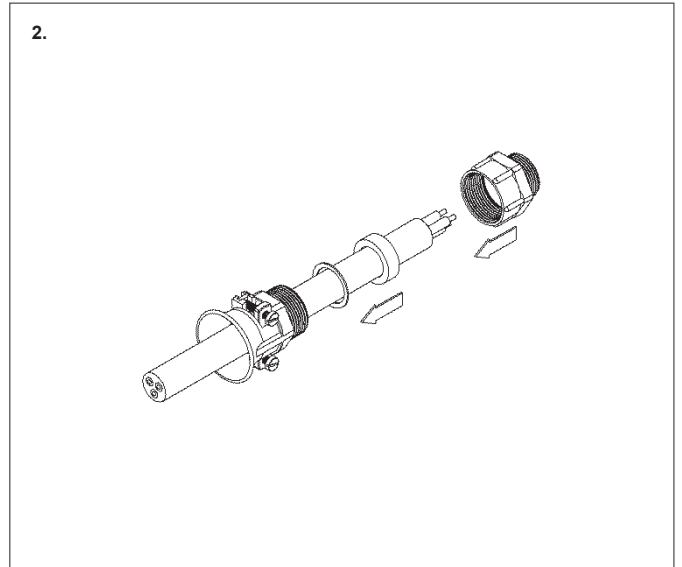


# 1230/..., 1230M/...



Artikel	M <sub>1</sub>	M <sub>2</sub>
...9, ...11, ...13	3,75 Nm	2,50 Nm
...16	5,00 Nm	3,30 Nm
...21, ...29	7,50 Nm	5,00 Nm