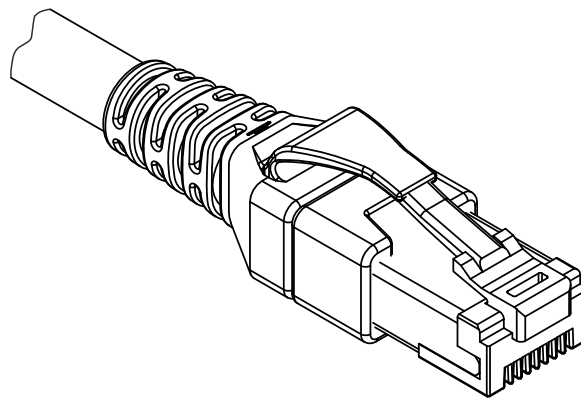


Technical Datasheet

EasyLan[®] Patch Cord DualBoot[®] Cat.6_A ISO/IEC

Article No. : see on page 3



i h g f e d c b a				drawn	14.09.2017	LP	 EasyLan[®] <i>...for a better connectivity</i>	
				appr.	14.09.2017	MJ		
		Änderung 02.11.2023 MW Änderung 13.01.2023 MW Änderung 17.10.2022 MW Änderung 26.10.2021 MW Änderung 08.10.2021 MW Änderung 17.02.2020 LP Änderung 22.08.2019 LP Änderung 11.06.2019 LP Neuerstellung 14.09.2017 LP		Titel: EasyLan[®] Patch Cord DualBoot[®] Cat.6_A ISO/IEC			Dimensions: mm	
	Index	Revision Code	Date	Name	Drawing Number: ZN-CU171139			Original: DIN A4
								Sheet 1 of 3

Technical Data

General Data	
Connection	1:1
Colors	white, black, gray, red, yellow, green, blue, turquoise, violet, orange
Identification possibility	Colorclips (Order No.: CPZHS7BOX)
Cable Characteristics	
Cable type	S/FTP
Number twisting elements	4P+1
Twisting elements	Pair
Configuration	LSHF (LSOH) acc. EN50290-2-27
Braid	AWG26/7
Category	Cat. 6 _A ISO/IEC
Shielding	shielded
Connector Characteristics	
Housing material	Polycarbonate
Pin plating	Au (Gold)
Environmental Conditions	
Temperature range during operation	-25°C to + 60°C
Temperature range during installation	0°C to + 50°C
Approvals	
RoHS	conform
Standards	
General requests	ISO/IEC 11801 Ed.2.2: 2011-06 DIN EN 50173-1: 2011-09 TIA/EIA 568-C.2 DIN EN IEC 60332-3-24
Plug	DIN EN 60603-7
Transmission Characteristics	
Category (ISO)	6 _A
Category (TIA)	6 _A
Remote powering	yes
PoE	IEEE 802.3af
PoE +	IEEE 802.3at
PoE ++	IEEE 802.3bt
UPoE	yes
HDBaseT	yes
Bit rate up to 10 GBit	IEEE 802.3an

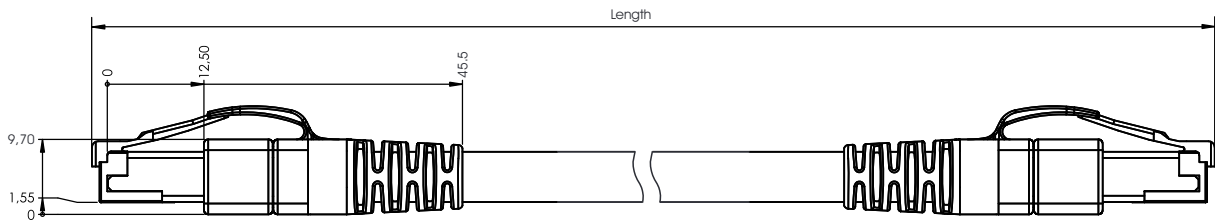
All rights reserved ZVK GmbH D-94244 Teisnach Technologiecampus 2 Germany Phone: +49 9923 804379-0 Fax: +49 9923 804379-50 www.zvk-gmbh.de all data without guarantee

i h g f e d c b a	Änderung	02.11.2023	MW	drawn	14.09.2017	LP	 EasyLan [®] ...for a better connectivity	
	Änderung	13.01.2023	MW	appr.	14.09.2017	MJ		
	Änderung	17.10.2022	MW	Titel: EasyLan[®] Patch Cord DualBoot[®] Cat.6_A ISO/IEC				
	Änderung	26.10.2021	MW					
Änderung	08.10.2021	MW	Drawing Number: ZN-CU171139					
Änderung	17.02.2020	LP					Dimensions: mm Original: DIN A4 Sheet 2 of 3	
Änderung	22.08.2019	LP						
Änderung	11.06.2019	LP						
Neuerstellung	14.09.2017	LP						
Index	Revision Code	Date					Name	

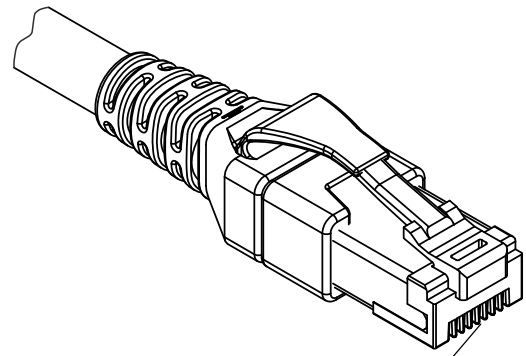
Technical Data

Electrical Characteristics	
Loop resistance	290 Ω/km
Insulation resistance	≥ 5000 MΩ*km
Characteristic impedance	100 ± 3Ω
Propagation delay	10ns / 100m
Packaging Unit	0,1 m - ≤5,0 m = 5 pcs >5,0 m = 1 pc

Drawing



Color	Order No.
white	CP1OWAWAWxxxx*
black	CP1OSASASxxxx*
gray	CP1OAAAAAxxxx*
red	CP1ORARARxxxx*
yellow	CP1OYAYAYxxxx*
green	CP1OGAGAGxxxx*
blue	CP1OBABABxxxx*
turquoise	CP1OTATATxxxx*
violet	CP1OVAVAVxxxx*
orange	CP1OOAOAOxxxx*



Dimensions RJ45 according to IEC 60603-7

*Length in dm (xxxx)
e.g. 0010 = 1 m

i h g f e d c b a	Änderung Änderung Änderung Änderung Änderung Änderung Änderung Änderung Neuerstellung	02.11.2023 13.01.2023 17.10.2022 26.10.2021 08.10.2021 17.02.2020 22.08.2019 11.06.2019 14.09.2017	MW MW MW MW LP LP LP LP	drawn	14.09.2017	LP	 EasyLan [®] ...for a better connectivity
				appr.	14.09.2017	MJ	
Titel: EasyLan[®] Patch Cord DualBoot[®] Cat.6_A ISO/IEC				Dimensions: mm			
Drawing Number: ZN-CU171139				Original: DIN A4			
Index	Revision Code	Date	Name	Sheet 3 of 3			