

# Technical Datasheet

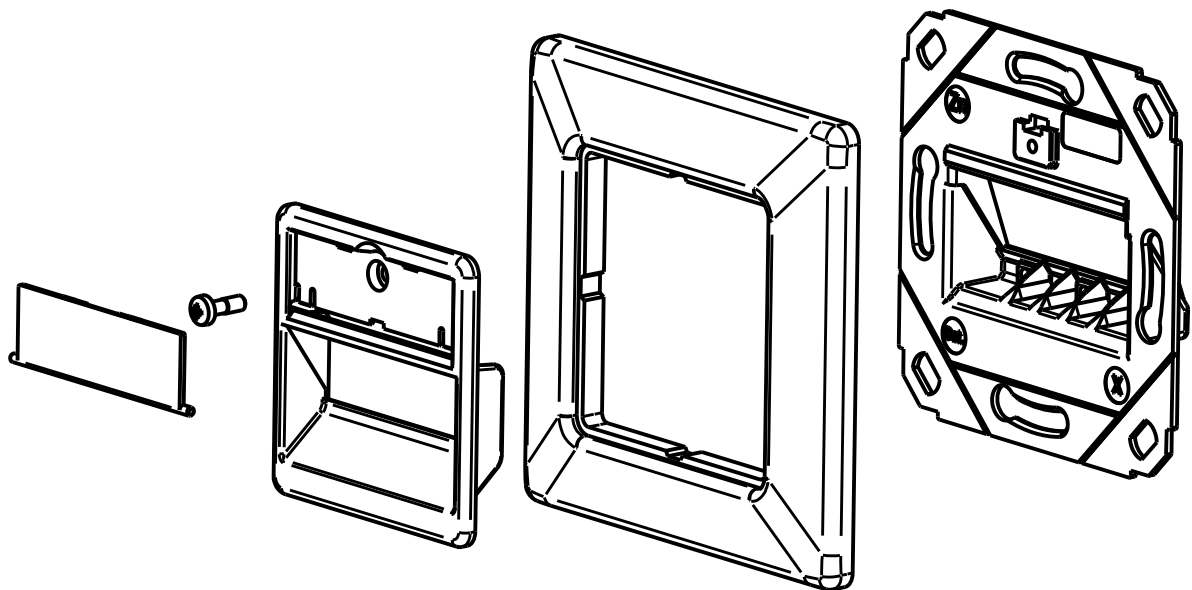
## *Data Outlet SL for until 3 Keystones with central plate 50x50mm and frame 80x80mm*


**Article No. :**

**Singel: CKVDUSL1R**

**Double: CKVDUSL2R**

**Triple: CKVDUSL3R**



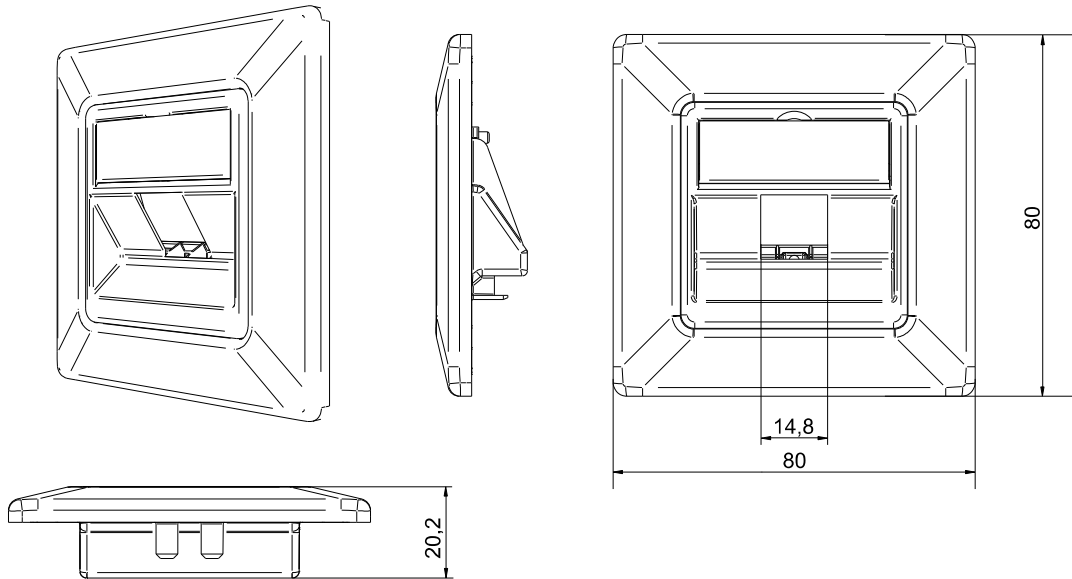
c b a	Änderung Änderung Neuerstellung	03.06.2024 24.01.2023 22.02.2016	MW MW MJ	drawn	22.02.2016	MJ	 <b>EasyLan</b> <sup>®</sup> ...for a better connectivity		
				appr.	22.02.2016	GF			
				Titel: Data Outlet SL for until 3 Keystones, with central plate 50x50mm and frame 80x80mm				Dimensions: mm	
				Drawing number: <b>ZN-BL161015</b>				Original: DIN A4	
Index	Revision code	Date	Name				Sheet 1 of 3		


# Technical Data

<b>Materials</b>	
frame	zinc diecast
screw	M2,5x5 mm steel
central plate	ASA white (RAL9010)
frame	ASA white (RAL9010)
<b>Fitting Modules (ZVK)</b>	
fixLink SL Keystone Cat.6 <sub>A</sub> ISO/IEC	Ordering code: CKFAK001 / CKFAKFL1
fixLink SL Keystone Cat.6 <sub>A</sub> ISO/IEC, angled	Ordering code: CKWAK07 / CKWAKFL7
fixLink Pro Keystone Cat.6 <sub>A</sub> ISO/IEC	Ordering code: CKFAK002 / CKFAKFL2
fixLink Pro+ Keystone Cat.8.1 ISO/IEC	Ordering code: CKFAK002P+
preLink SL Keystone Cat.6 <sub>A</sub> ISO/IEC	Ordering code: CKPAS011 / CKPAS021
preLink SL Keystone Cat.6 <sub>A</sub> ISO/IEC, angled	Ordering code: CKWAS011 / CKWAS021

## Drawing

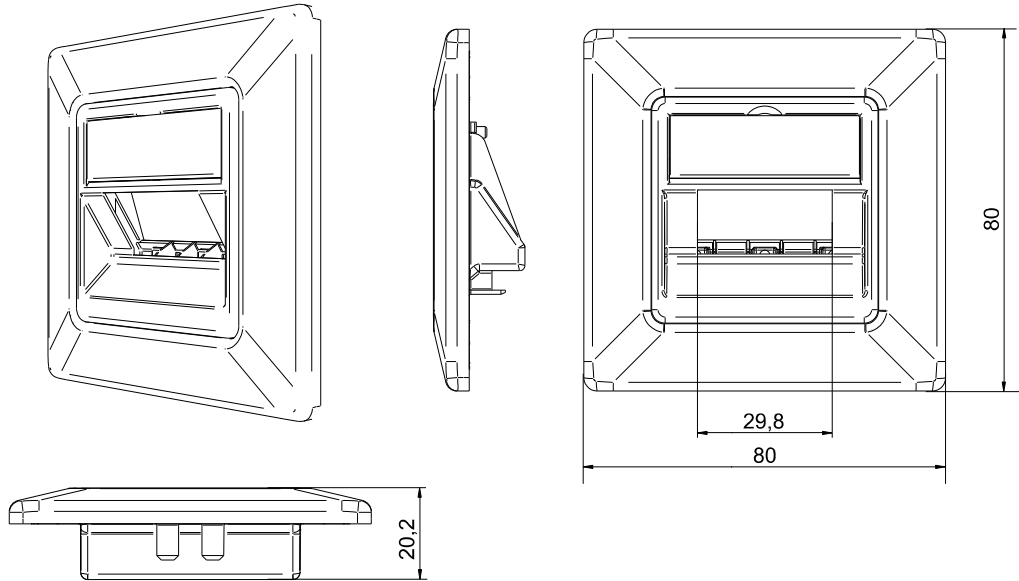
### Single



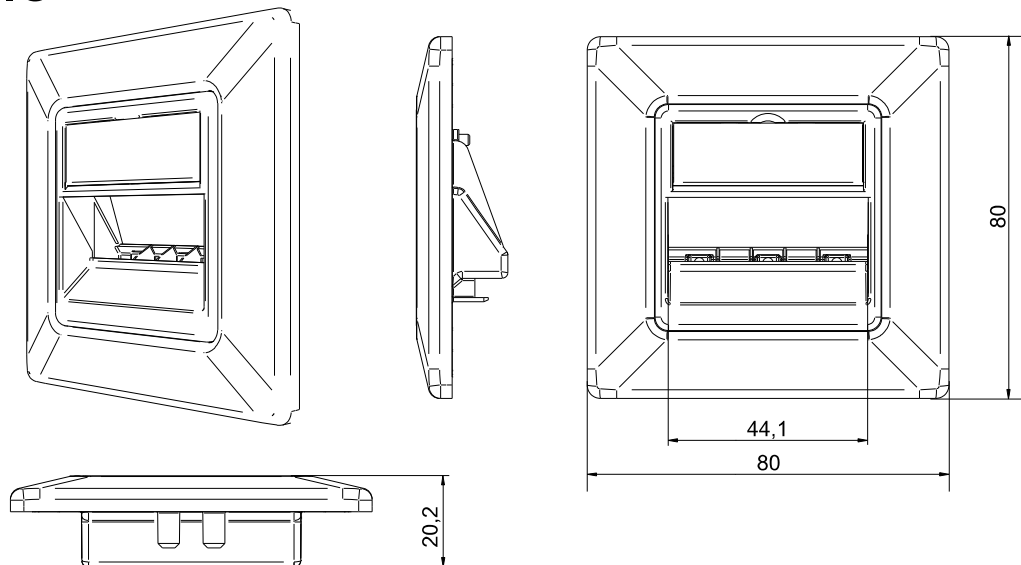
c b a	Änderung Änderung Neuerstellung	03.06.2024 24.01.2023 22.02.2016	MW MW MJ	drawn	22.02.2016	MJ	 <b>EasyLan</b> <sup>®</sup> ...for a better connectivity	
				appr.	22.02.2016	GF		
				Titel: Data Outlet SL for until 3 Keystones, with central plate 50x50mm and frame 80x80mm				Dimensions: mm
				Drawing number: <b>ZN-BL161015</b>				Original: DIN A4
Index	Revision code	Date	Name				Sheet 2 of 3	


# Drawing

## Double



## Triple



c b a	Änderung Änderung Neuerstellung	03.06.2024 24.01.2023 22.02.2016	MW MW MJ	drawn	22.02.2016	MJ
				appr.	22.02.2016	GF
				Titel: Data Outlet SL for until 3 Keystones, with central plate 50x50mm and frame 80x80mm Drawing number:		
				<b>ZN-BL161015</b>		
Index	Revision code	Date	Name	 <b>EasyLan</b> <sup>®</sup> ...for a better connectivity		
Dimensions: mm						
Original: DIN A4						
				Sheet 3 of 3		