


Technical Data

Connector Standard	IEC 60603-7-51
Mechanical Characteristics	
Life (RJ45 mating cycles)	≥ 750
Insertion force	≤ 30N
Conductor diameter	massiv / solid 0,51-0,65 mm / AWG 24/1 - AWG 22/1
Insulation diameter	5 - 9 mm
Reusable (Module)	≤ 5 cycles with the same diameter
EC Directive 2002/95/EC (RoHS)	RoHS-compliant
Design compatibility	yes
Keystone format	yes
Materials	
Housing	zinc diecast
Standard dust cover	inklusive
Strain-relief sliver	zinc diecast
Surface	nickel plated
Shield spring	stainless steel
PCB	FR-4
PCB finish	HAL lead-free
Contacts	spring steel
Contact finish	1,27 µm / 30µin Au
Insulation housing	PA light green (RAL 6027)
Contact support plate	PC yellow (RAL 1021)
Dust protection Cover	PC clear
IDC	CuNi2Si
IDC finish	min. 3-6 µm (120-240µin) Sn
Panel spring	die-cast zinc
Transport lock	bioplastic
Protection class	IP20
Electrical Characteristics	
Contact resistance	≤ 20 mΩ
Insulation resistance	≥ 500 MΩ
Voltage proof - contact-contact	≥ 1000 V (DC)
Voltage proof - contact-shield	≥ 1500 V (DC)
Current carrying capacity at 50°C	1,25 A
Shielded	yes
PoE (IEEE 802.af) 15,4W	adequate
PoE+ (IEEE 802.3at) 30W	adequate
PoE++ / 4PPoE (IEEE 802.3bt) bis 100W	adequate
Transfer Impedance at 1 MHz	≤ 100 mΩ
Transfer Impedance at 10 MHz	≤ 200 mΩ
Transfer Impedance at 80 MHz	≤ 1600 mΩ

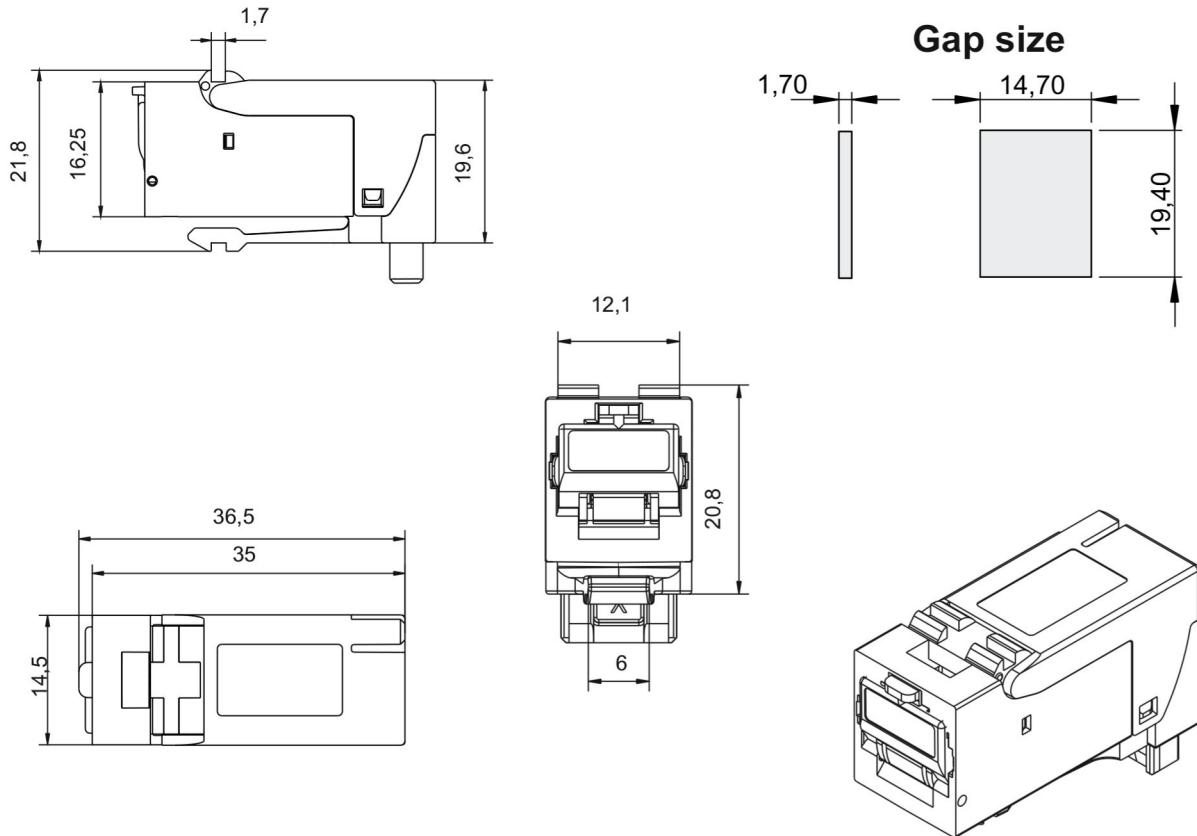
All rights reserved ZVK GmbH D-94244 Teisnach Technologicampus 2 Germany Phone: +49 9923 804379-0 Fax: +49 9923 804379-50 www.zvk-gmbh.de all data without guarantee

g f e d c b a	changing	14.07.2025	TG	drawn	20.10.2015	MJ		
	changing	24.01.2023	MW	appr.	21.10.2015	GF		
	changing	03.11.2022	MW	Titel: fixLink[®] SL Cat. 6_A ISO/IEC AWG 24 - AWG 22				
	changing	01.10.2020	LP	Drawing number: ZN-CU151082				
	PoE überarbeitet	17.07.2017	MJ	Dimensions: mm Original: DIN A4 Sheet 2 of 4				
	Bestellcode	09.03.2017	GF					
	Neuerstellung	20.10.2015	MJ					
Index	Revision code	Date	Name					

Technical Data

Environmental Requirements	
Particulate ingress	IP2X
Water ingress	IPX0
Ambient temperature	-40°C to +85°C
Packaging material	bio-degradable
Transmission Performance	
10 Gigabit Ethernet acc. to IEEE 802.3an	adequate
GHMT PVP	certified
GHMT approved (PoE type III / IV)	DIN IEC 60512-99-001:2015 & DIN IEC 60512-9-3:2010
Categorie 6	ISO/IEC 11801
Categorie 6 _A	ISO/IEC 11801; EIA/TIA 568; DIN EN 50173-1
Class EA	acc. ISO/IEC 11801 Amendment 1/2 typical link length > 2 m, in combination with a CP-cable: CP-Link typ. > 10 m 10 GbE is supported

Drawing



All rights reserved ZVK GmbH D-94244 Teisnach Technologiecampus 2 Germany Phone: +49 9923 804379-0 Fax: +49 9923 804379-50 www.zvk-gmbh.de all data without guarantee

	drawn	20.10.2015	MJ
	appr.	21.10.2015	GF
	Titel:		
	fixLink® SL Cat. 6 _A ISO/IEC		
	AWG 24 - AWG 22		
	Drawing number:		
	ZN-CU151082		
g	changing	14.07.2025	TG
f	changing	24.01.2023	MW
e	changing	03.11.2022	MW
d	changing	01.10.2020	LP
c	PoE überarbeitet	17.07.2017	MJ
b	Bestellcode	09.03.2017	GF
a	Neuerstellung	20.10.2015	MJ
Index	Revision code	Date	Name

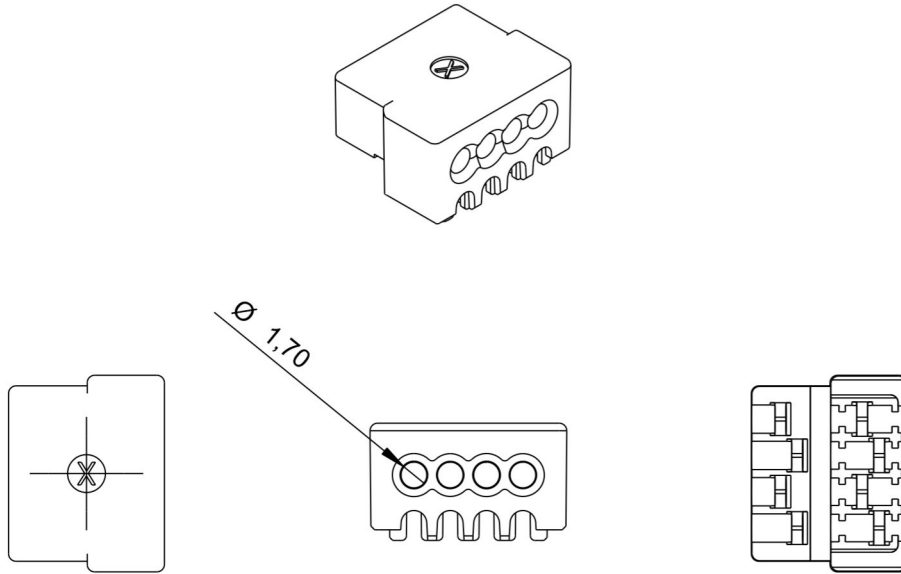


Dimensions: mm

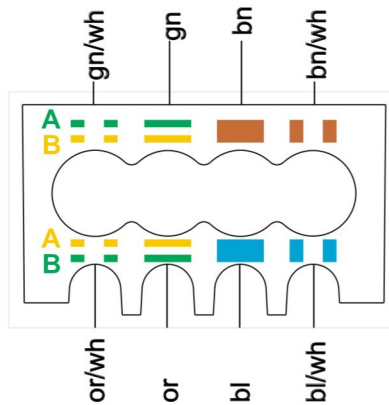
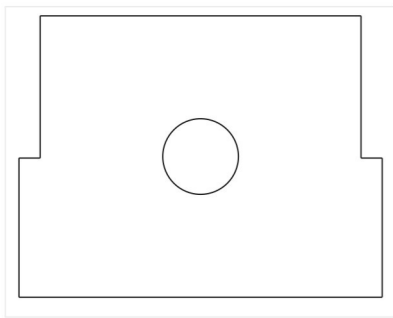
Original: DIN A4

Sheet 3 of 4

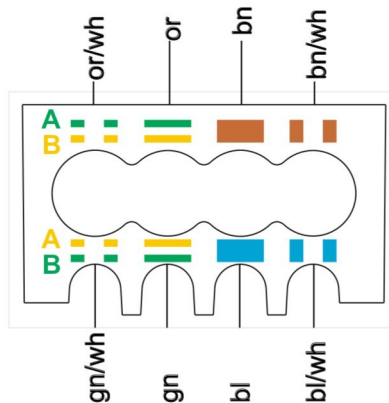
Drawing




Configuration



Configuration to
TIA/EIA 568 A



Configuration to
TIA/EIA 568 B

				drawn	20.10.2015	MJ
				appr.	21.10.2015	GF
				Titel: fixLink[®] SL Cat. 6_A ISO/IEC AWG 24 - AWG 22		
				Drawing number: ZN-CU151082		
g	changing	14.07.2025	TG			
f	changing	24.01.2023	MW			
e	changing	03.11.2022	MW			
d	changing	01.10.2020	LP			
c	PoE überarbeitet	17.07.2017	MJ			
b	Bestellcode	09.03.2017	GF	Dimensions: mm		
a	Neuerstellung	20.10.2015	MJ	Original: DIN A4		
Index	Revision code	Date	Name	Sheet 4 of 4		



Dimensions: mm

Original: DIN A4

Sheet 4 of 4