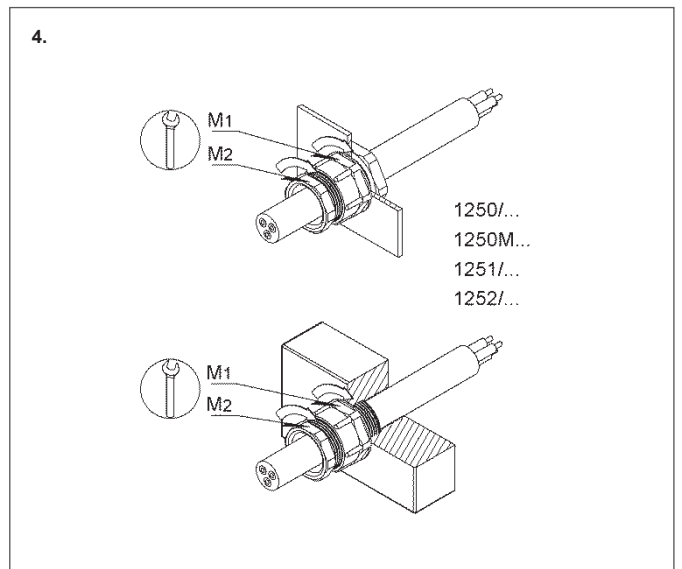
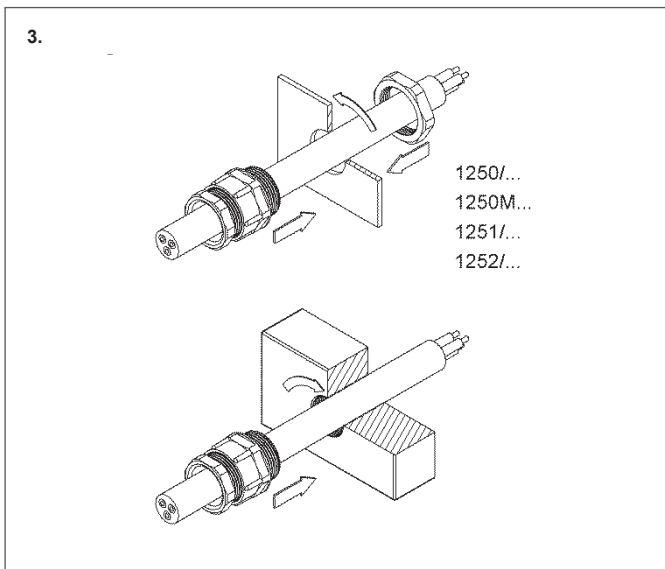
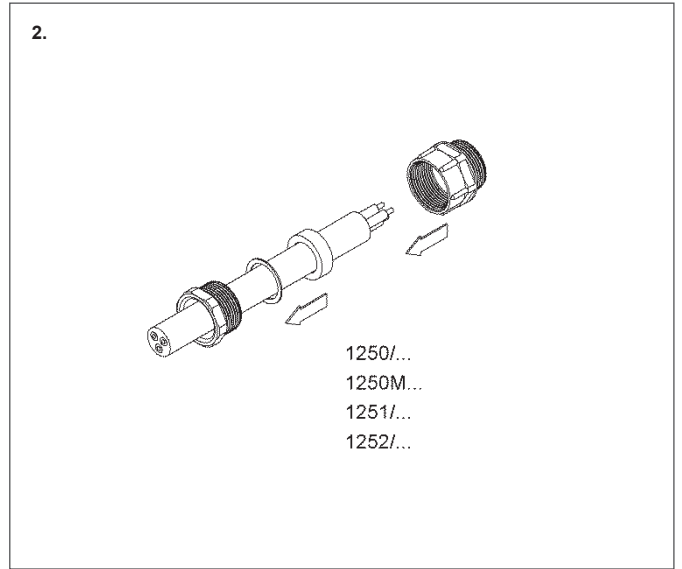
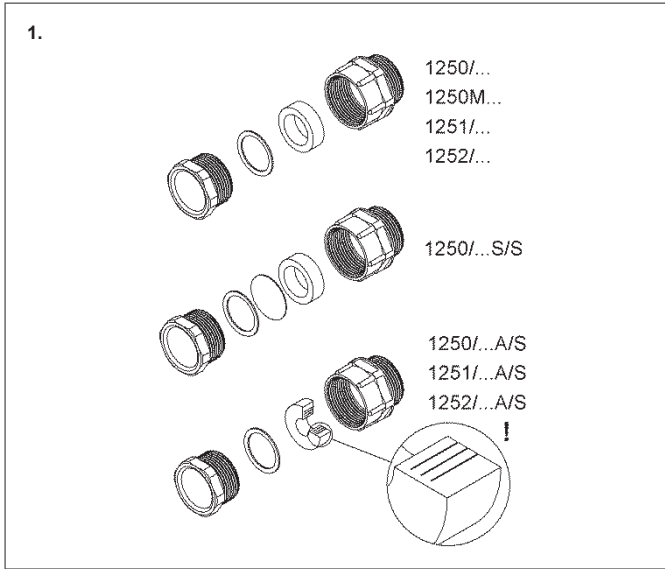


1250/..., 1250M/..., 1251/..., 1252/...



Artikel	M ₁	M ₂
...7	2,50 Nm	1,65 Nm
...9, ...11, ...13	3,75 Nm	2,50 Nm
...16	5,00 Nm	3,30 Nm
...21, ...29, ...36, ...42, ...48	7,50 Nm	5,00 Nm