

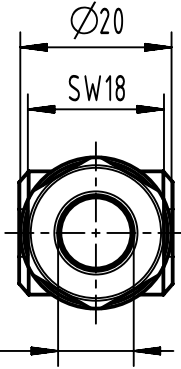
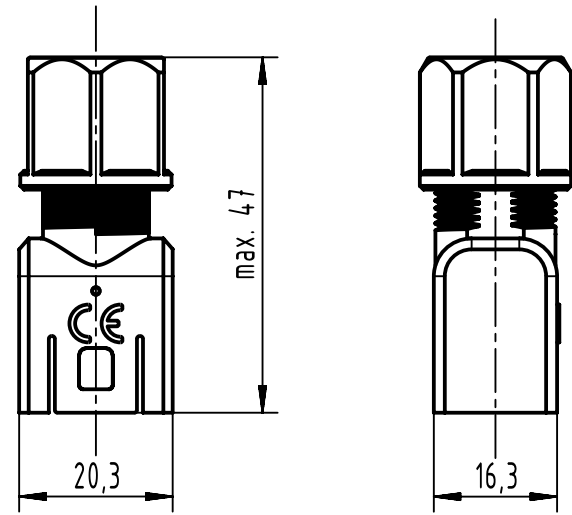
1 2 3 4 5 6

A

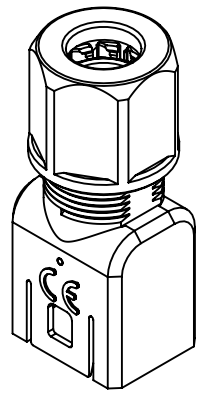
B

C

D



cable
 \varnothing min. 5,7
 \varnothing max. 10



	All Dimensions in mm Original Size DIN A4	Scale	Free size tol.		Ref.	
		1:1			Sub.	
	All rights reserved Department EL PD	Created by	Inspected by	Standardisation	Date	State
		hollert	riepe		16-Apr-2025	40 - Released
HARTING D-32339 Espelkamp		Title Han 1A-back shell 5,7-10mm				Doc-Key / ECM-Nr. DS00201870
		Type	Design Number	SAP Mat. Number	Rev.	Page
TB	DS00201870	09100000400	F	1/1		