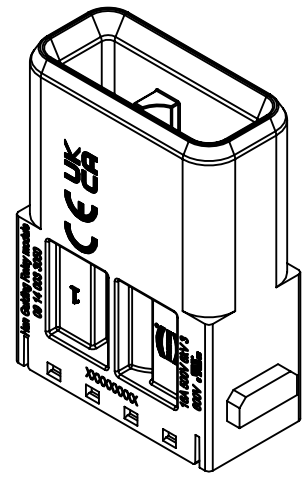
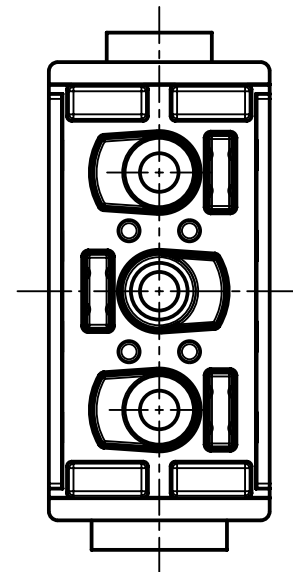
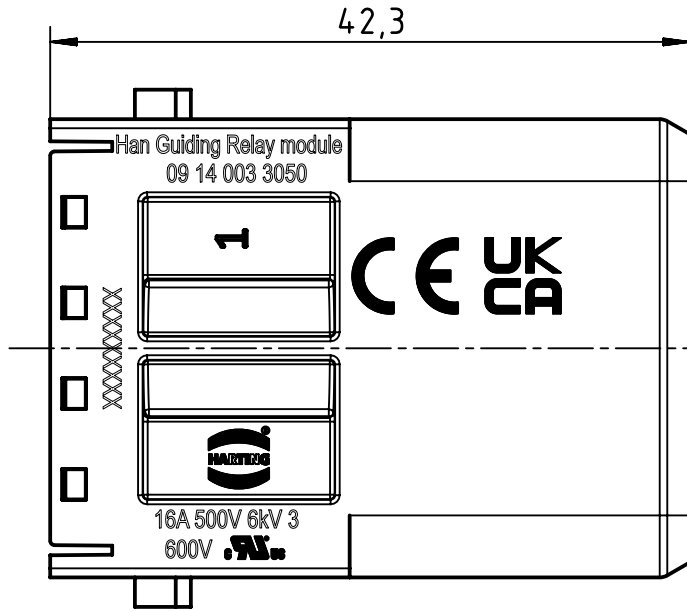
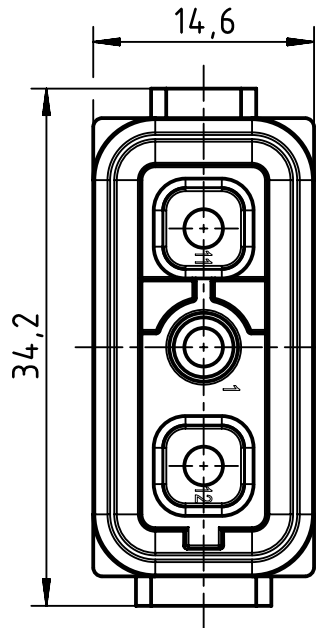


A

B

C

D



Guiding / Centering ± 4 mm

| | | | | | | | |
|------------------------------|--|--|---|-----------------------------|--------------------------------|---------------------|---------------------------------|
| | All Dimensions in mm Original Size DIN A4 | | Scale 2:1 | Free size tol. | | Ref. | |
| | | | | | | Sub. | |
| | All rights reserved | | Created by longl | Inspected by wangst | Standardisation | Date 04-Jun-2025 | State 40 - Released |
| | Department EL PD | | Title Han Guiding Dummy module, Male | | | | Doc-Key / ECM-Nr. DS00202769 |
| HARTING D-32339 Espelkamp | | | Type TB | Design Number DS00202769 | SAP Mat. Number 09140033050 | Rev. B | Page 1/1 |